

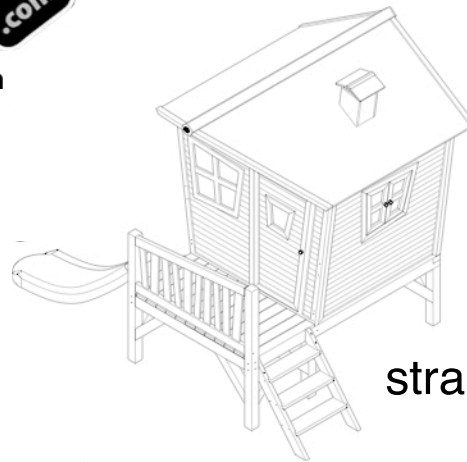


www.axi.com

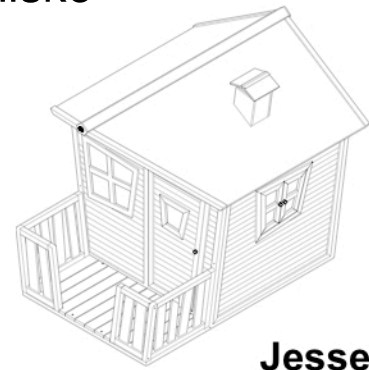
AXI.COM

Otroške vrtno hiške

Navodila za uporabo
Shranite navodila za
kasnejšo uporabo

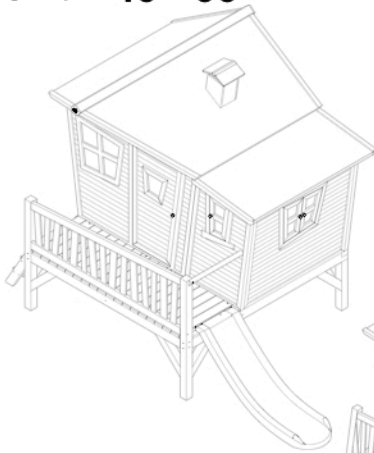


Iris
stran 15 - 30

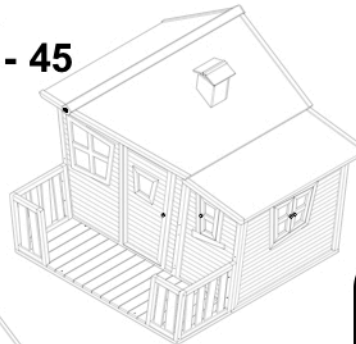


Jesse
stran 3 - 14

Emma
stran 46 - 66



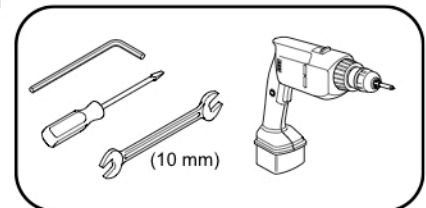
Lisa
stran 31 - 45



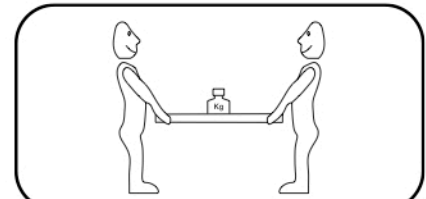
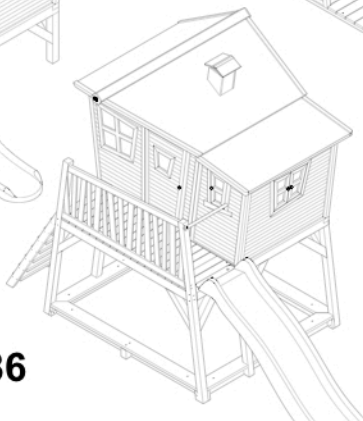
AXI 04

AXI 05

patentiran izdelek



Max
stran 66 - 86



3-7



0-3



OPOZORILO

Možnost zadušitve z
majhnimi deli
Ni primerno za otroke pod
36 mesecm starosti



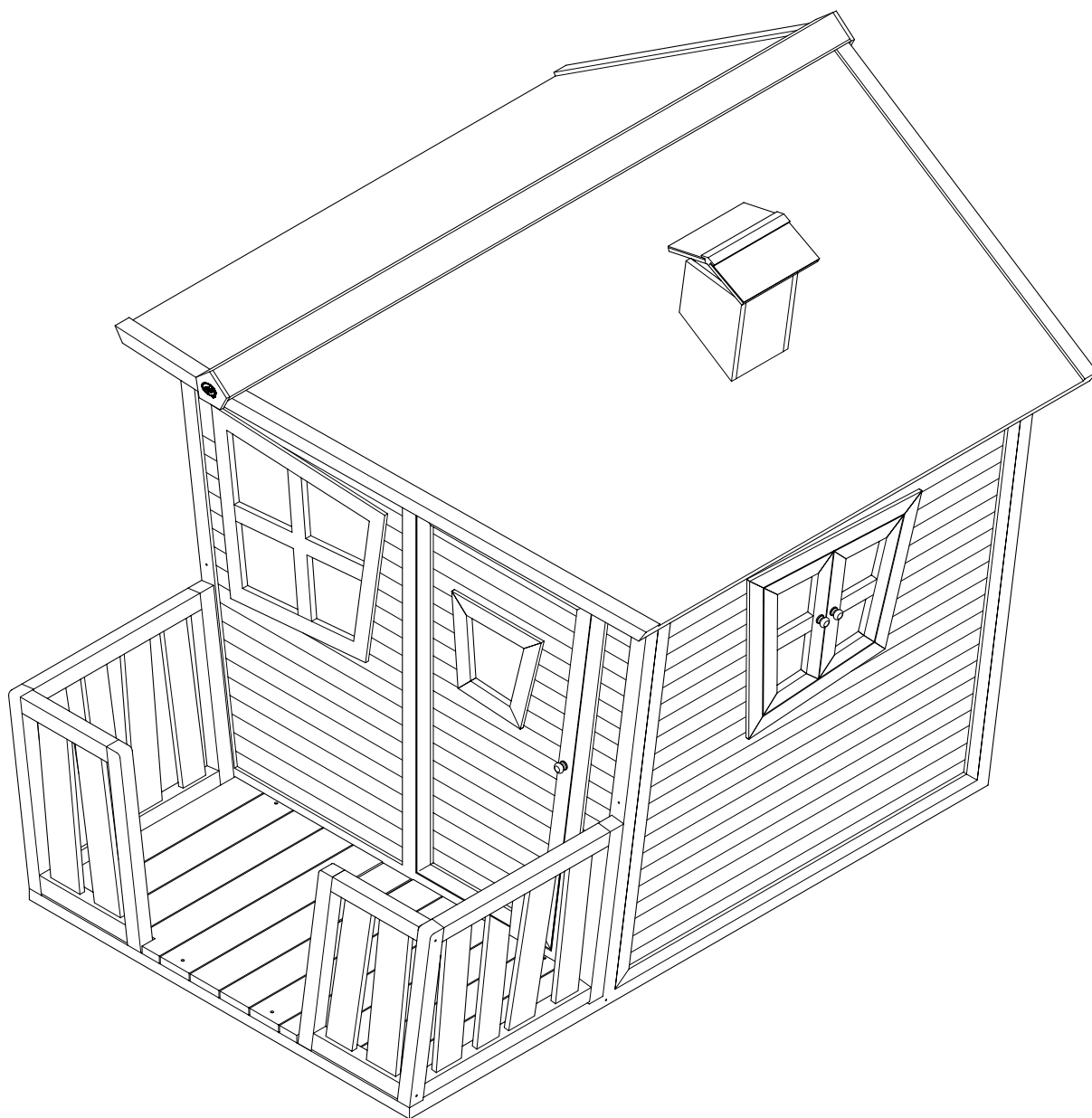
OPOZORILO

Igračo mora sestaviti
odrasla oseba



OPOZORILO

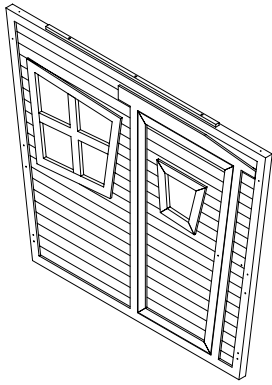
Nesestavljeni deli (ostri robi)
so lahko nevarni za otroke.
Prosim ne dovolite, da so otroci
prisotni pri sestavljanju in da
so v času sestavljanja na varnem.



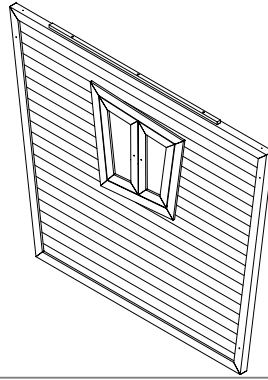


Jesse

A030.111.00



1

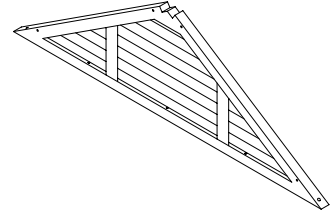


3



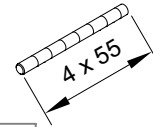
4

14x



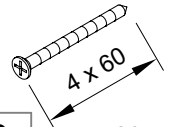
5

2x



t1

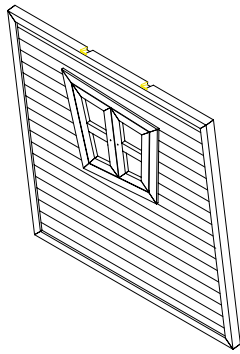
7x



s2

26x

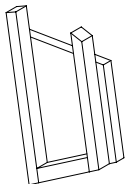
A030.112.00



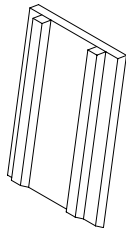
2

2x

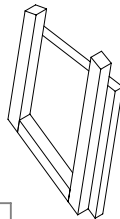
A030.113.00



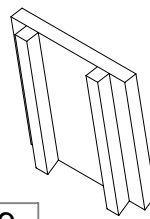
16



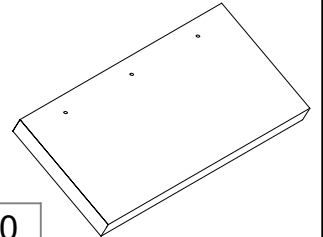
17



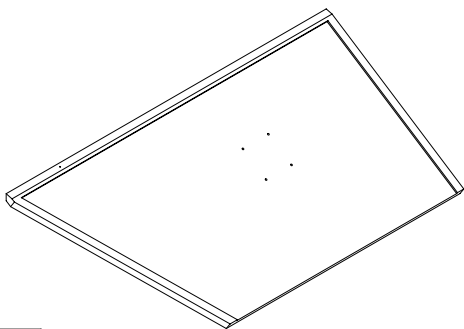
18



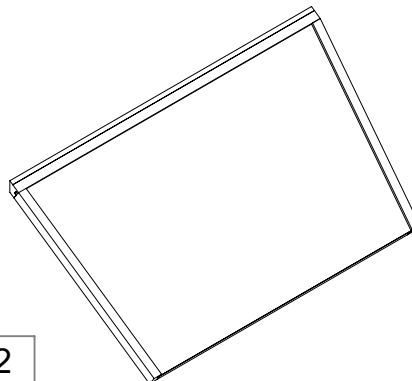
19



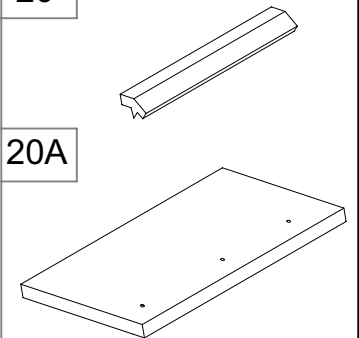
20



21

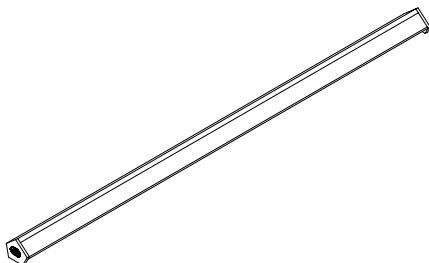


22

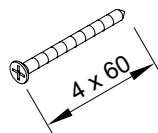


20A

20

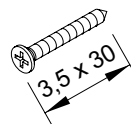


23



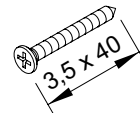
s2

8x



s3

16x



s4

15x



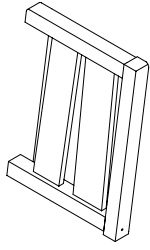
s6

64



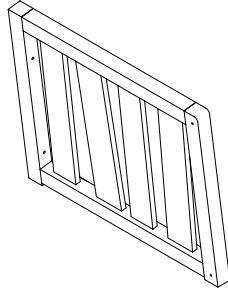
Jesse

A030.114.00

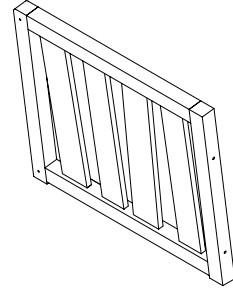


6

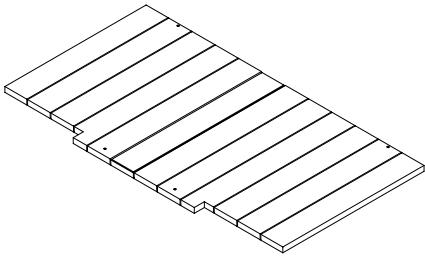
2x



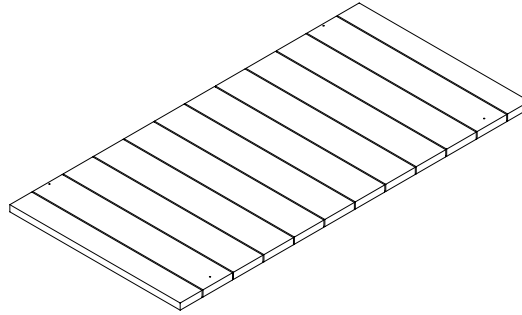
7



8



9

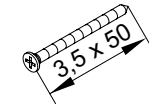
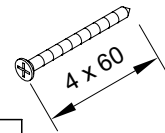


15

2x

s2

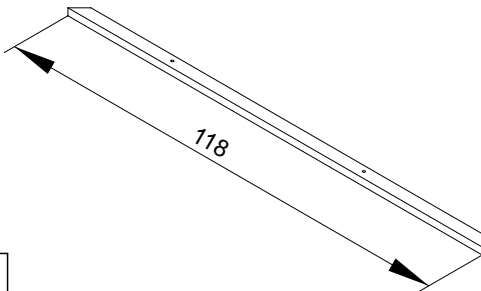
12x



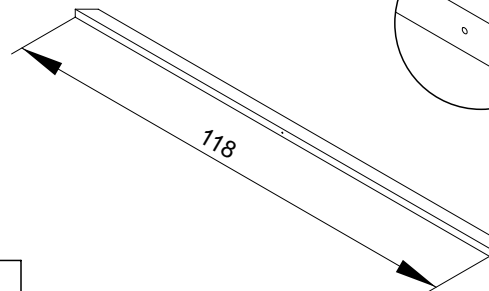
s1

12x

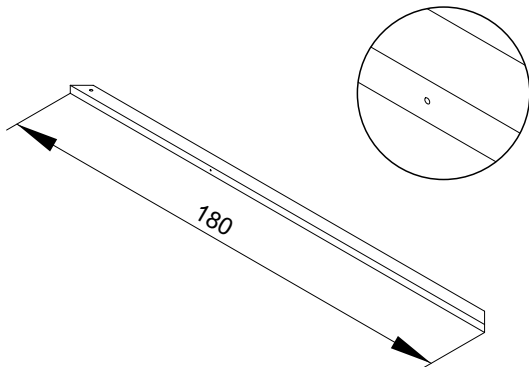
A030.141.00



1

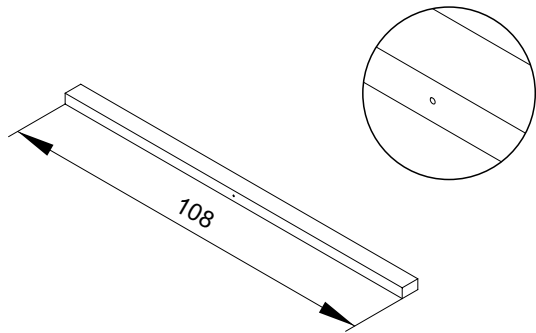


2

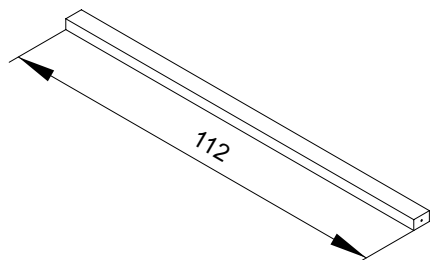


3

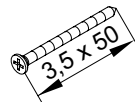
2x



4

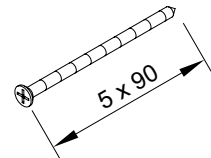


5



s1

8x

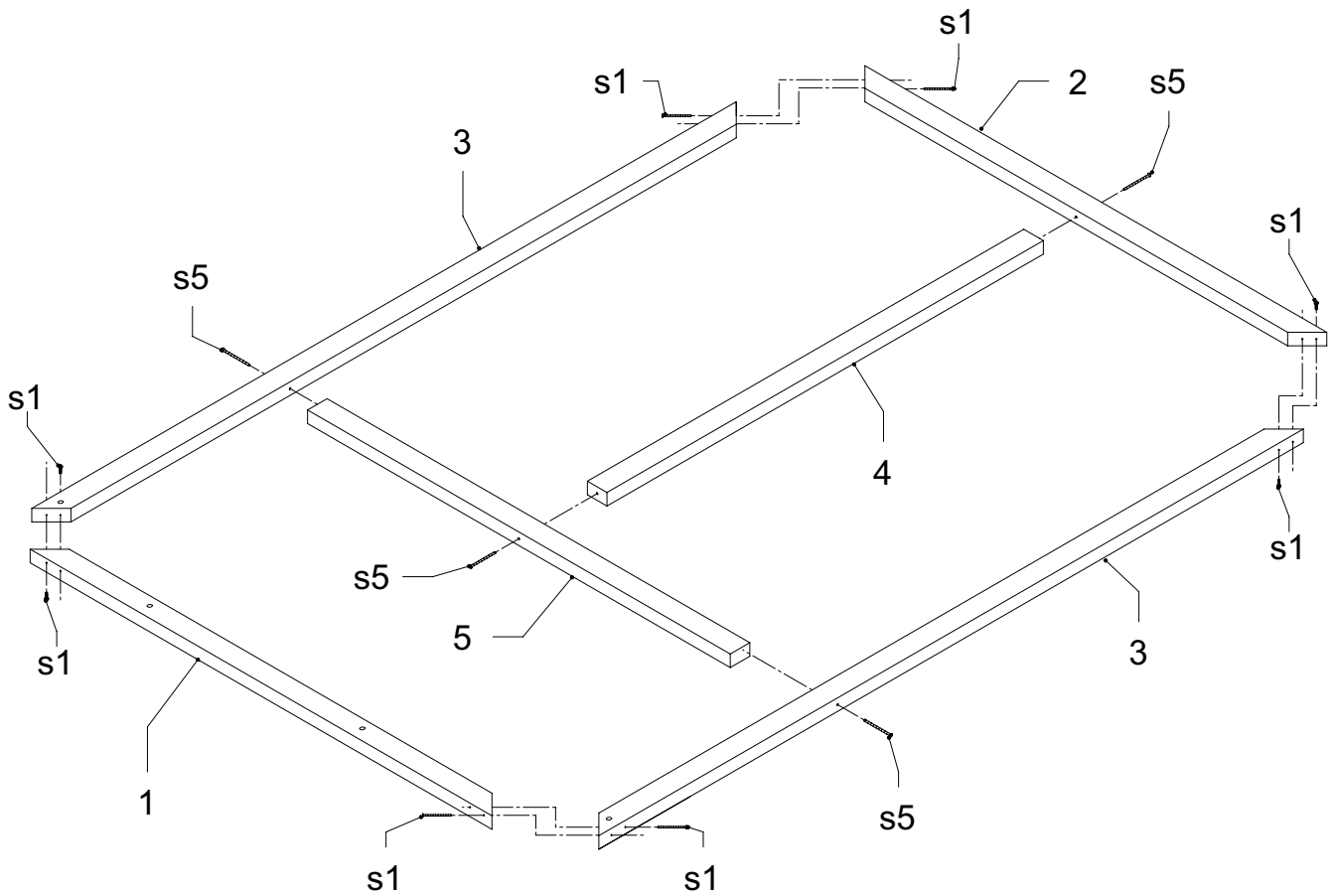


s5

4x5

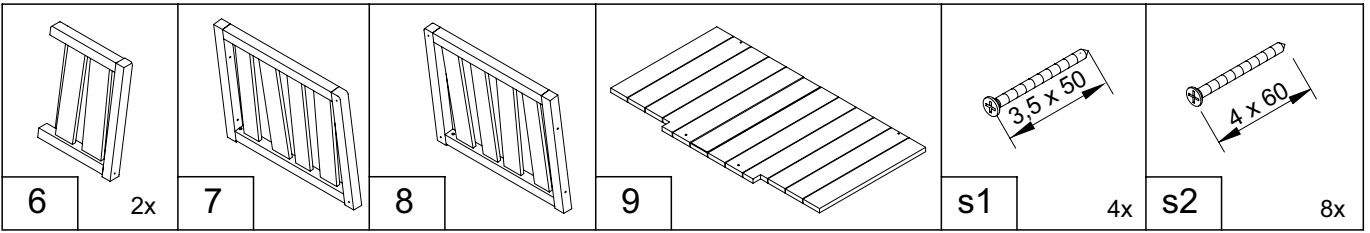
1	2	3	2x	4	5	s1	8x	s5	4x

A030.141.00

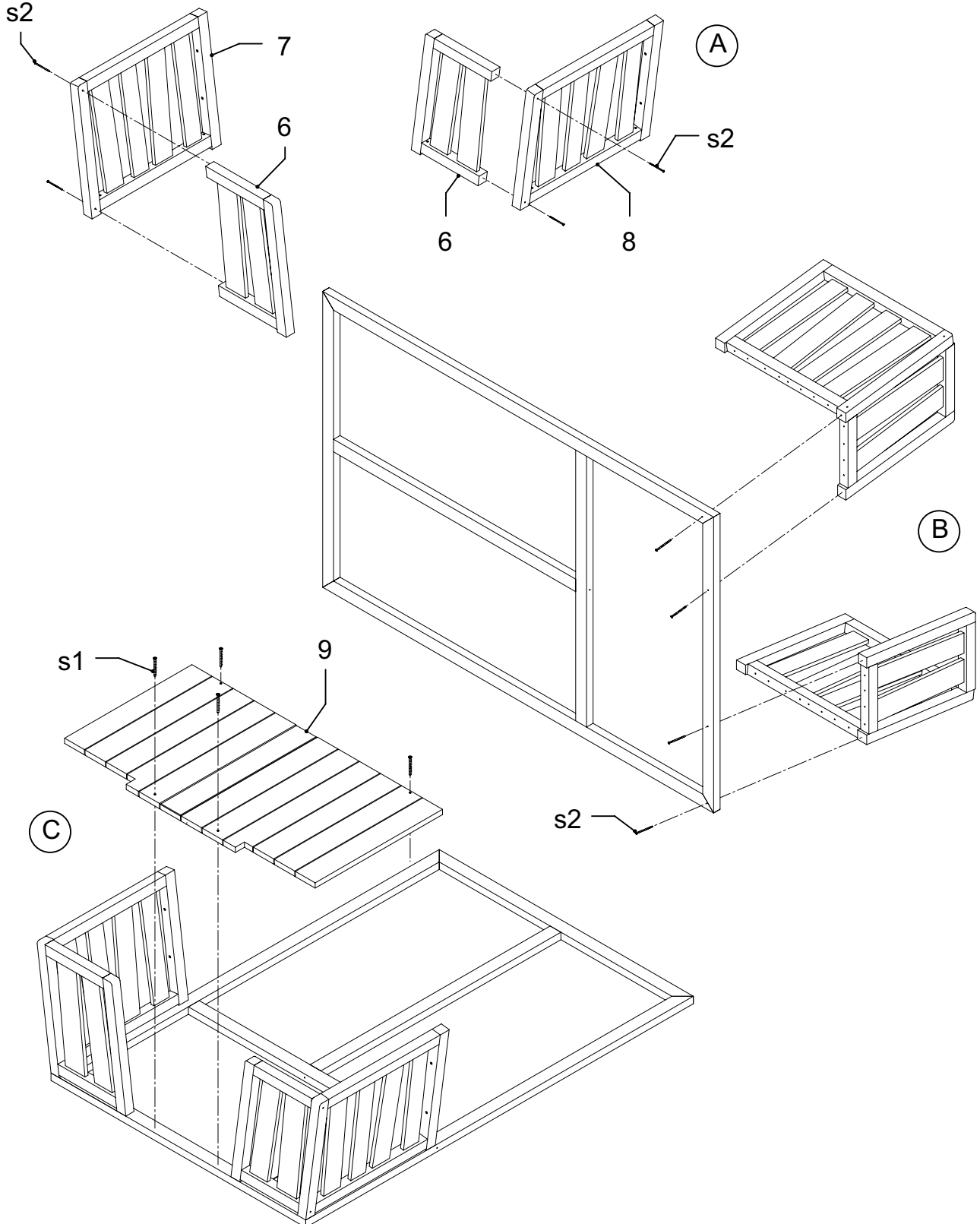




Jesse



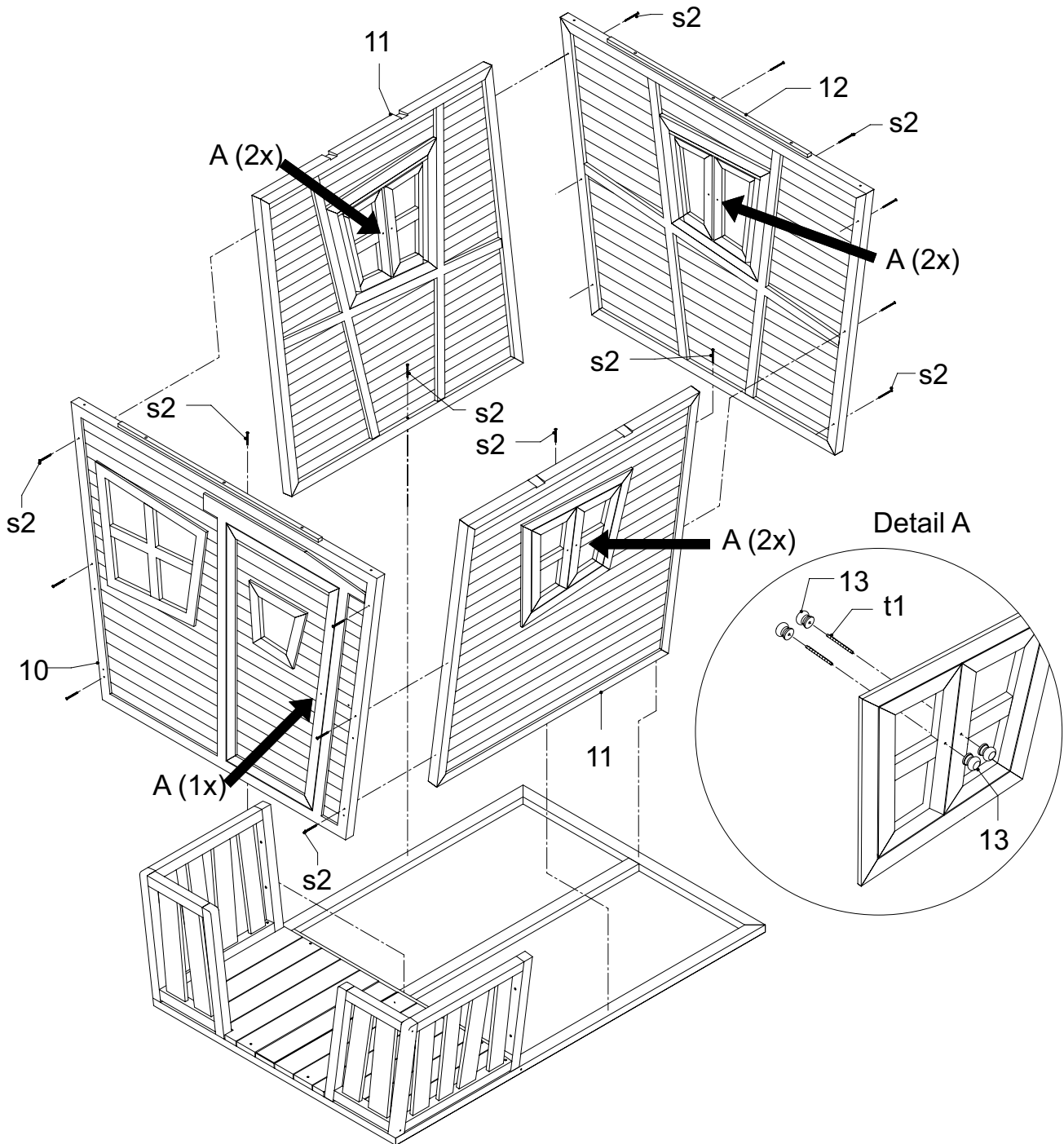
A030.114.00

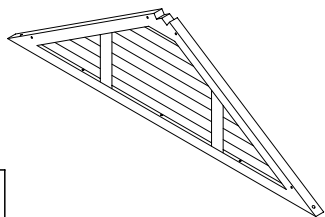




		2x			14x		7x		16x
10	11		12	13		t1		s2	

A030.111.00 + A030.112.00

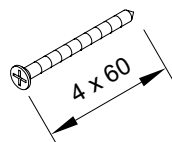




14

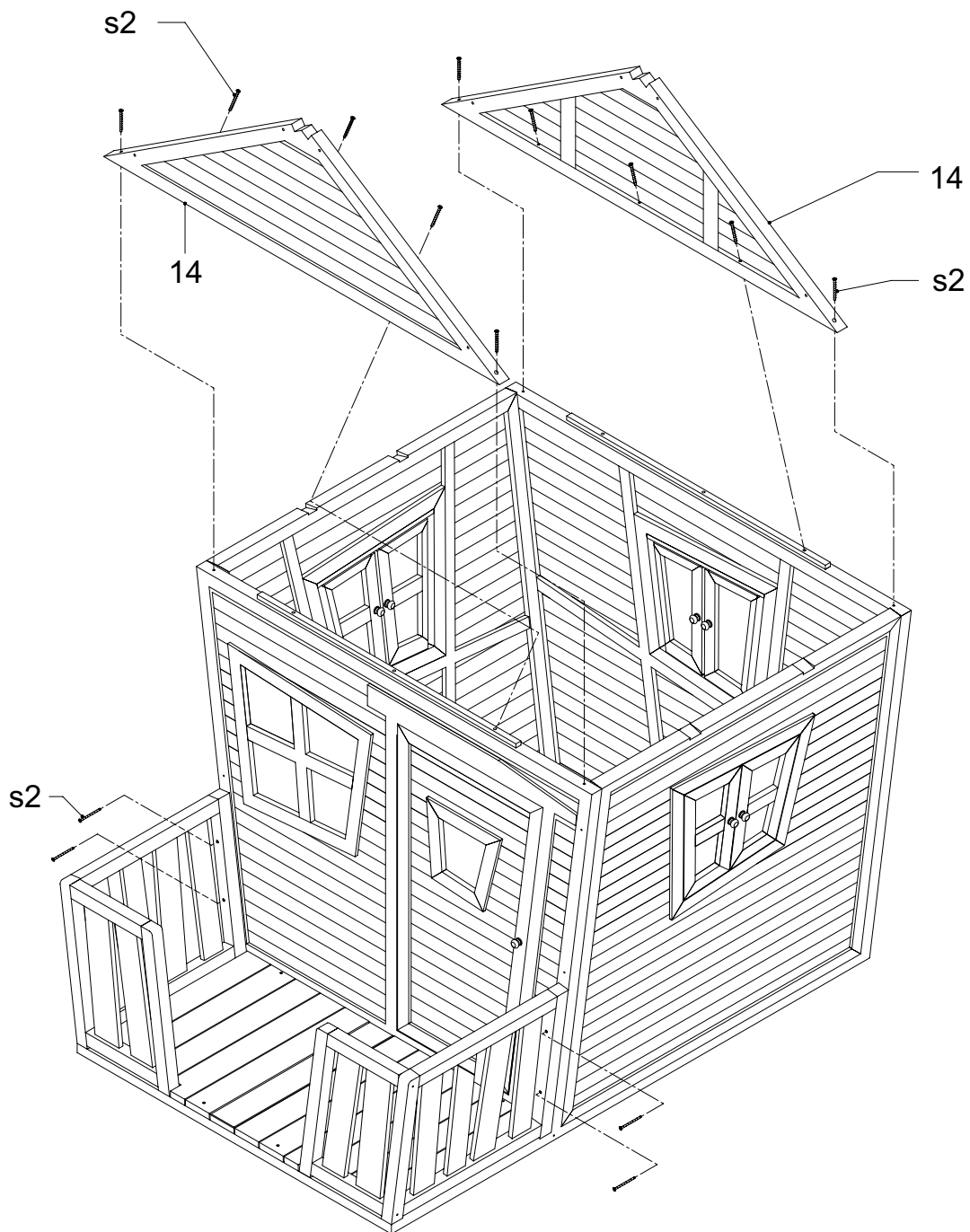
2x

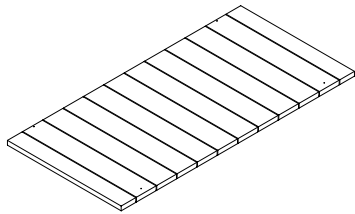
s2



14x

A030.111.00 + A030.114.00

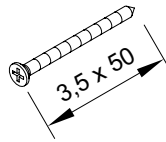




15

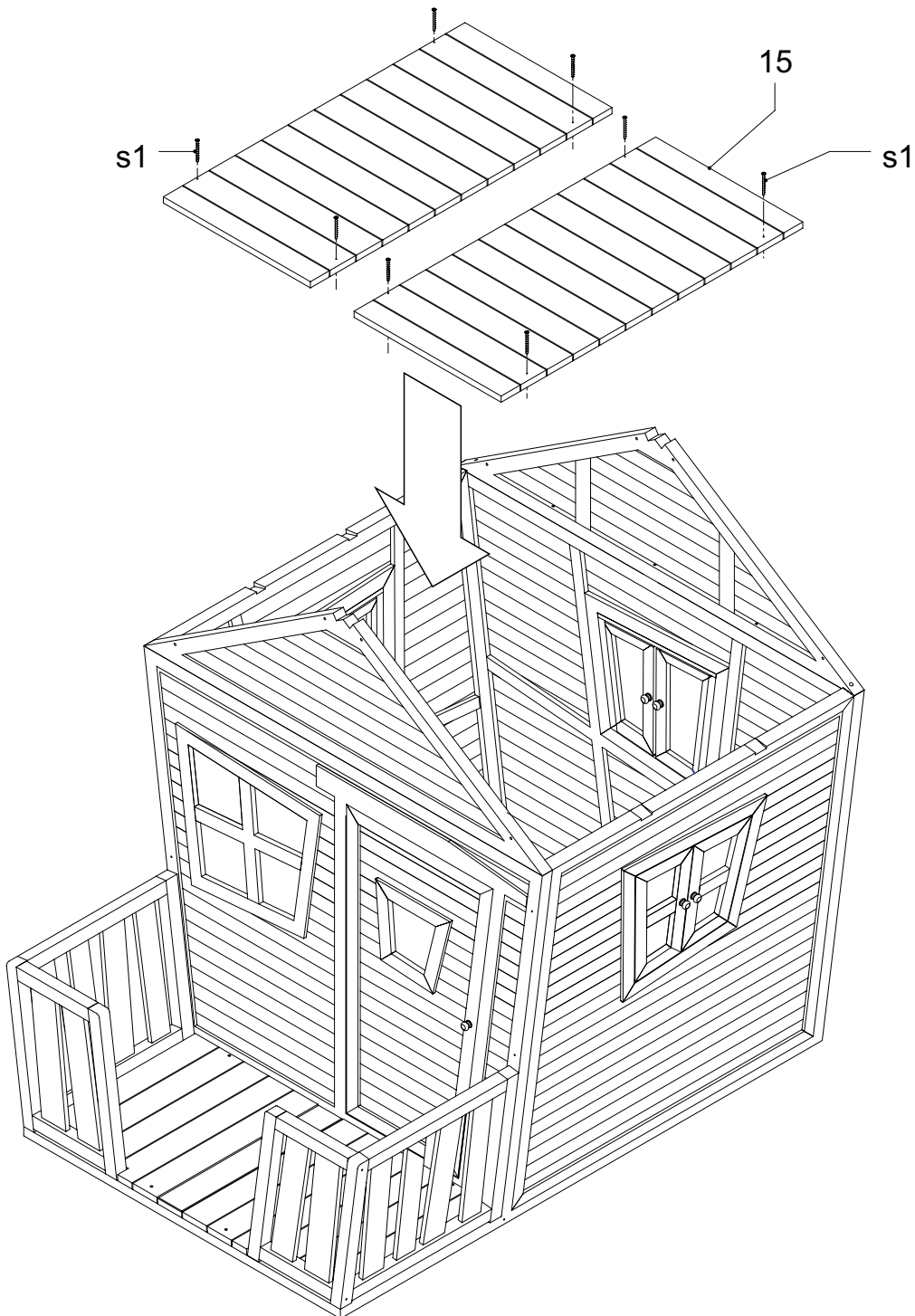
2x

s1



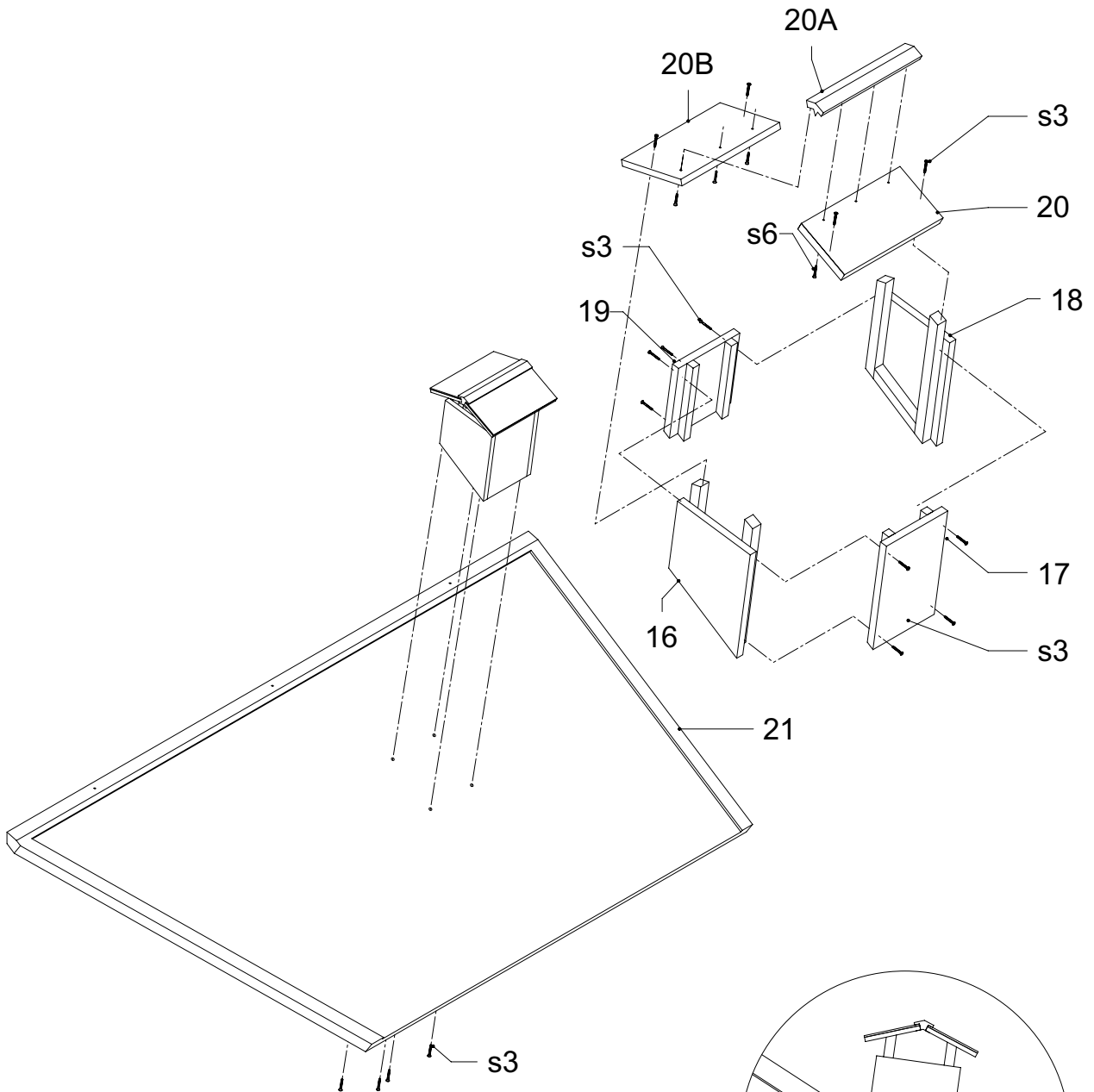
8x

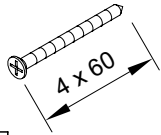
A030.114.00



16	17	18	19	20	20A	20B	21	s3 16x	s6 6x

A030.114.00

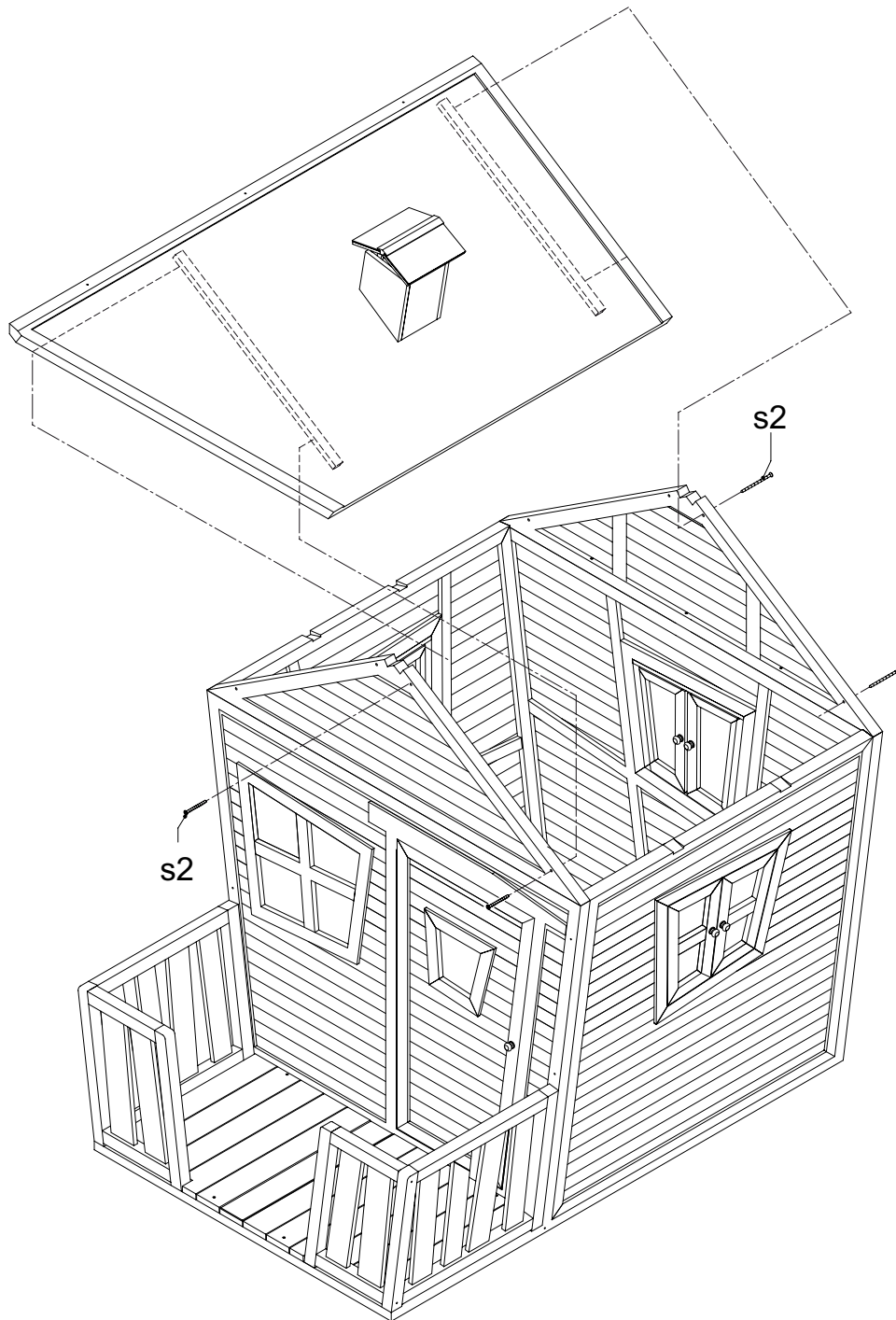


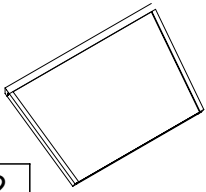


s2

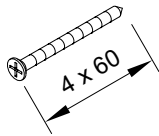
4x

A030.113.00





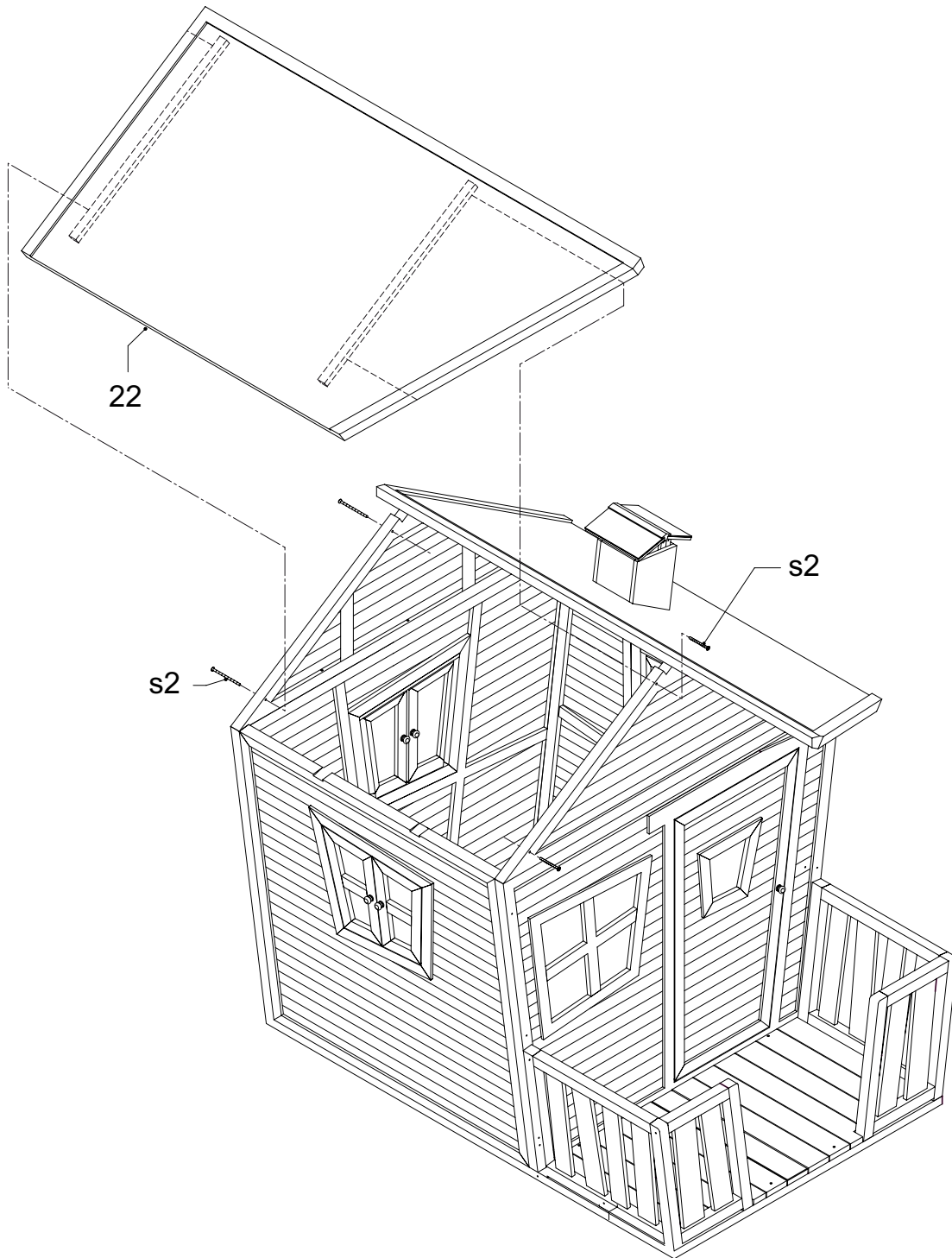
22



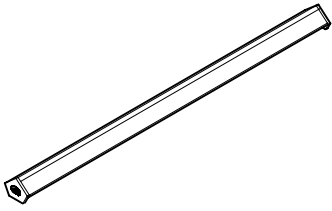
s2

4x

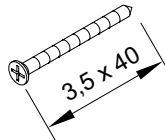
A030.113.00



23

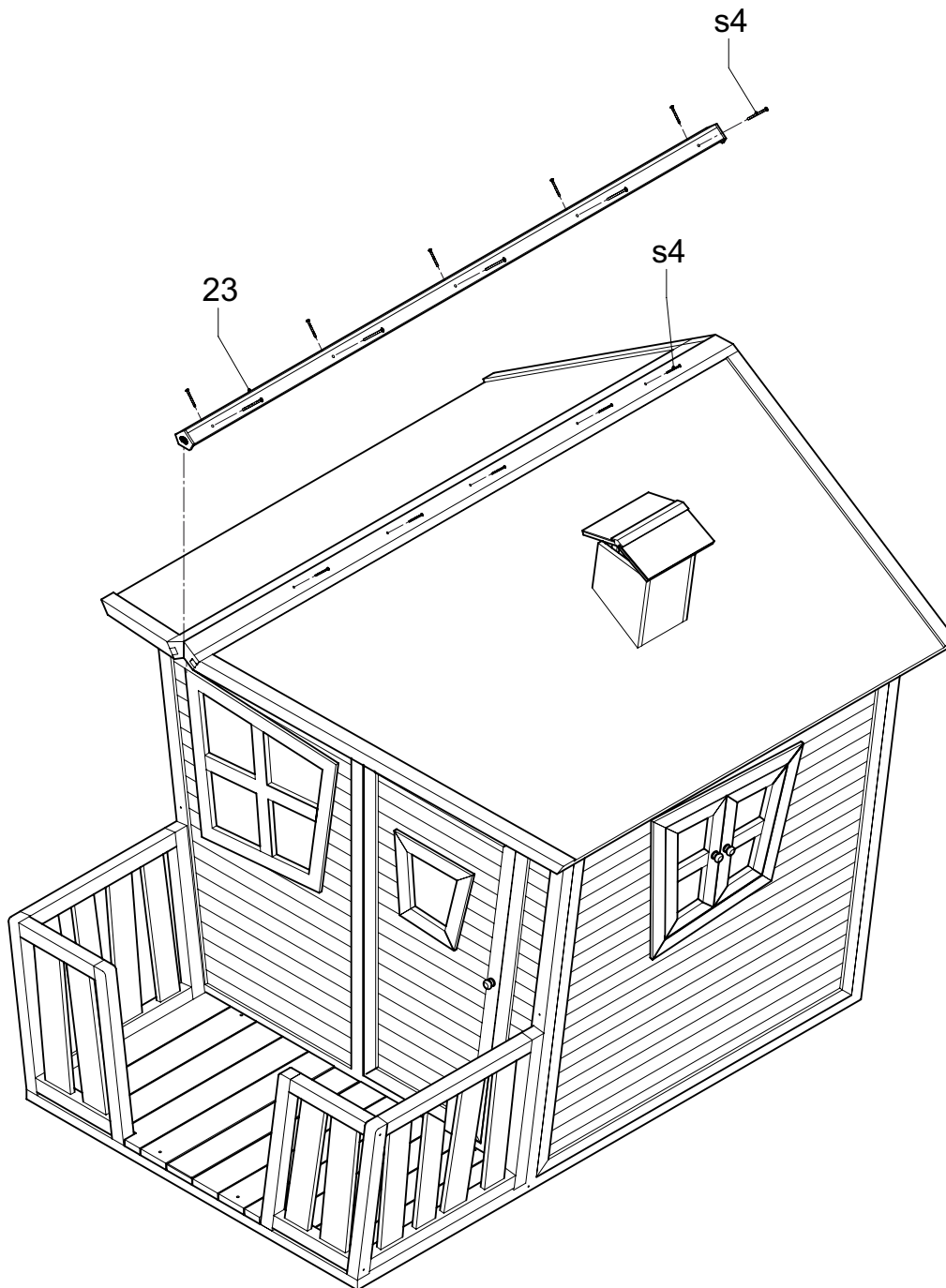


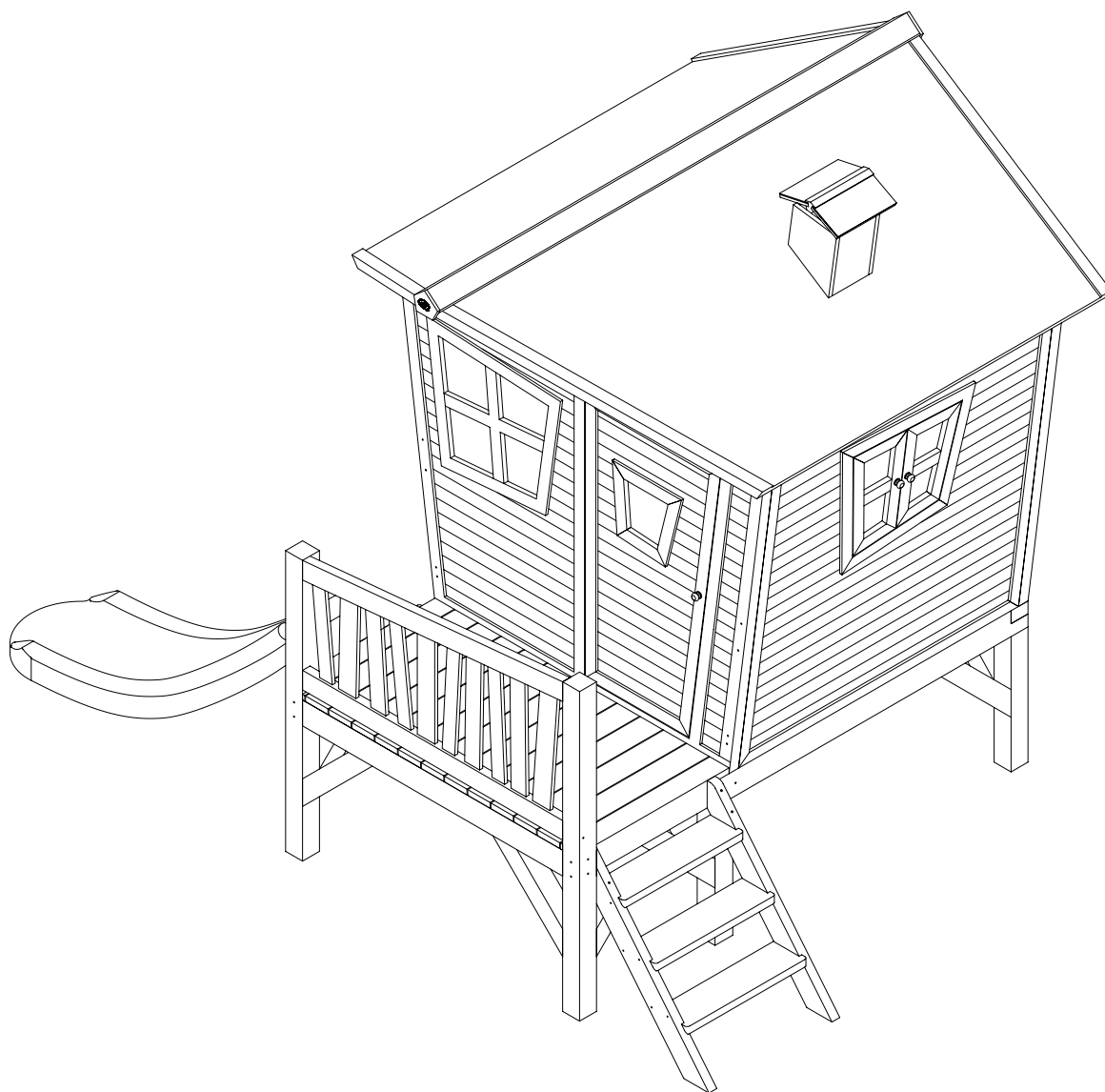
s4



15x

A030.113.00

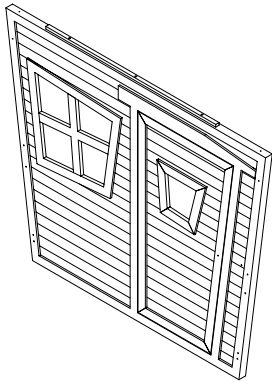




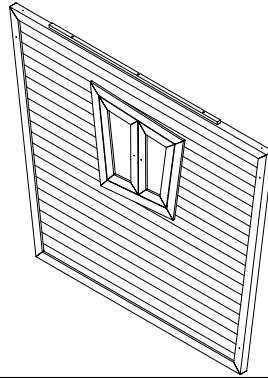


Iris

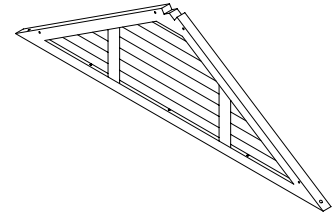
A030.111.00



1



3



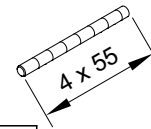
5

2x



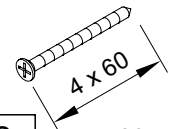
4

14x



t1

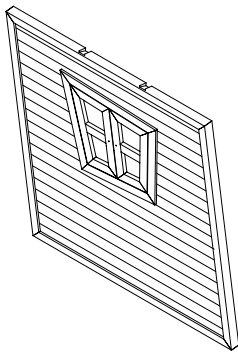
7x



s2

26x

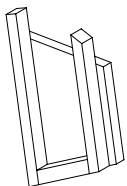
A030.112.00



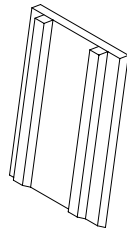
2

2x

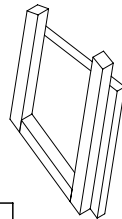
A030.113.00



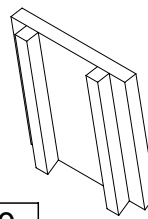
7



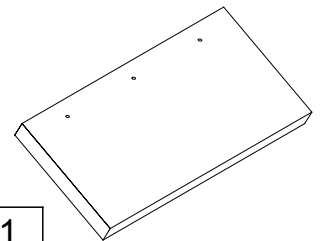
8



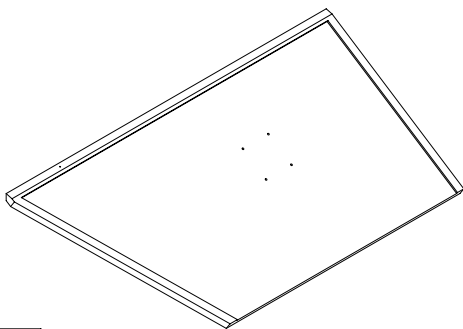
9



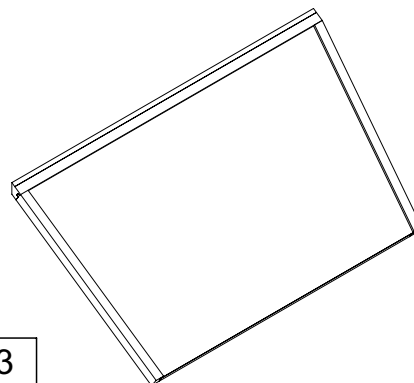
10



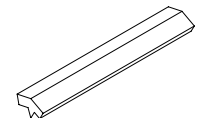
11



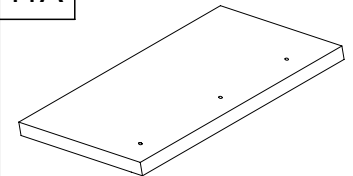
12



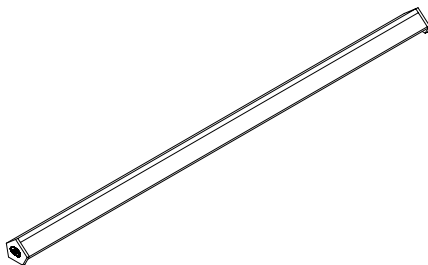
13



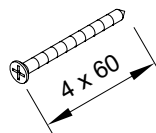
11A



11B

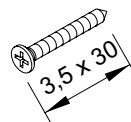


14



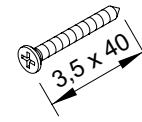
s2

8x



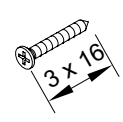
s3

16x



s4

15x



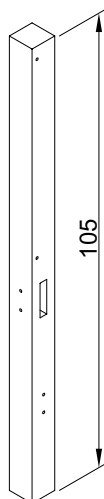
s6

6x

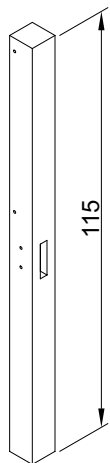


Iris

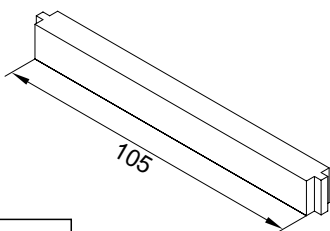
A030.115.00



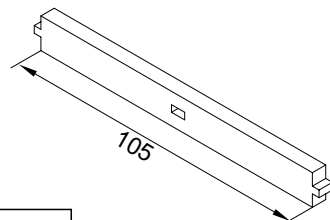
16



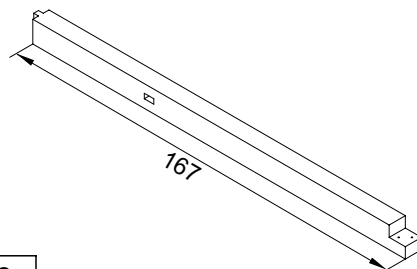
17



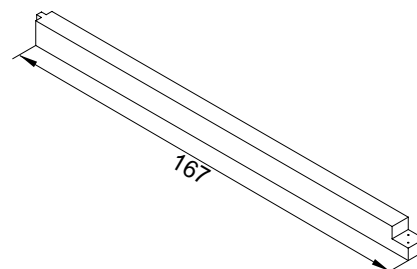
18



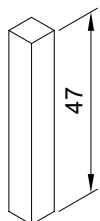
19



20

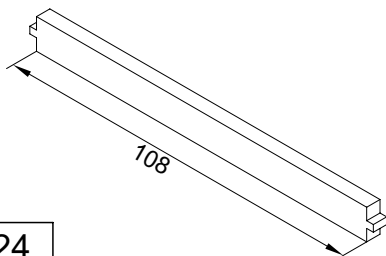


21

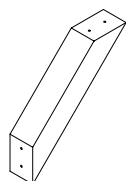


22

2x

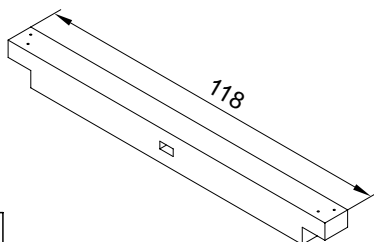


24



23

8x



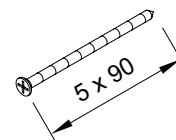
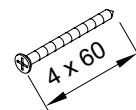
25

s1

14x

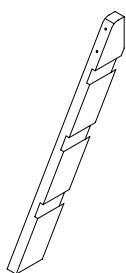
s2

16x

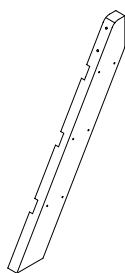


s5

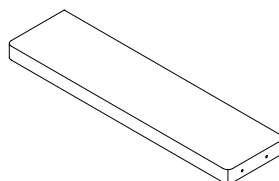
40x



29

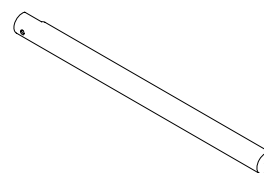


30



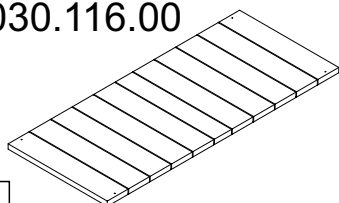
31

3x



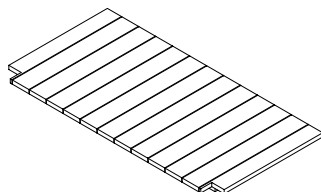
32

A030.116.00



6

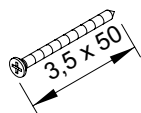
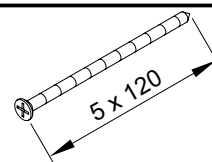
2x



26

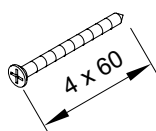
s7

4x



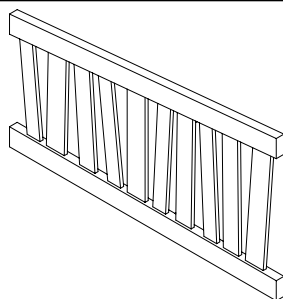
s1

12x



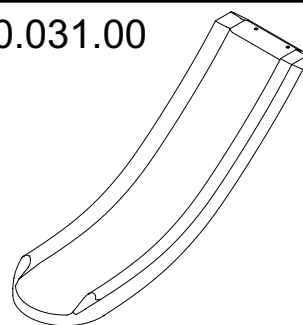
s2

2x



27

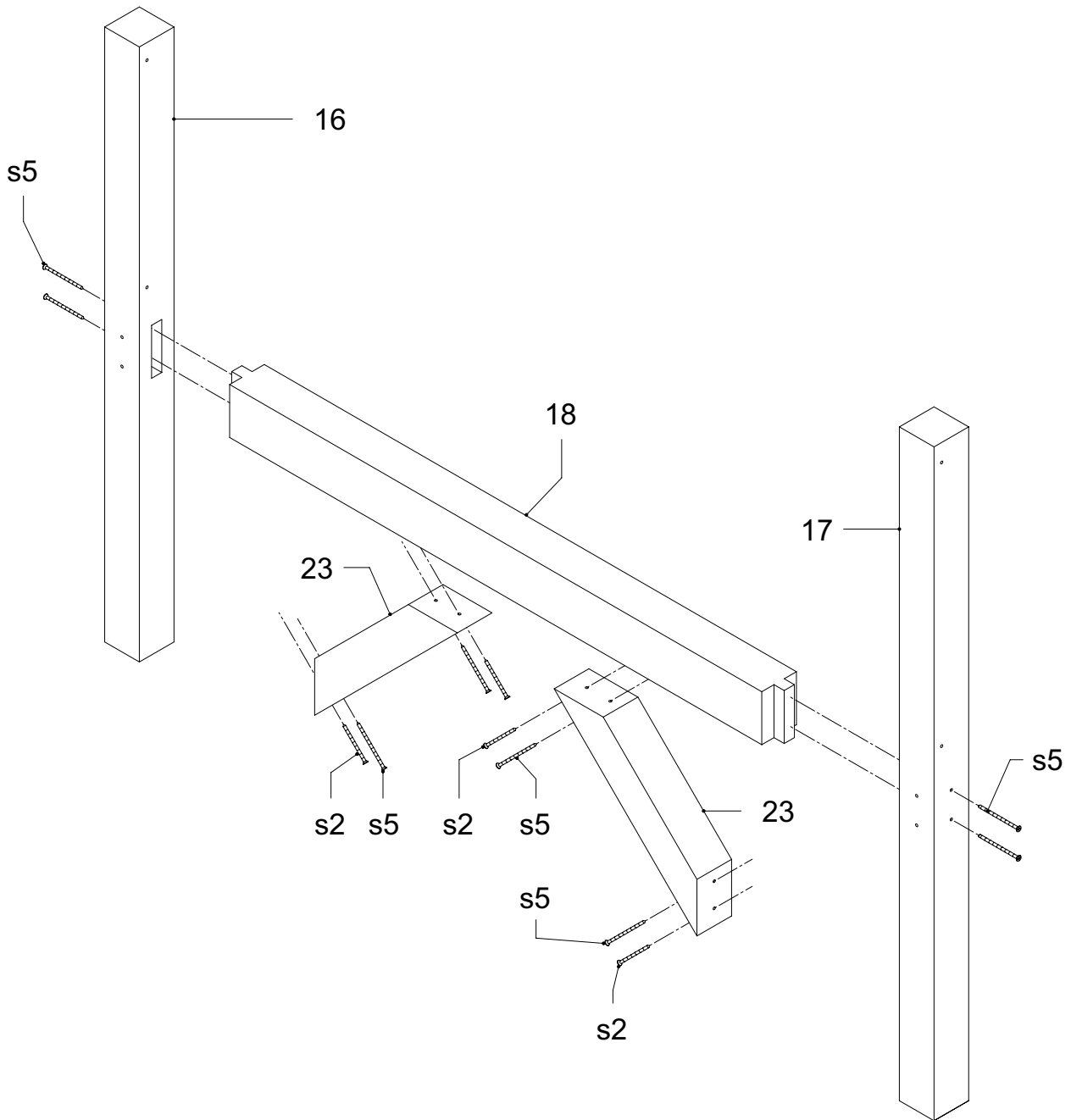
A030.031.00



28

16	17	18	23	2x s5	8x s2

A030.115.00

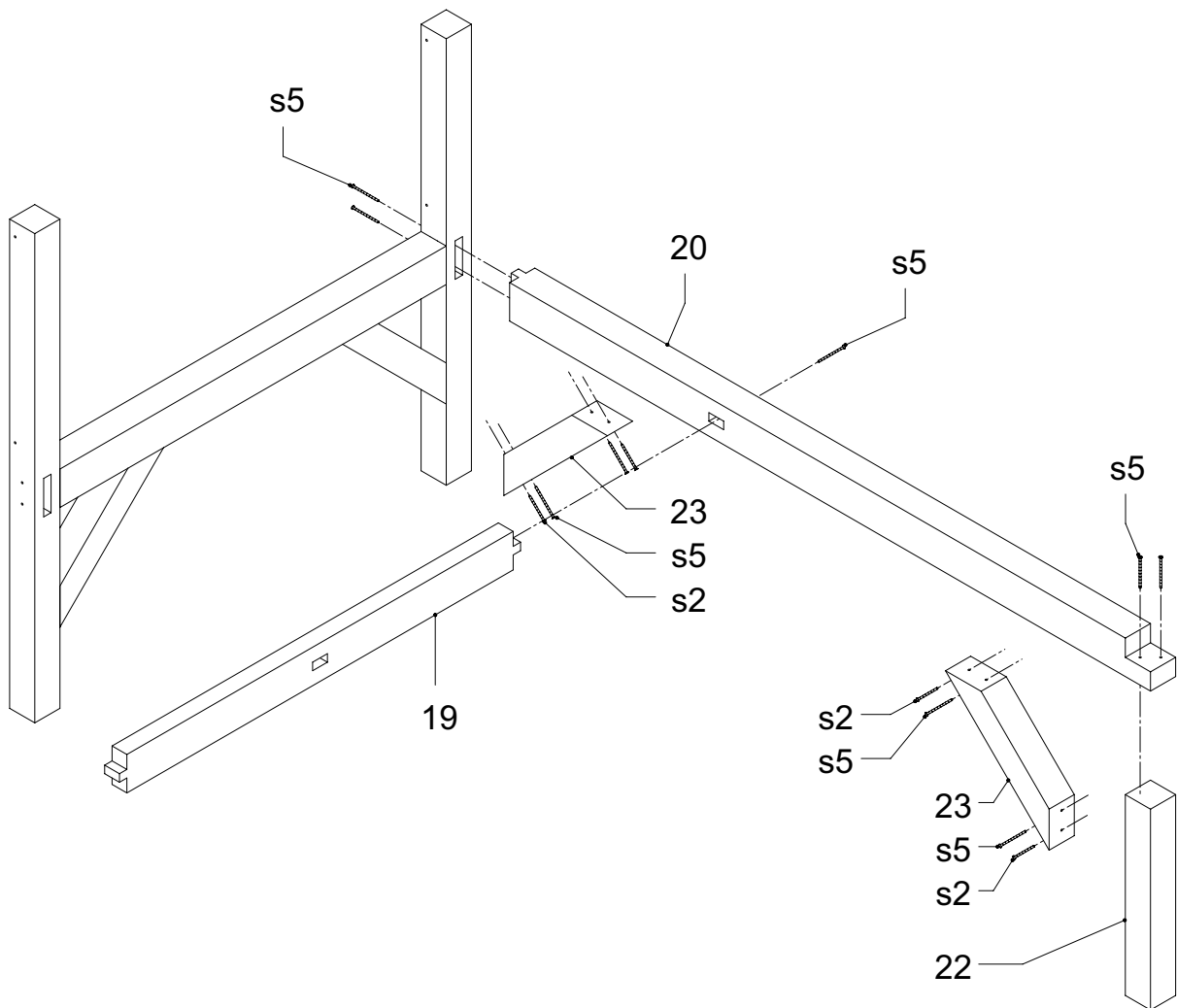




Iris

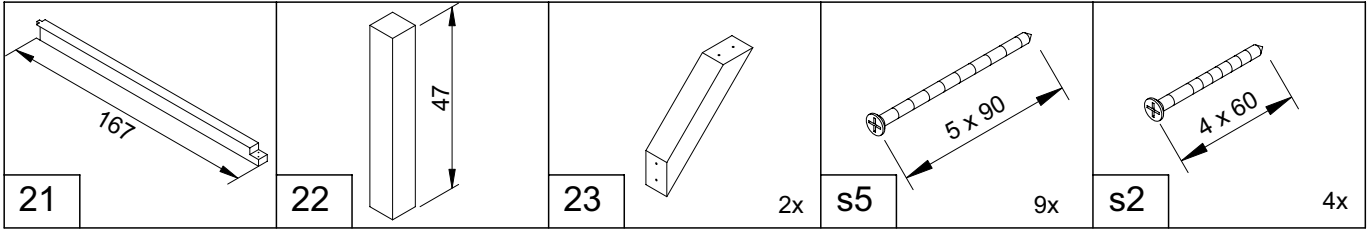
 19	 20	 22	1x	 23	2x	 s5	9x	 s2	4x
--------	--------	--------	----	--------	----	--------	----	--------	----

A030.115.00

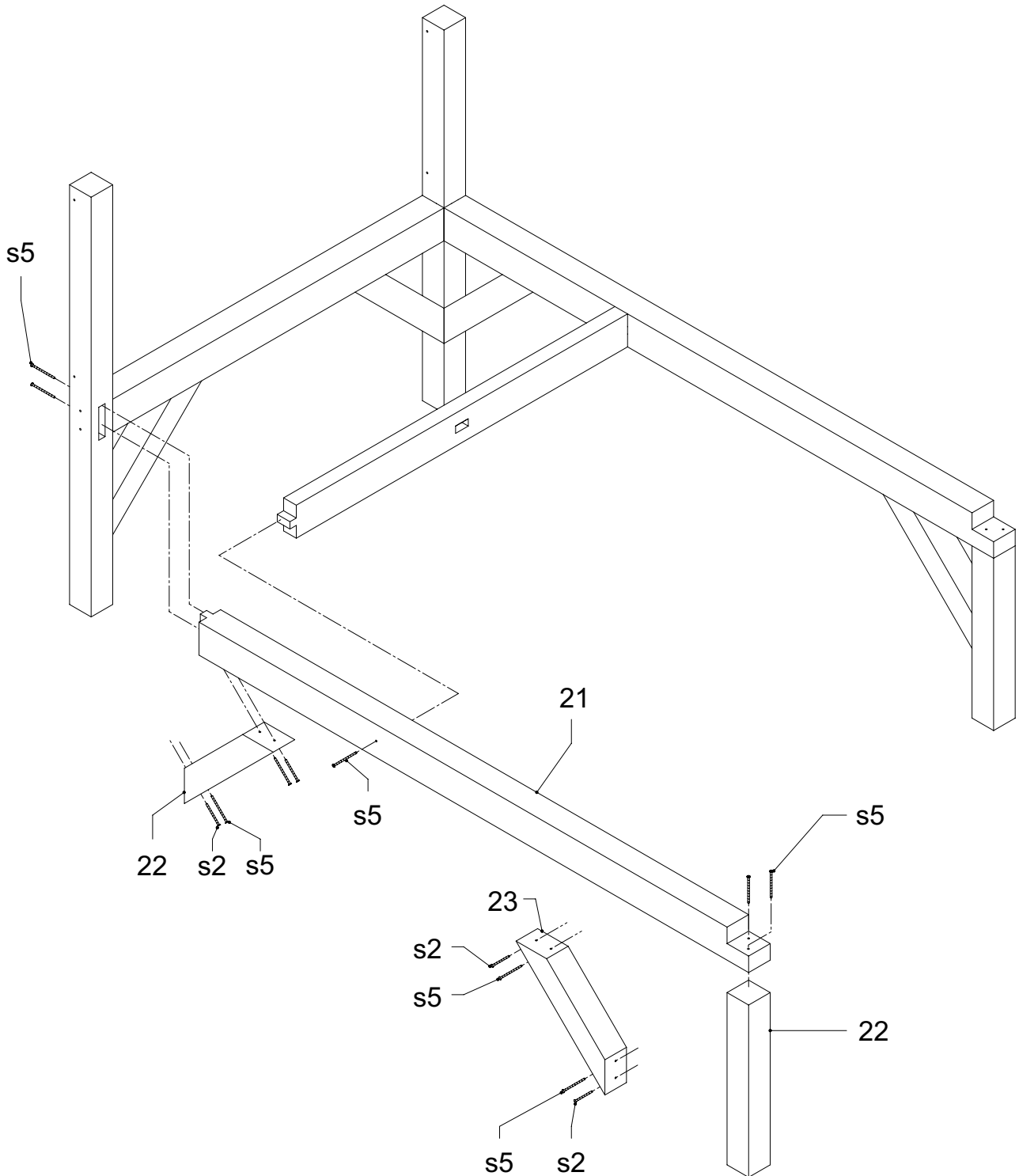




Iris

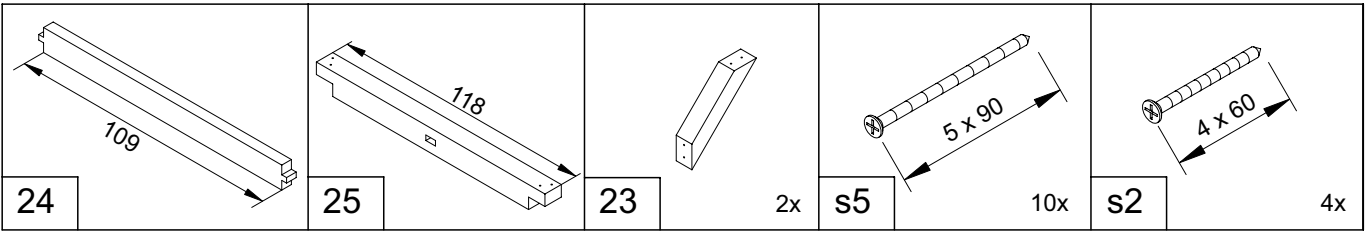


A030.115.00

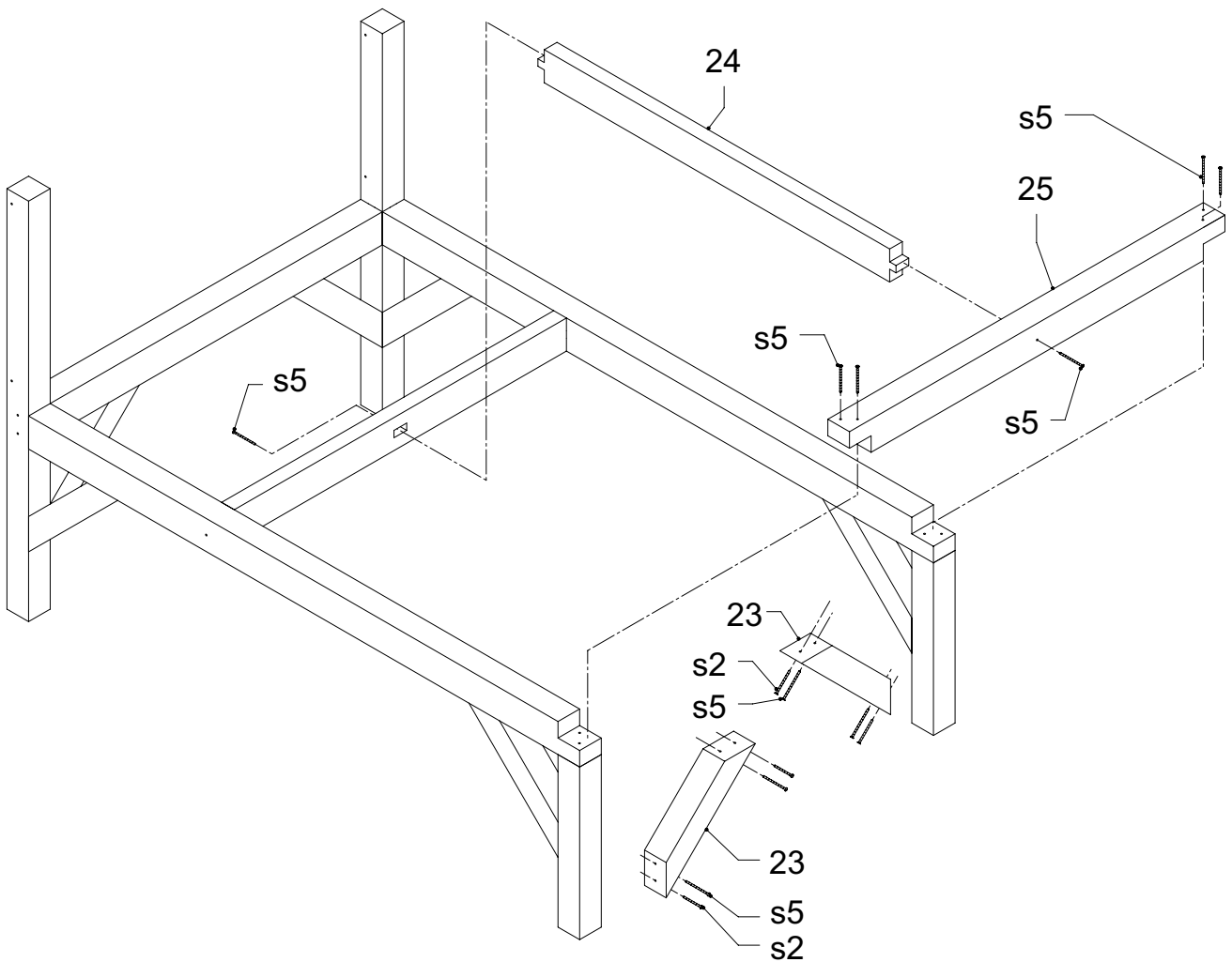




Iris

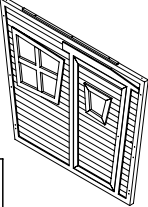
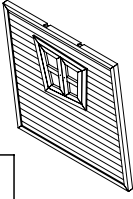
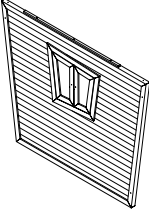

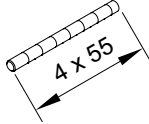
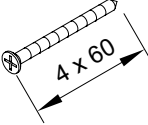


A030.115.00

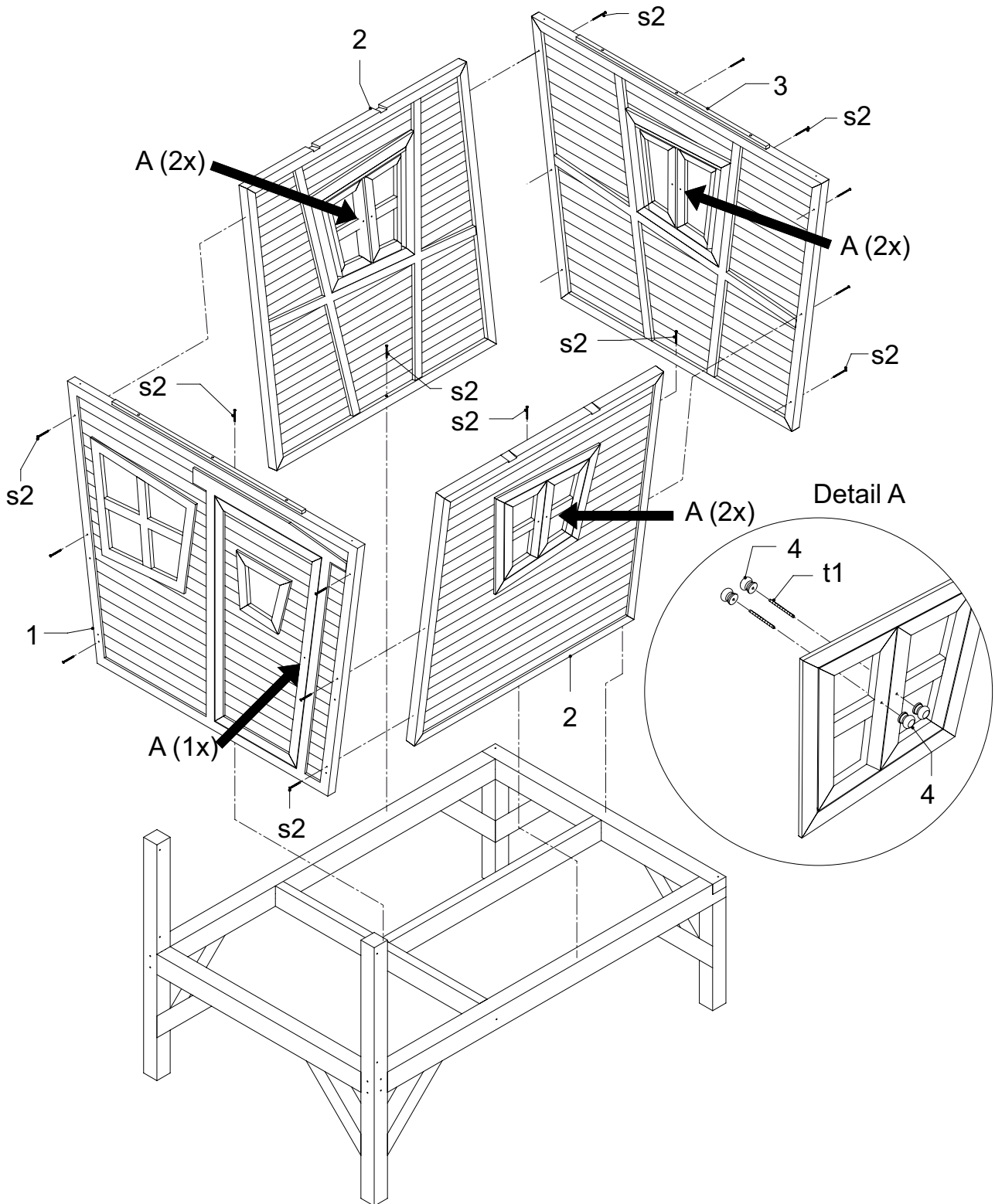


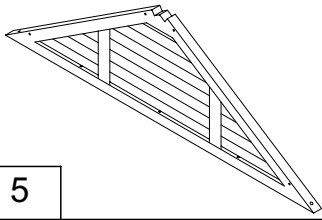


Iris

						
1	2x	3	4	14x	t1 7x	s2 16x

A030.111.00 + A030.112.00

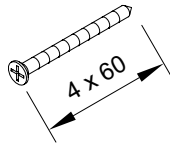




5

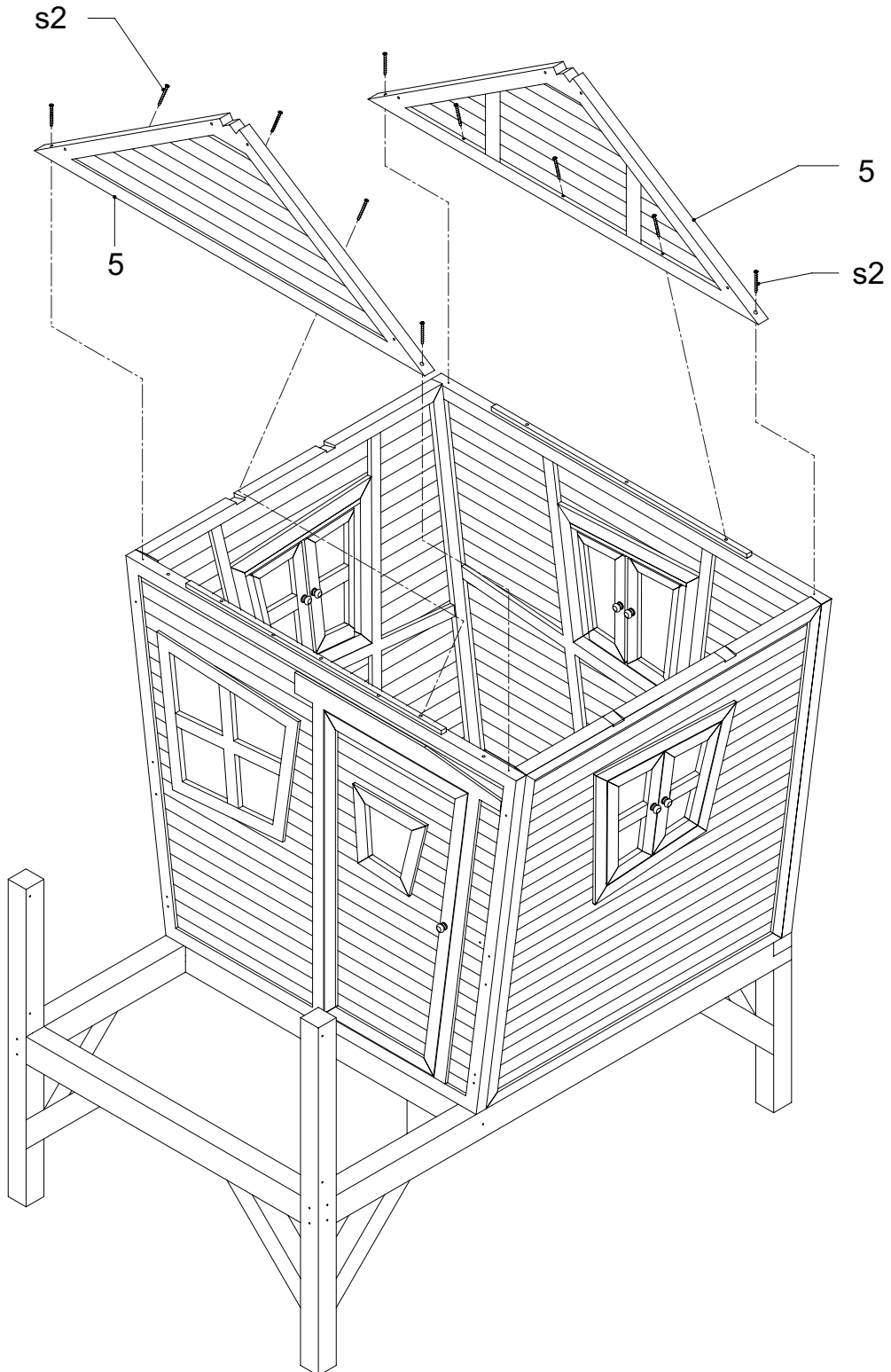
2x

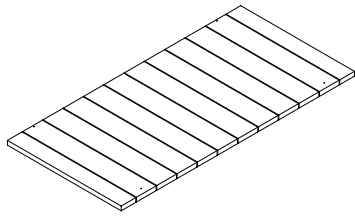
s2



10x

A030.116.00

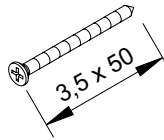




6

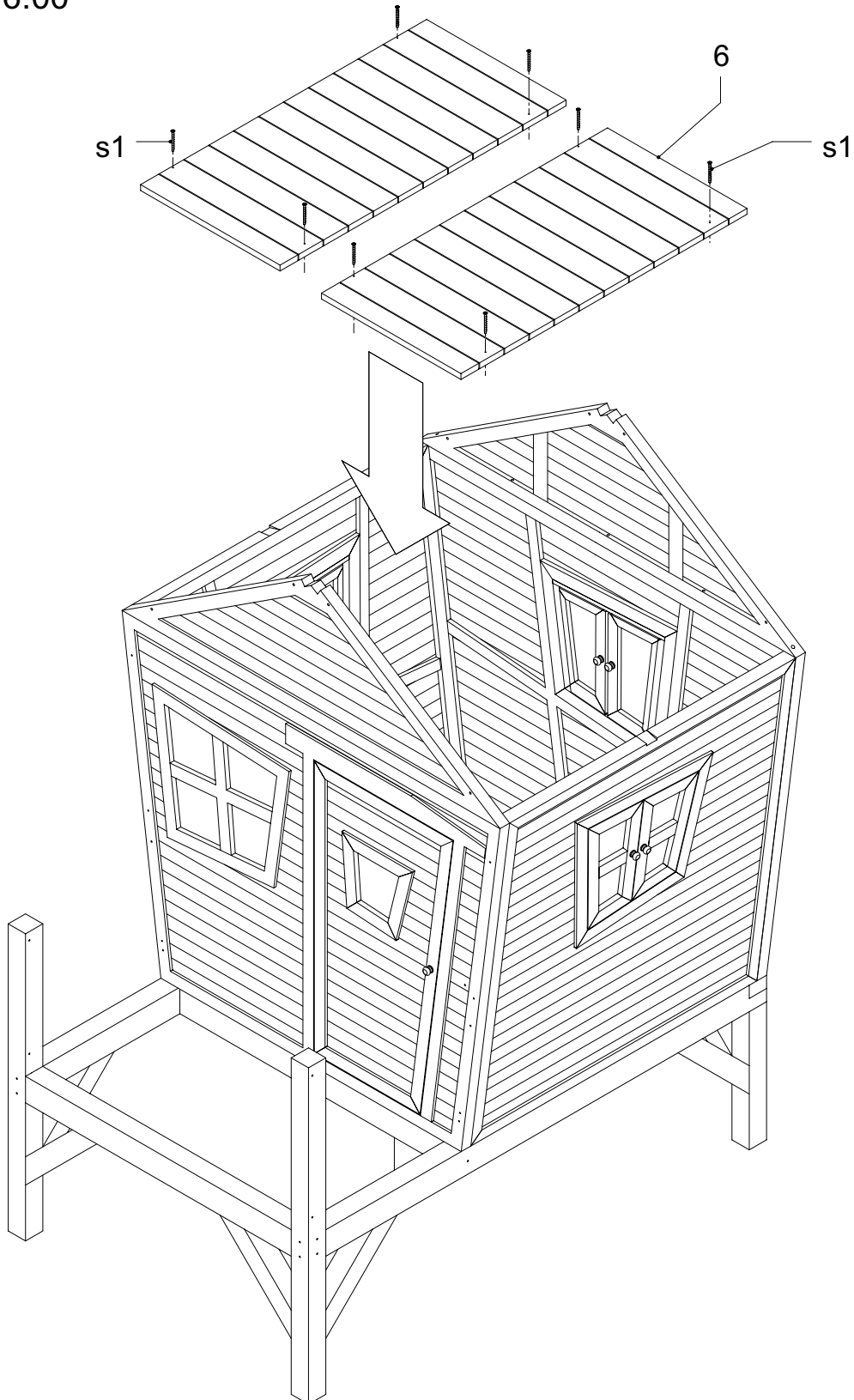
2x

s1



8x

A030.116.00

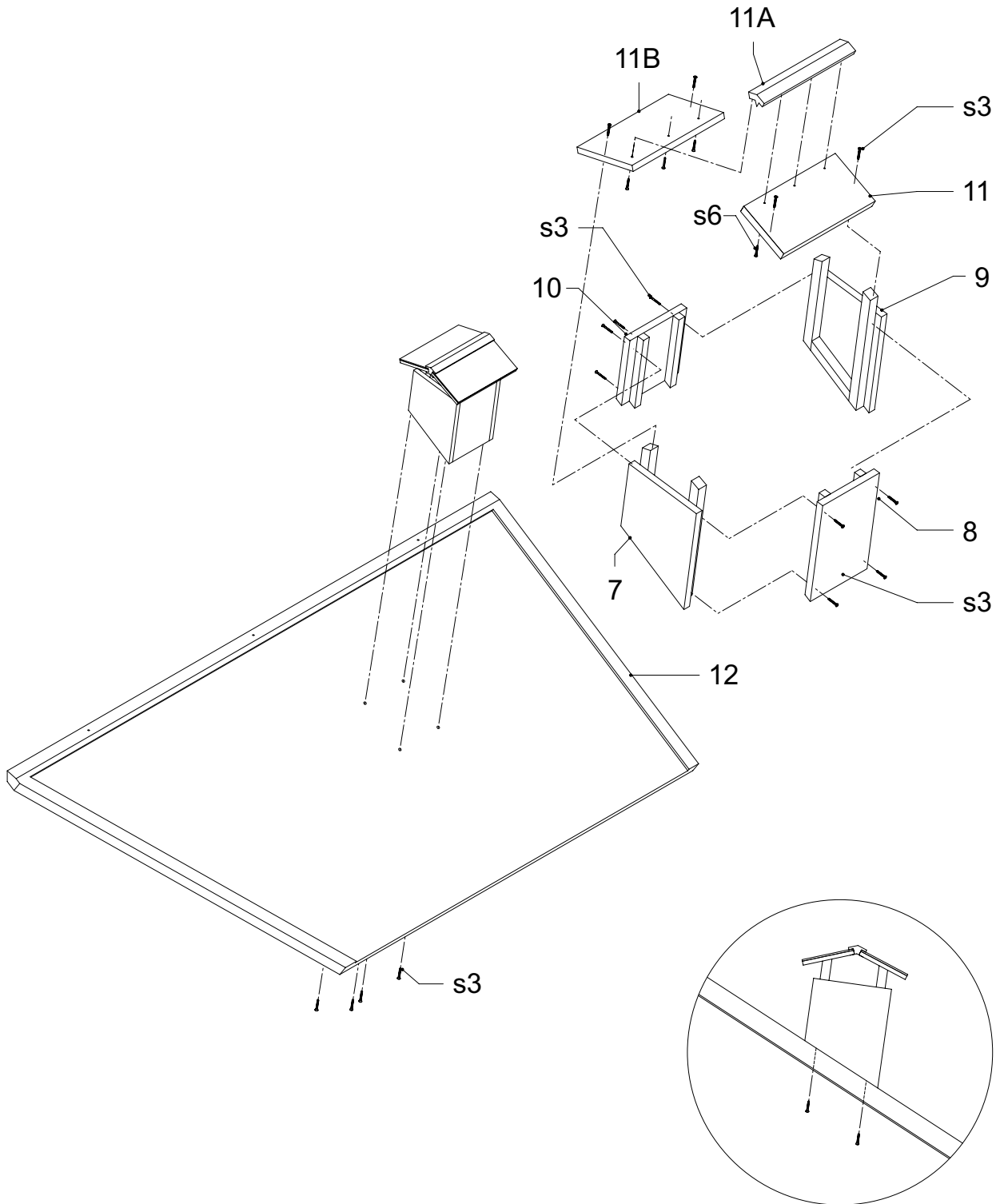


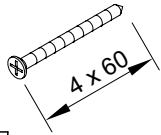


Iris

7	8	9	10	11	11A	11B	12	s3 16x	s6 6x

A030.113.00

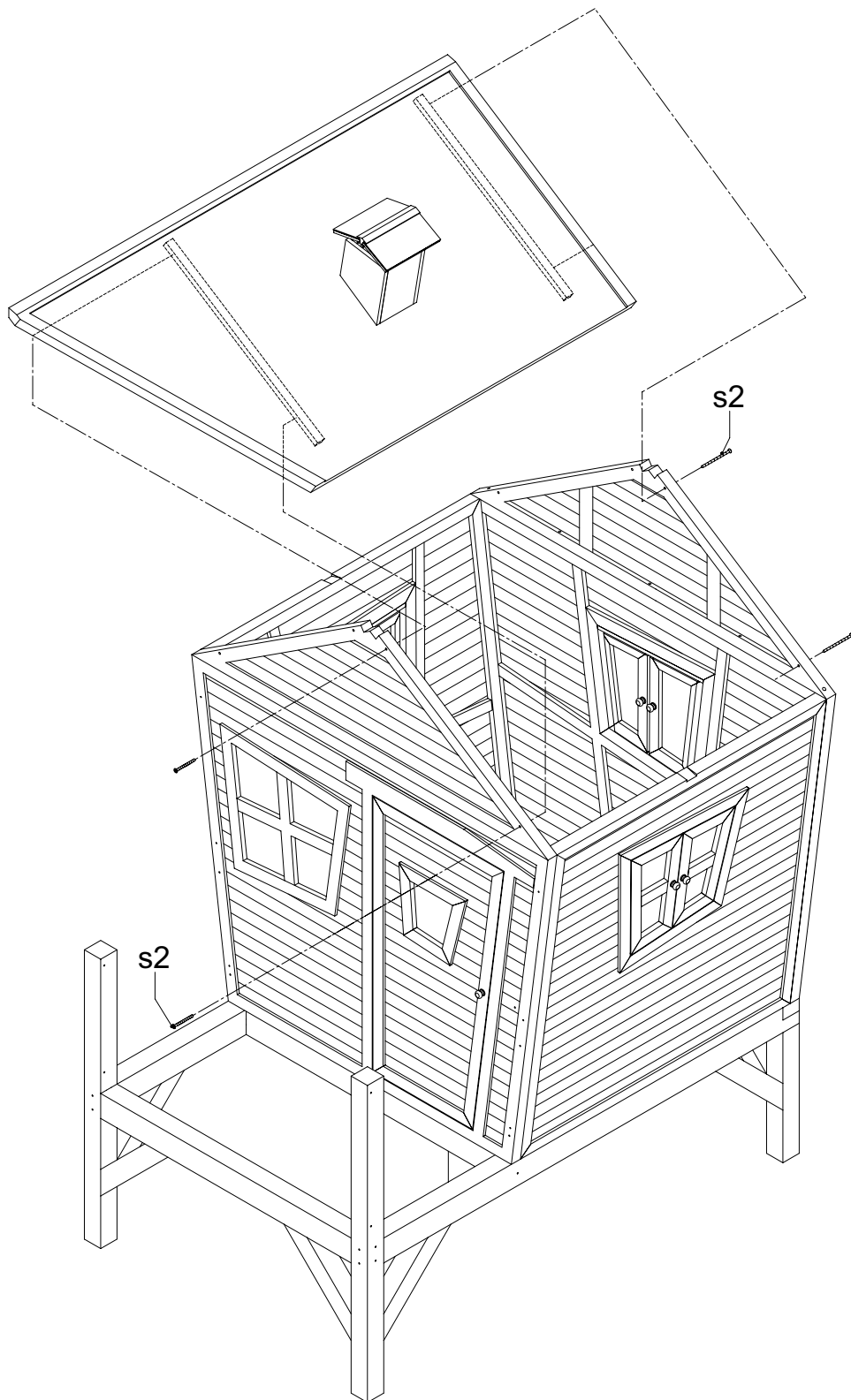


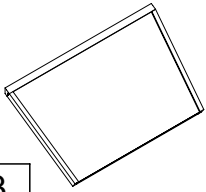


s2

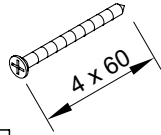
4x

A030.113.00





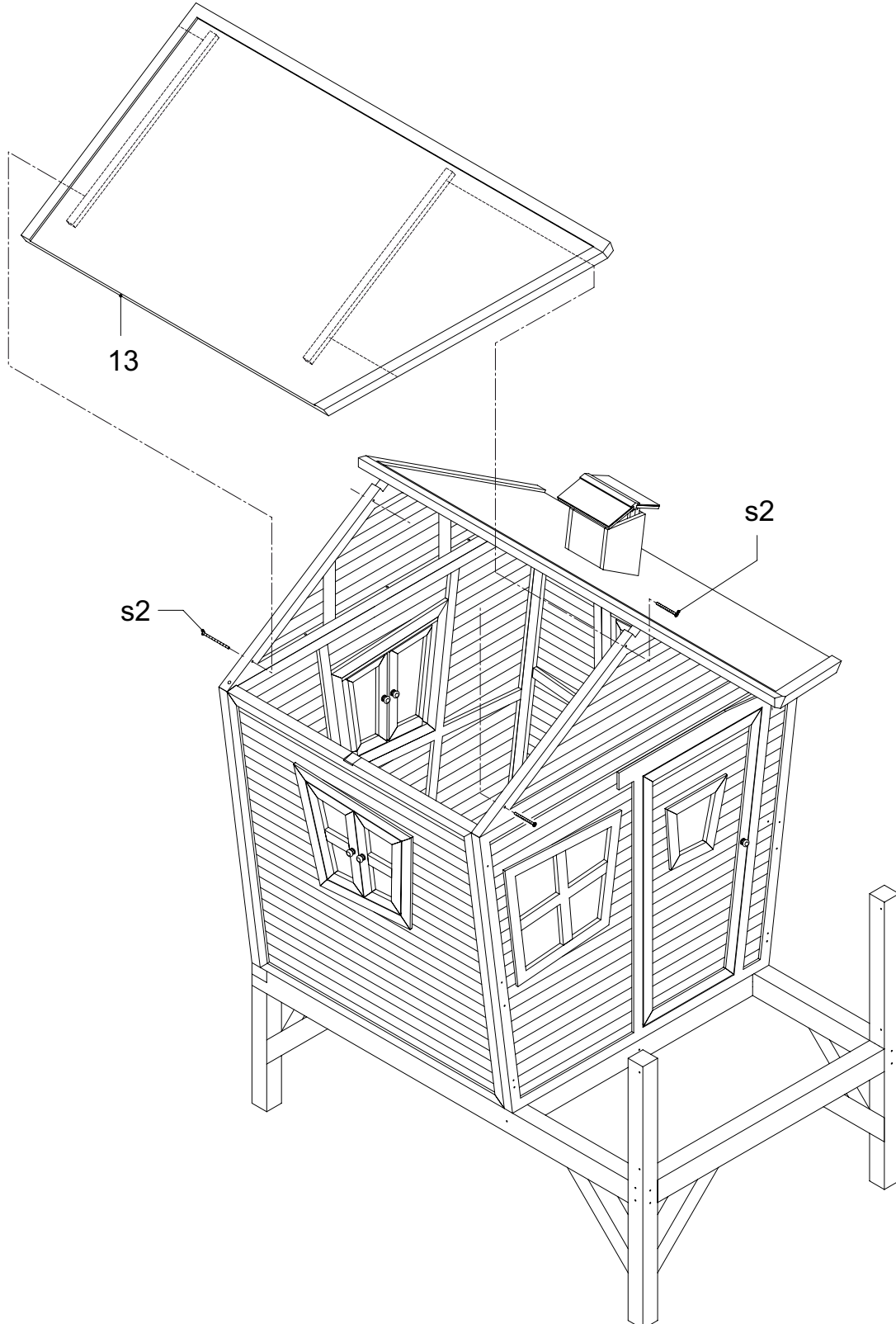
13



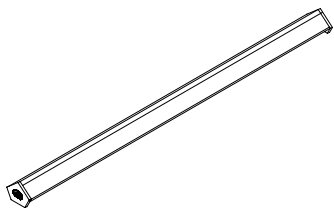
s2

4x

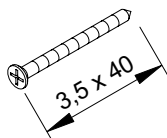
A030.113.00



15

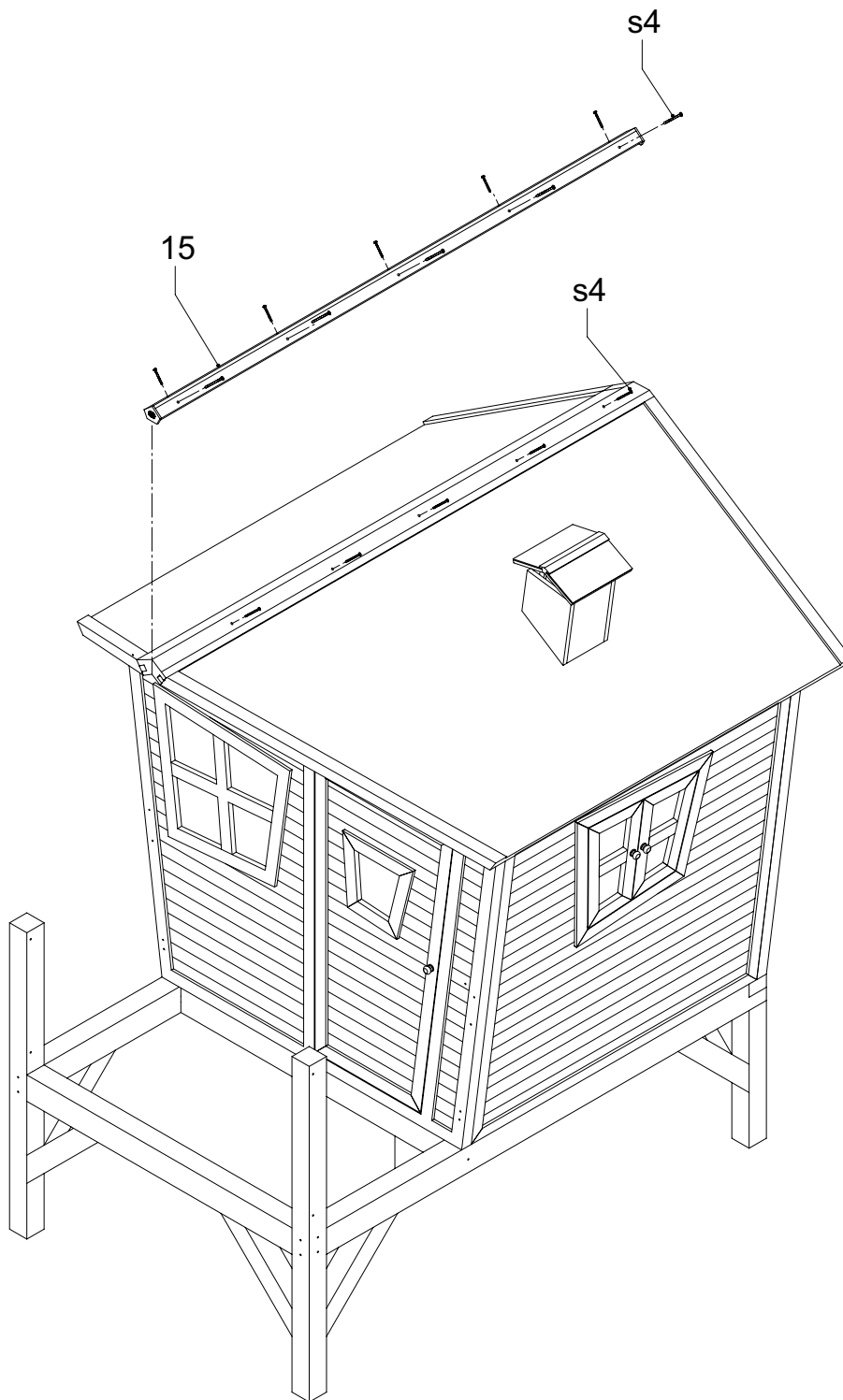


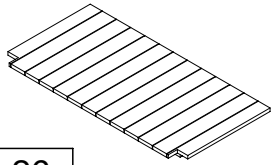
s4



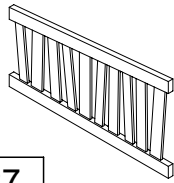
15x

A030.113.00

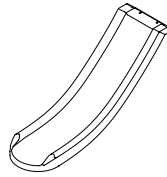




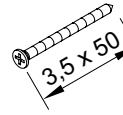
26



27

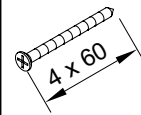


28



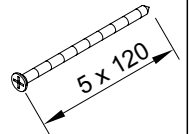
s1

6x



s2

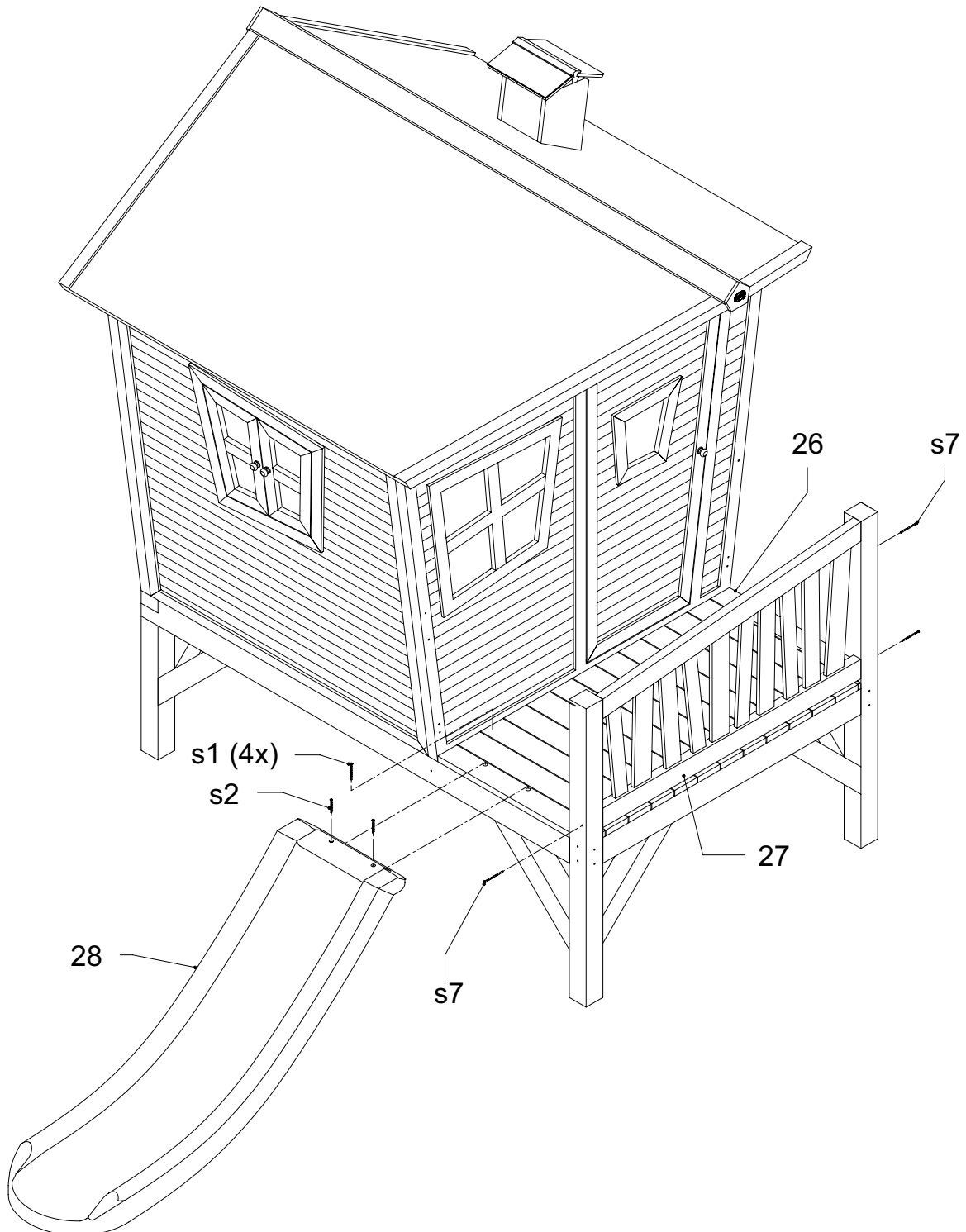
2x



s7

4x

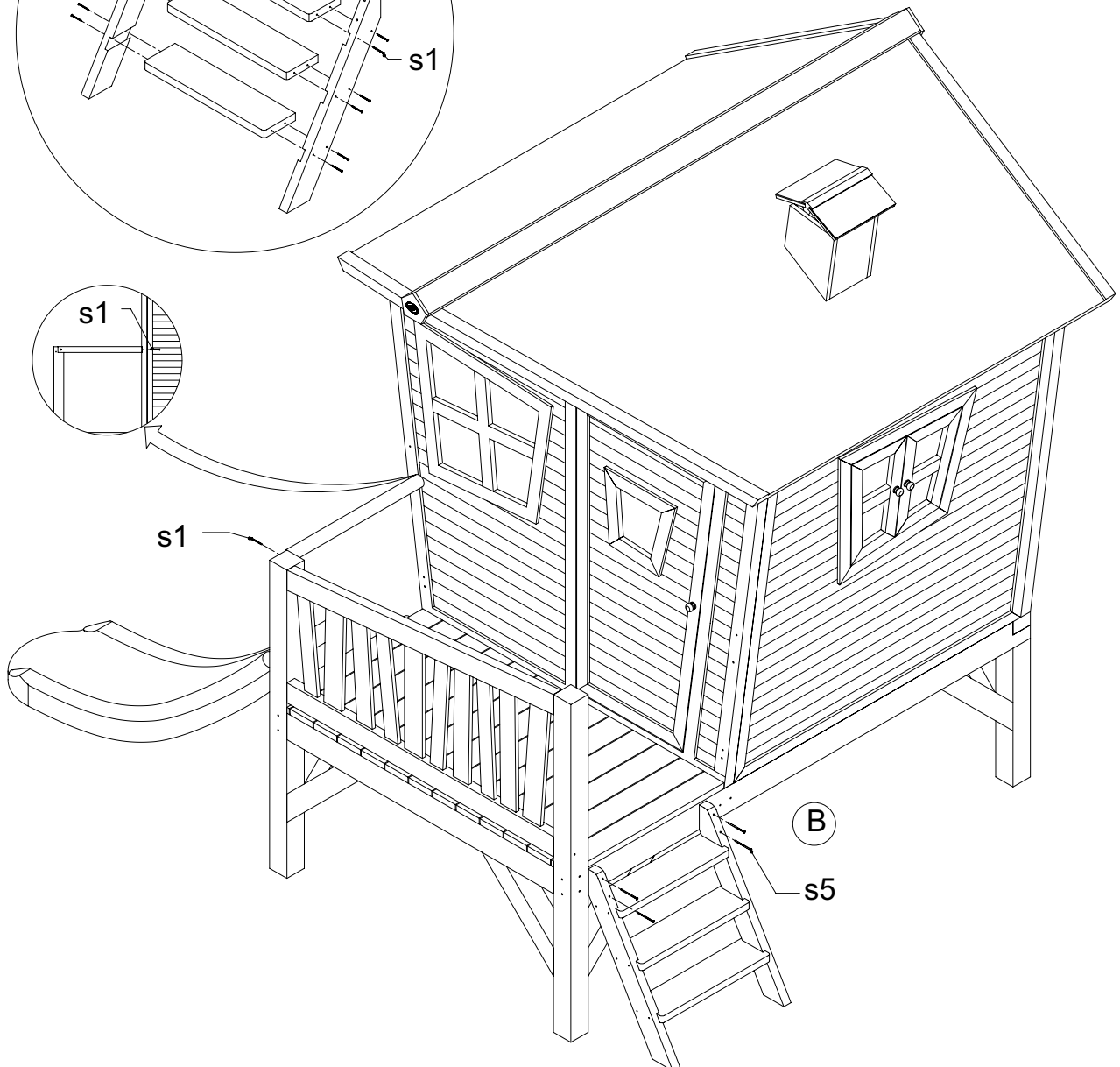
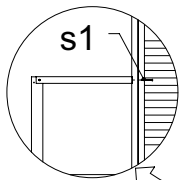
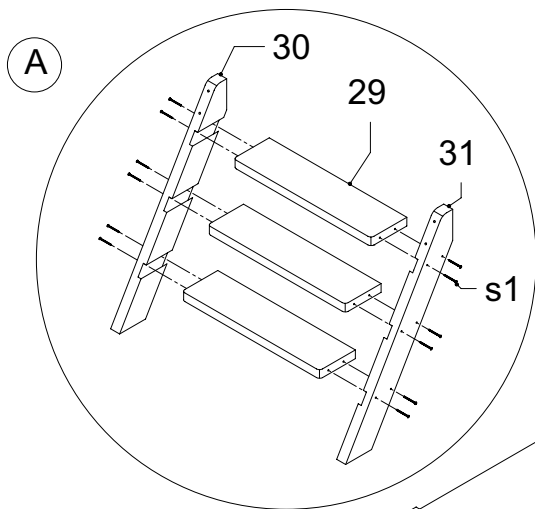
A030.031.00 + A030.116.00





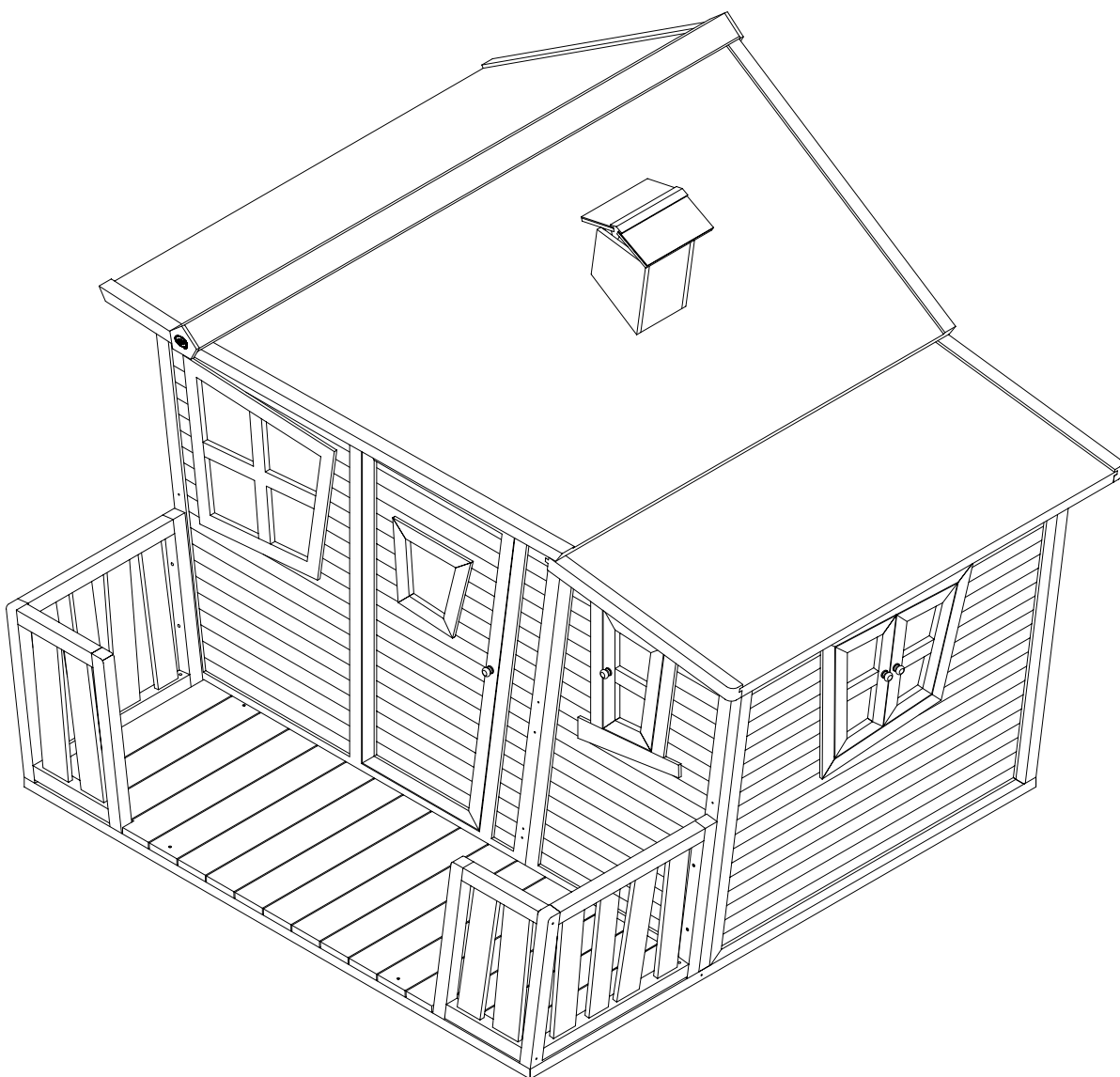
29	3x	30	31	s1	14x	s5	4x

A030.115.00



B

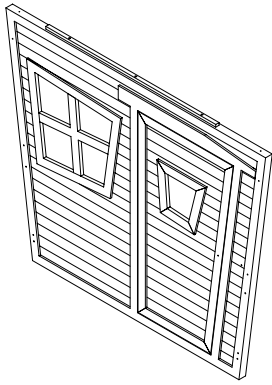
s5



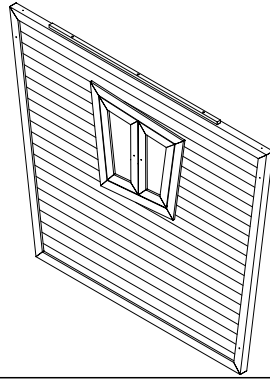


Lisa

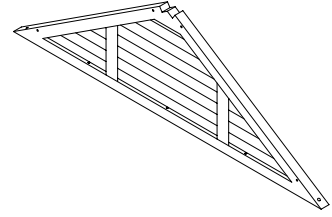
A030.111.00



10



12



17

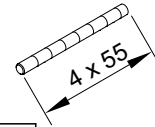
2x



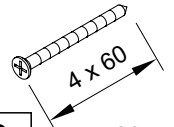
13

14x

t1



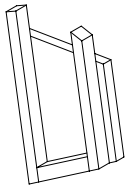
7x



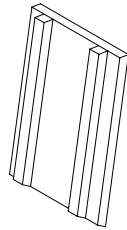
s2

26x

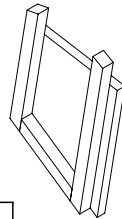
A030.113.00



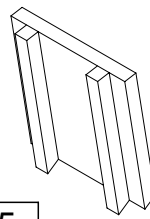
22



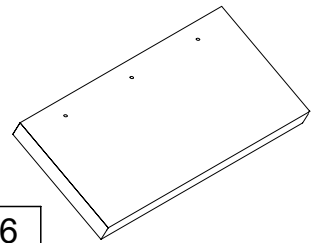
23



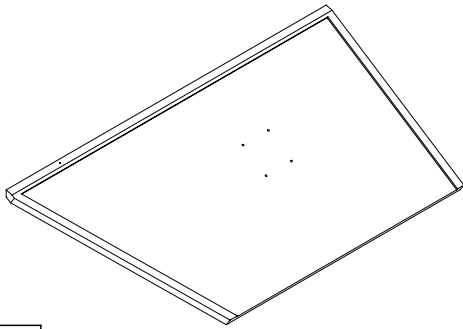
24



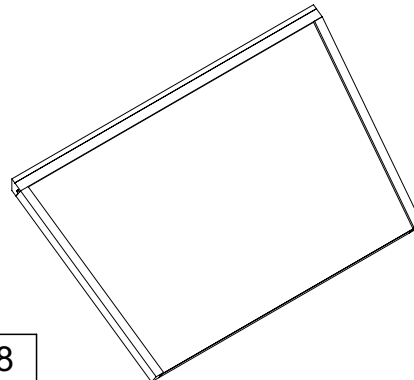
25



26



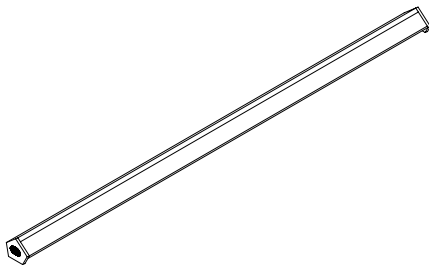
27



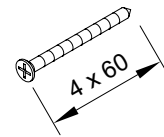
28

26A

26B

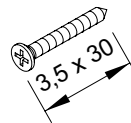


29



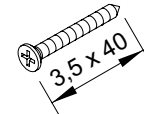
s2

8x



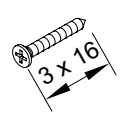
s3

16x



s4

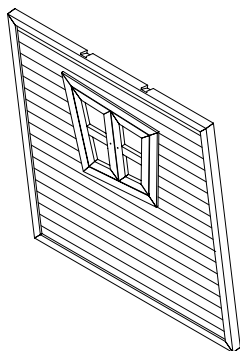
15x



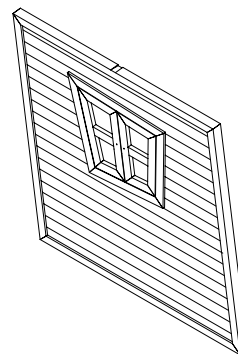
s6

6x

A030.117.00



11

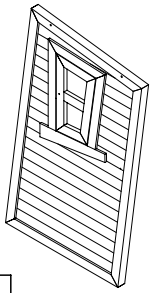


15

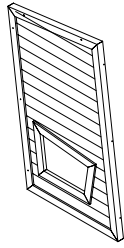


Lisa

A030.118.00

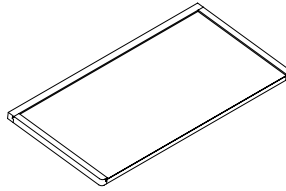


14



16

20

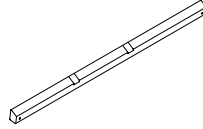


13



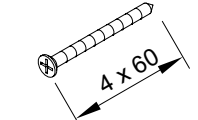
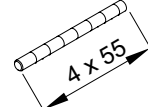
2x

21



t1

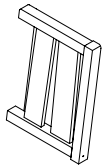
1x



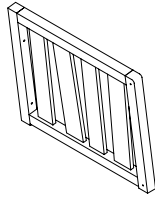
s2

14x

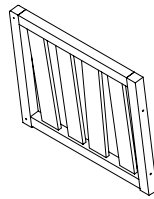
A030.119.00



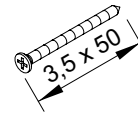
6



7

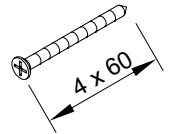


8



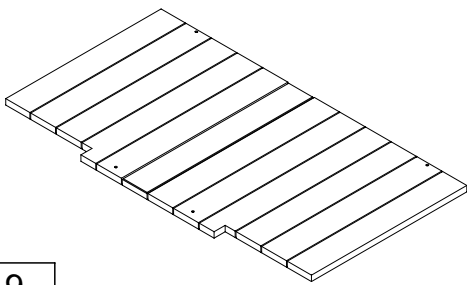
s1

12x



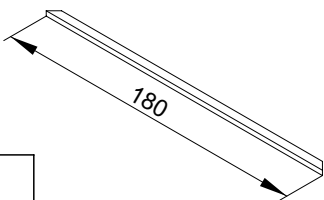
s2

12x

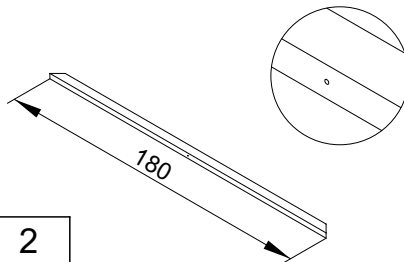


9

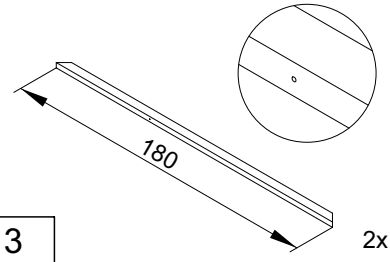
A030.120.00



1

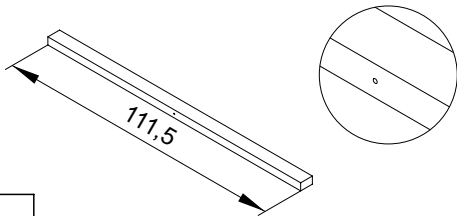


2

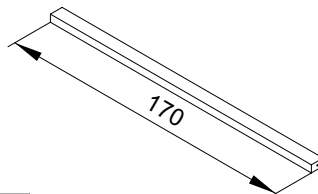


3

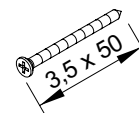
2x



4

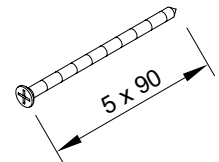


5



s1

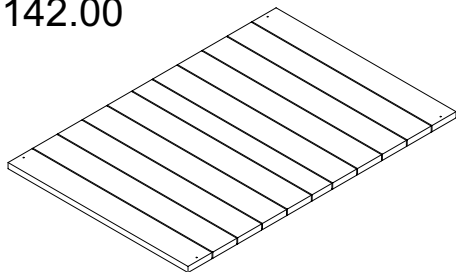
8x



s5

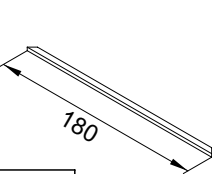
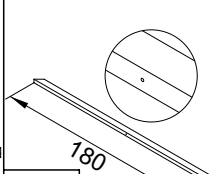
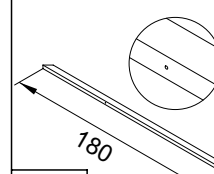
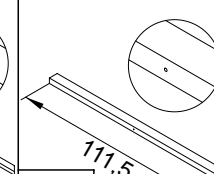
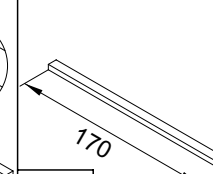
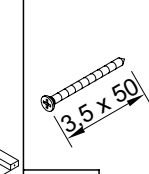
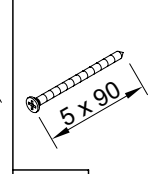
4x

A030.142.00

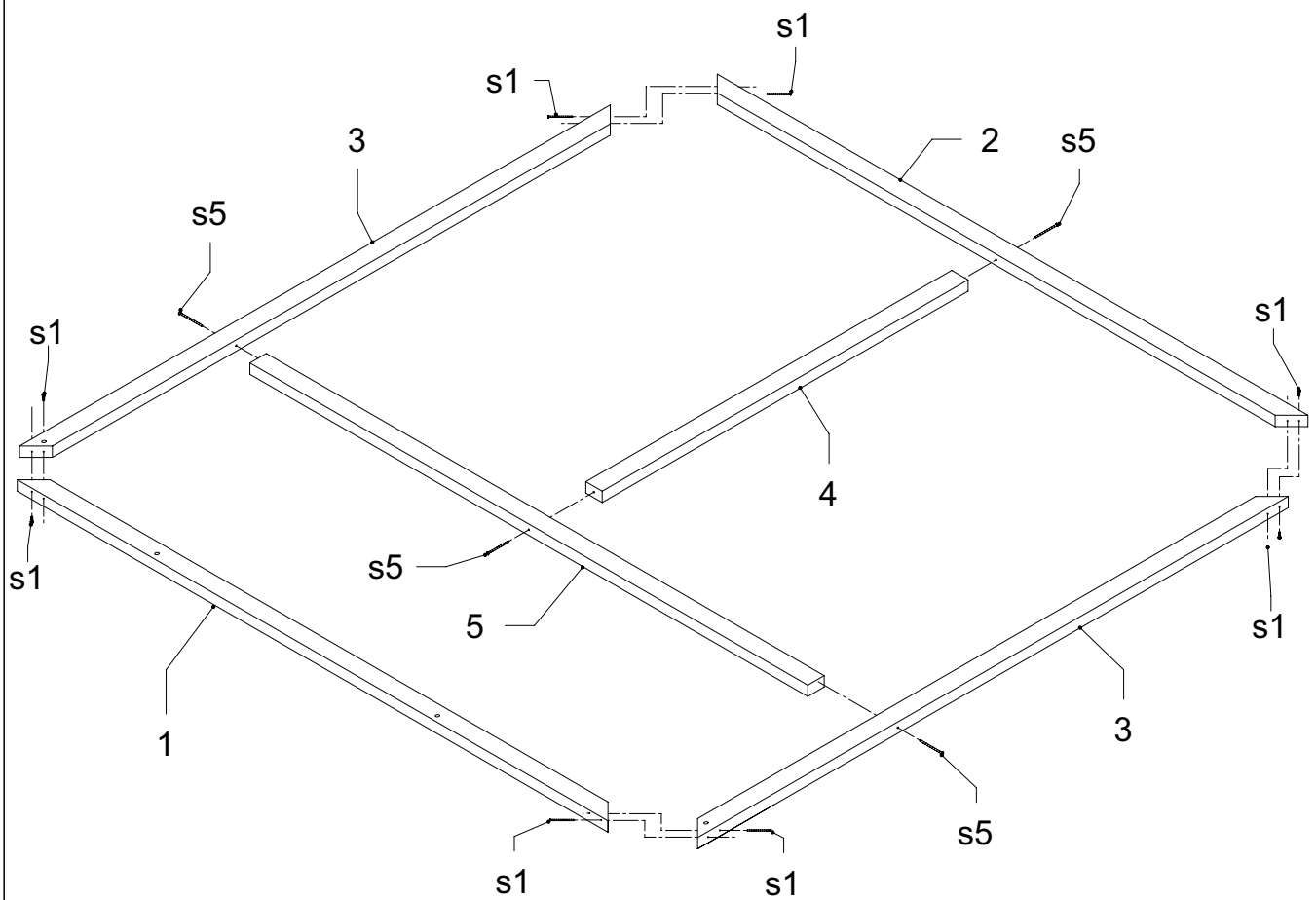


19

2x

 1	 2	 3	 4	 5	 s1 8x	 s5 4x
--	--	--	--	---	--	--

A030.120.00

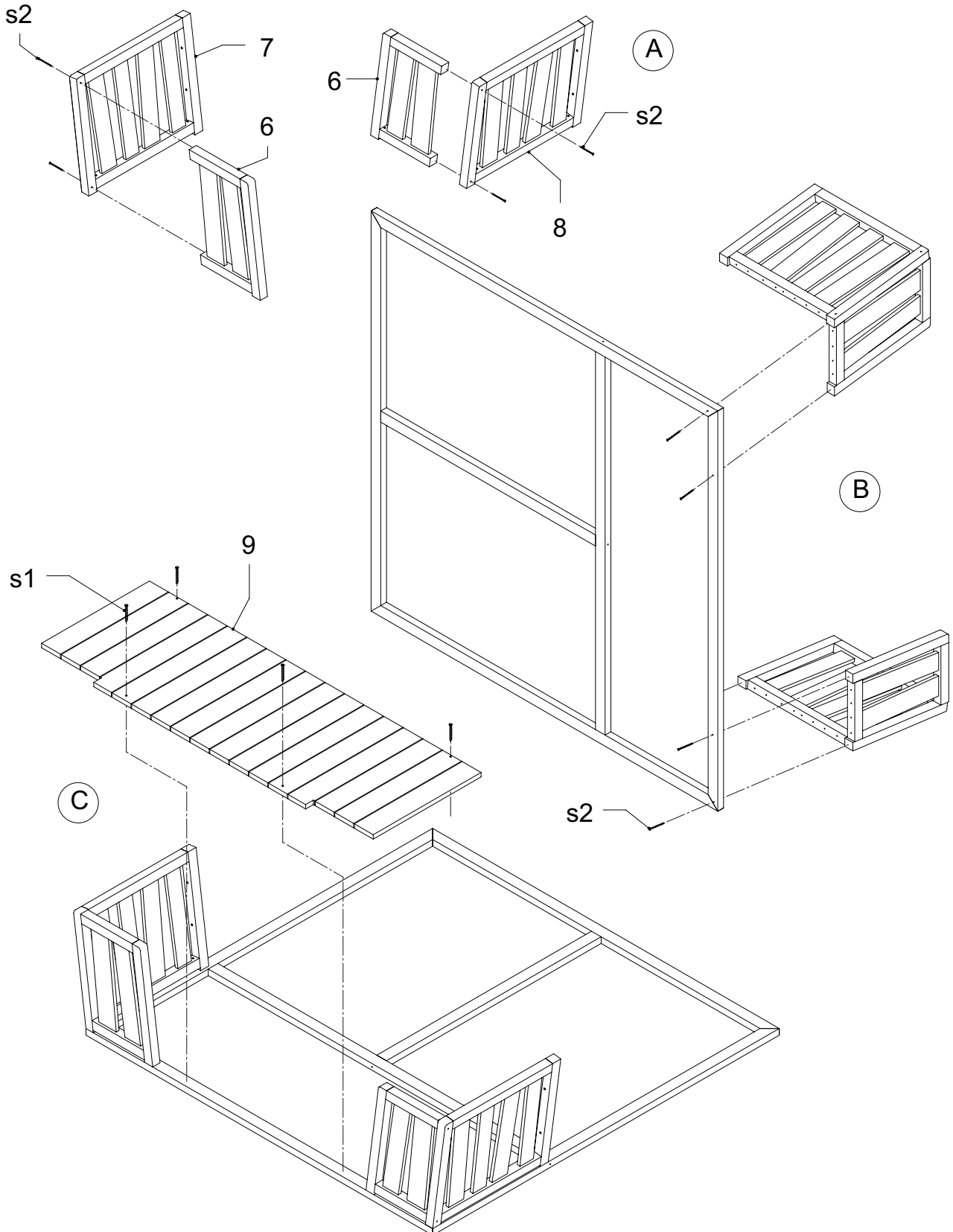




Lisa

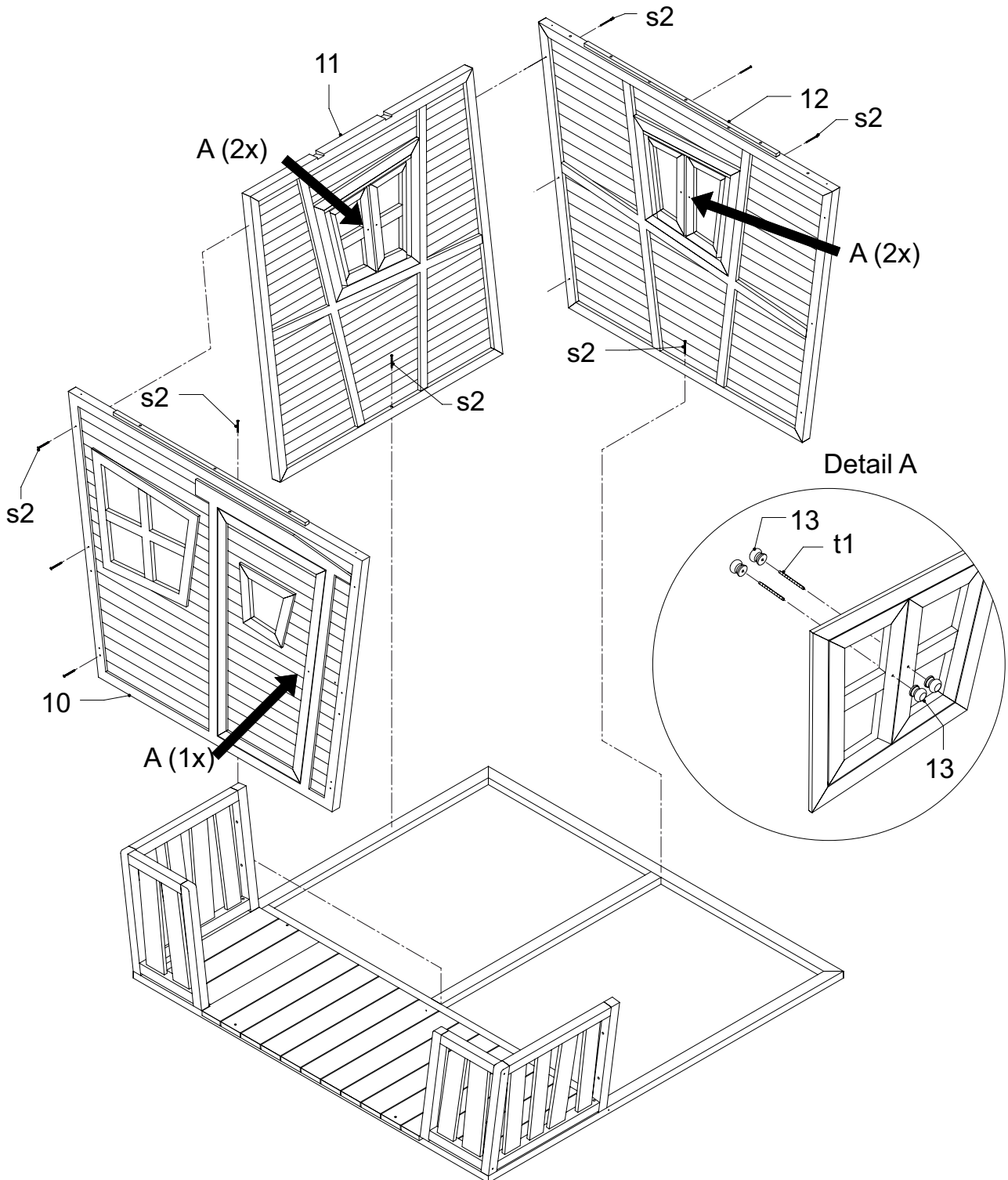
6	2x	7	8	9	s1	4x	s2	8x

A030.119.00



<p>10</p>	<p>11</p>	<p>12</p>	<p>13</p>	<p>10x t1</p>	<p>5x s2</p>
-----------	-----------	-----------	-----------	---------------	--------------

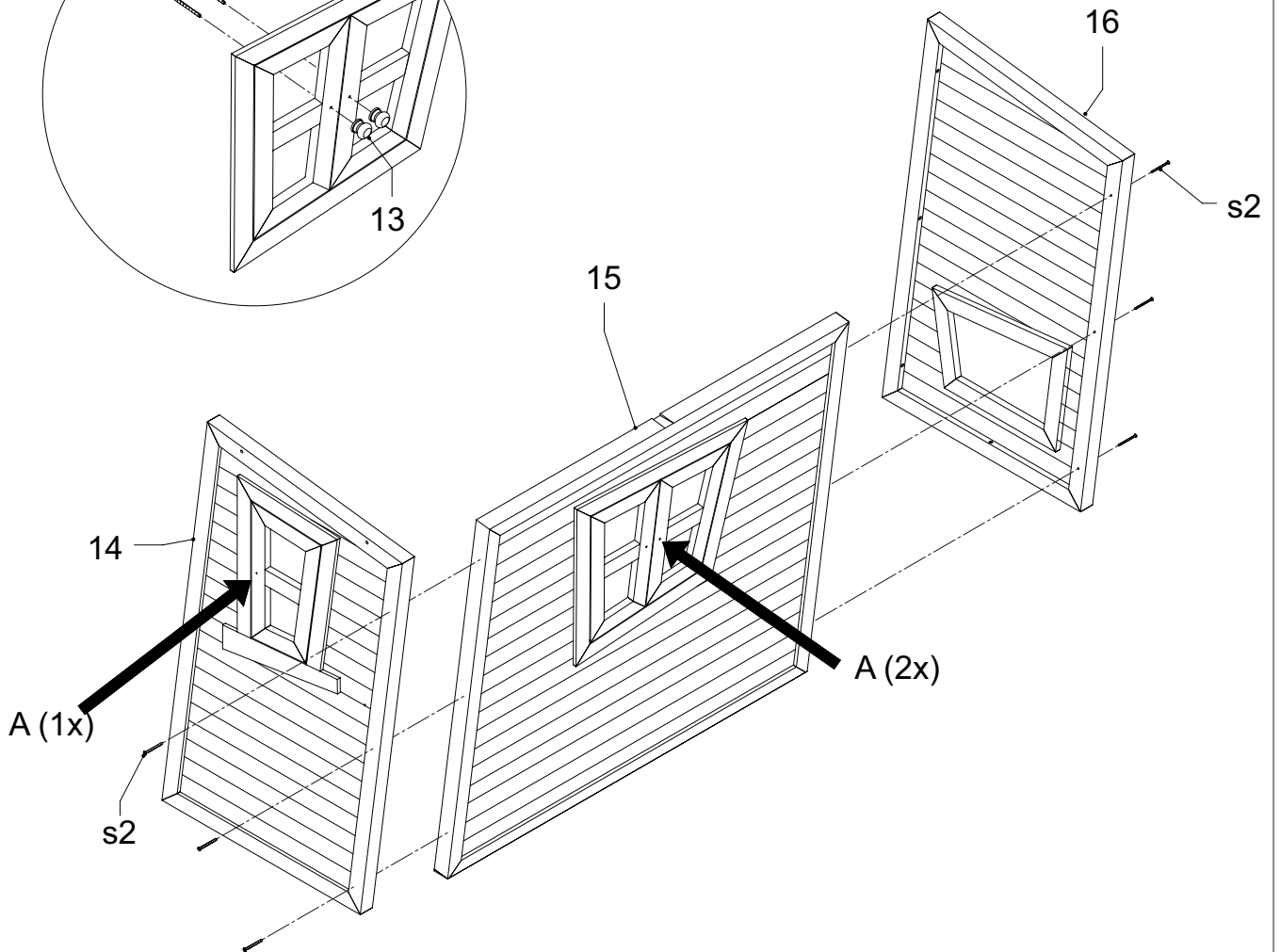
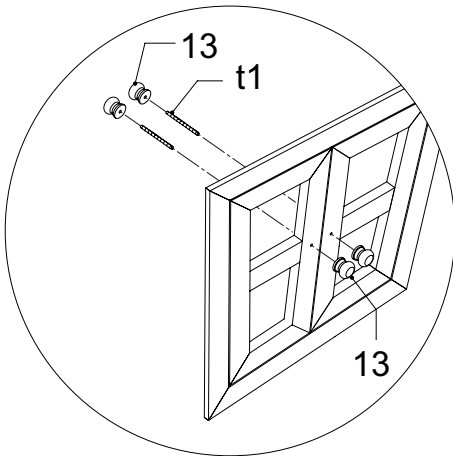
A030.111.00 + A030.117.00

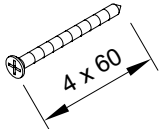


14	15	16	13	6x	t1	3x	s2	6x

A030.117.00 + A030.118.00

Detail A

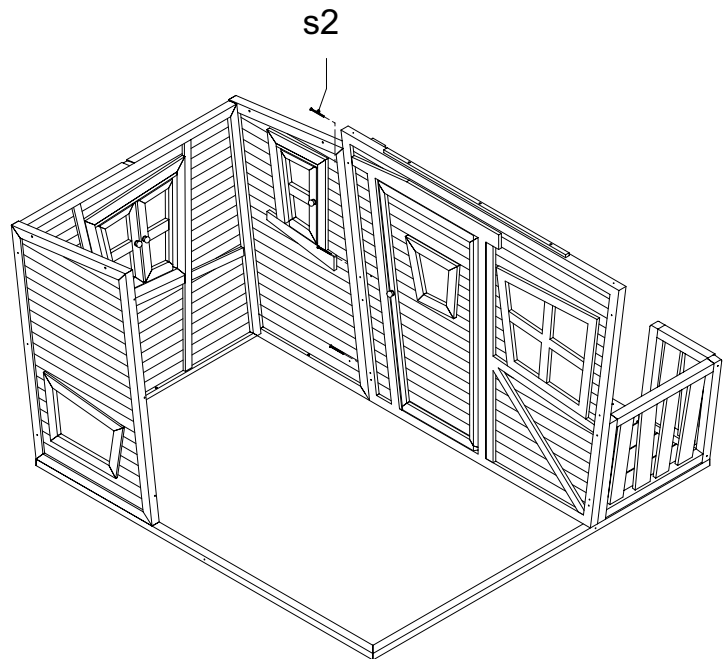
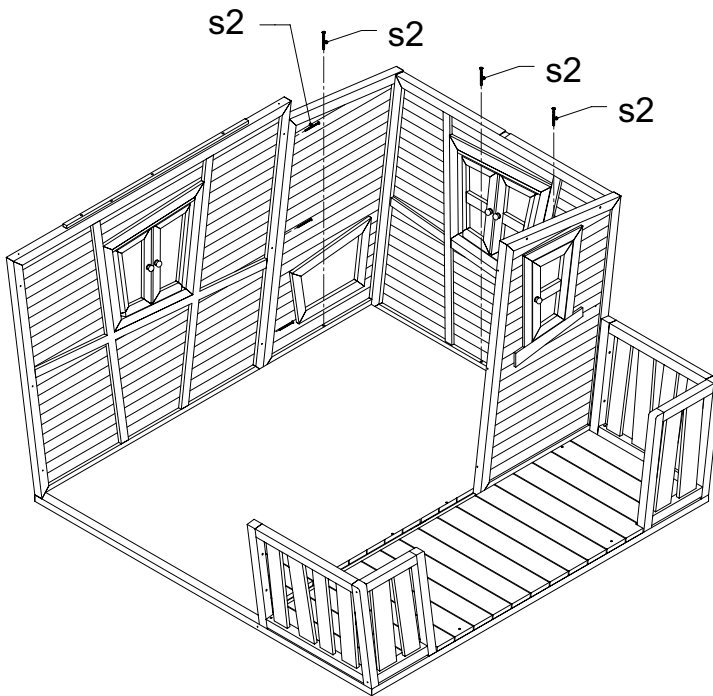


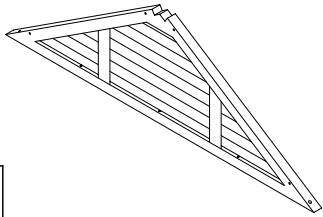


s2

9x

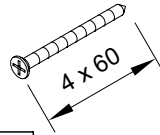
A030.111.00





2x

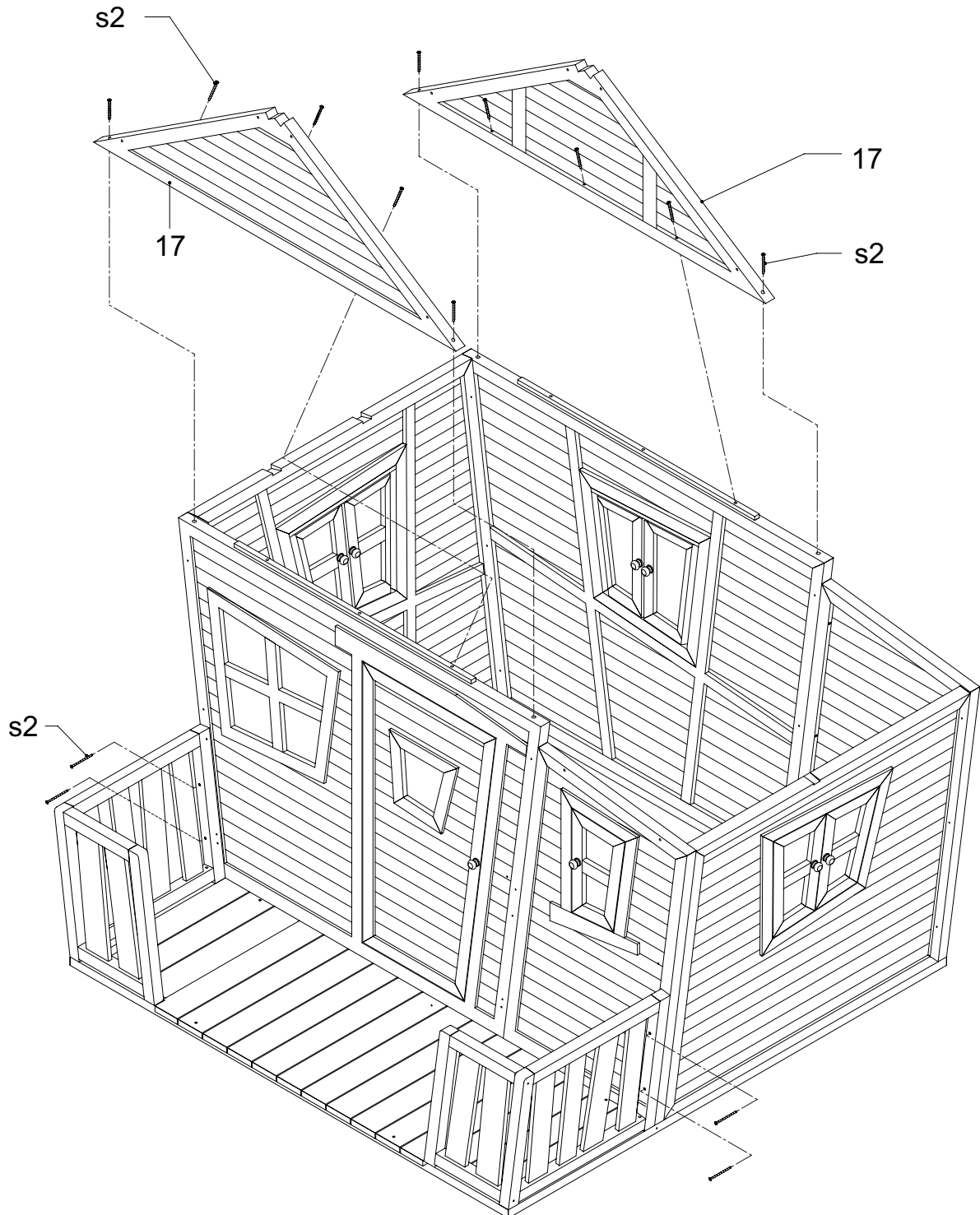
s2

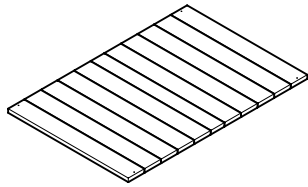


14x

17

A030.111.00 + A030.119.00

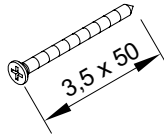




19

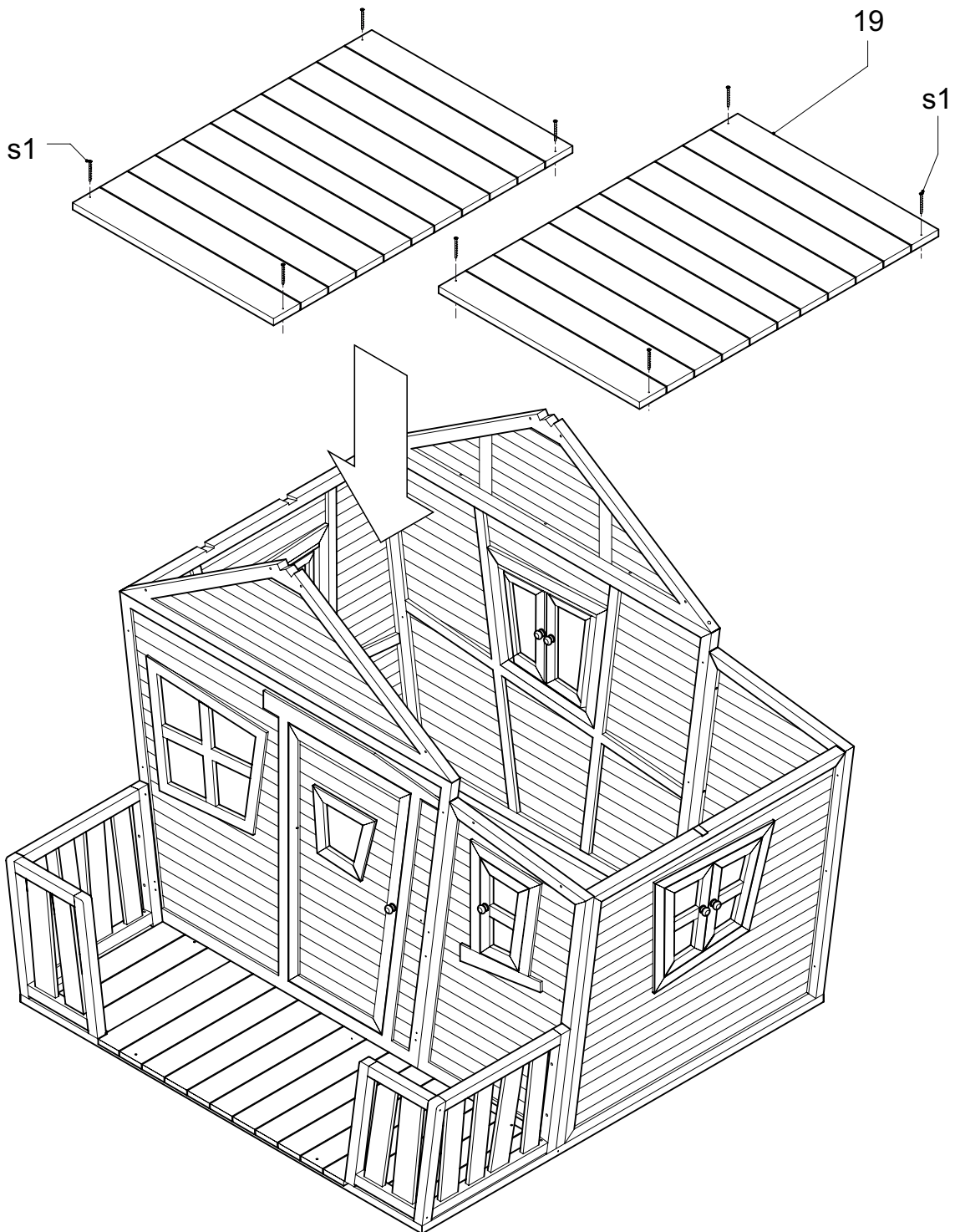
2x

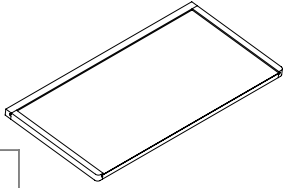
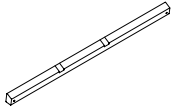
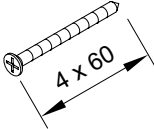
s1



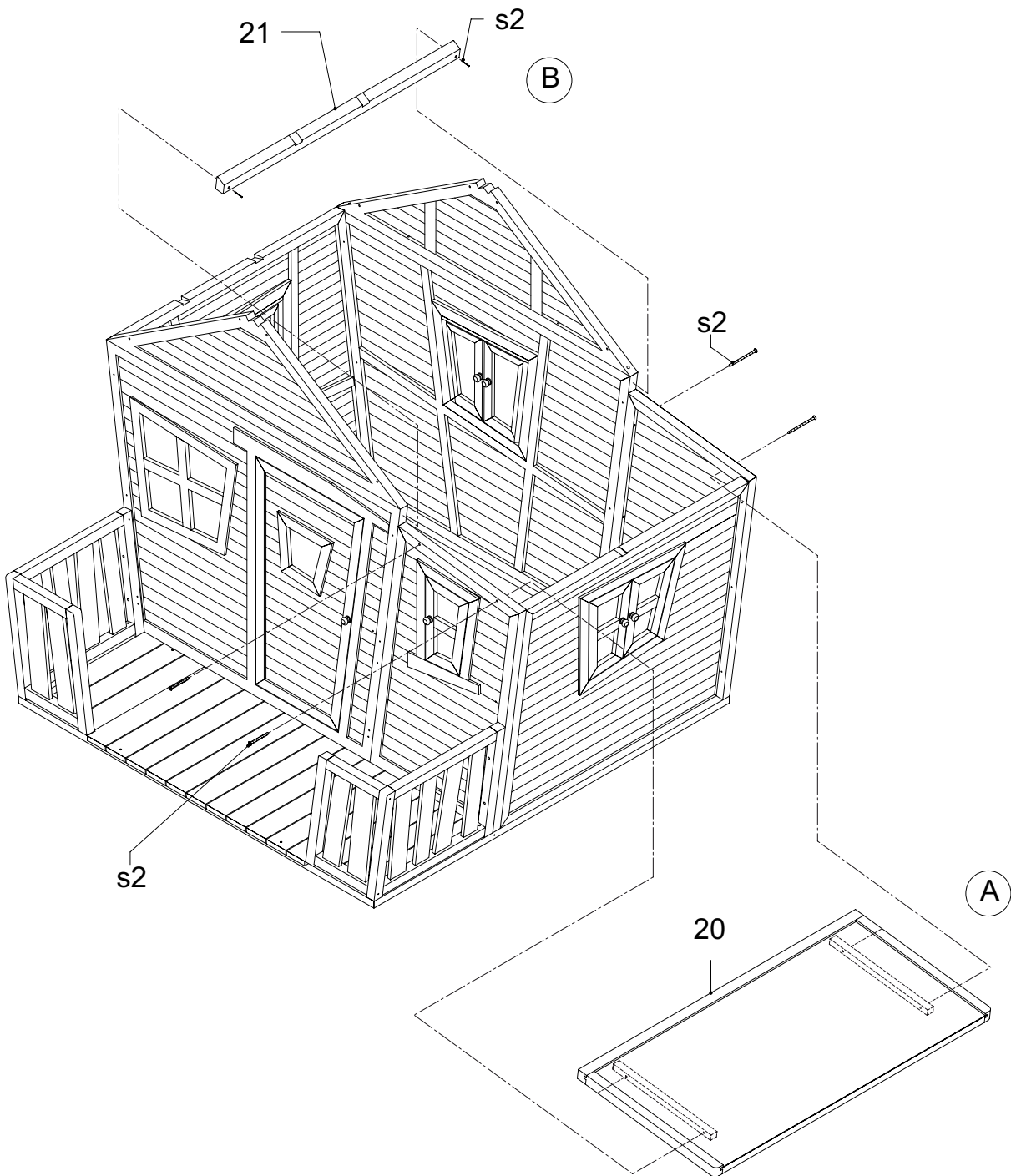
8x

A030.119.00 + A030.142.00



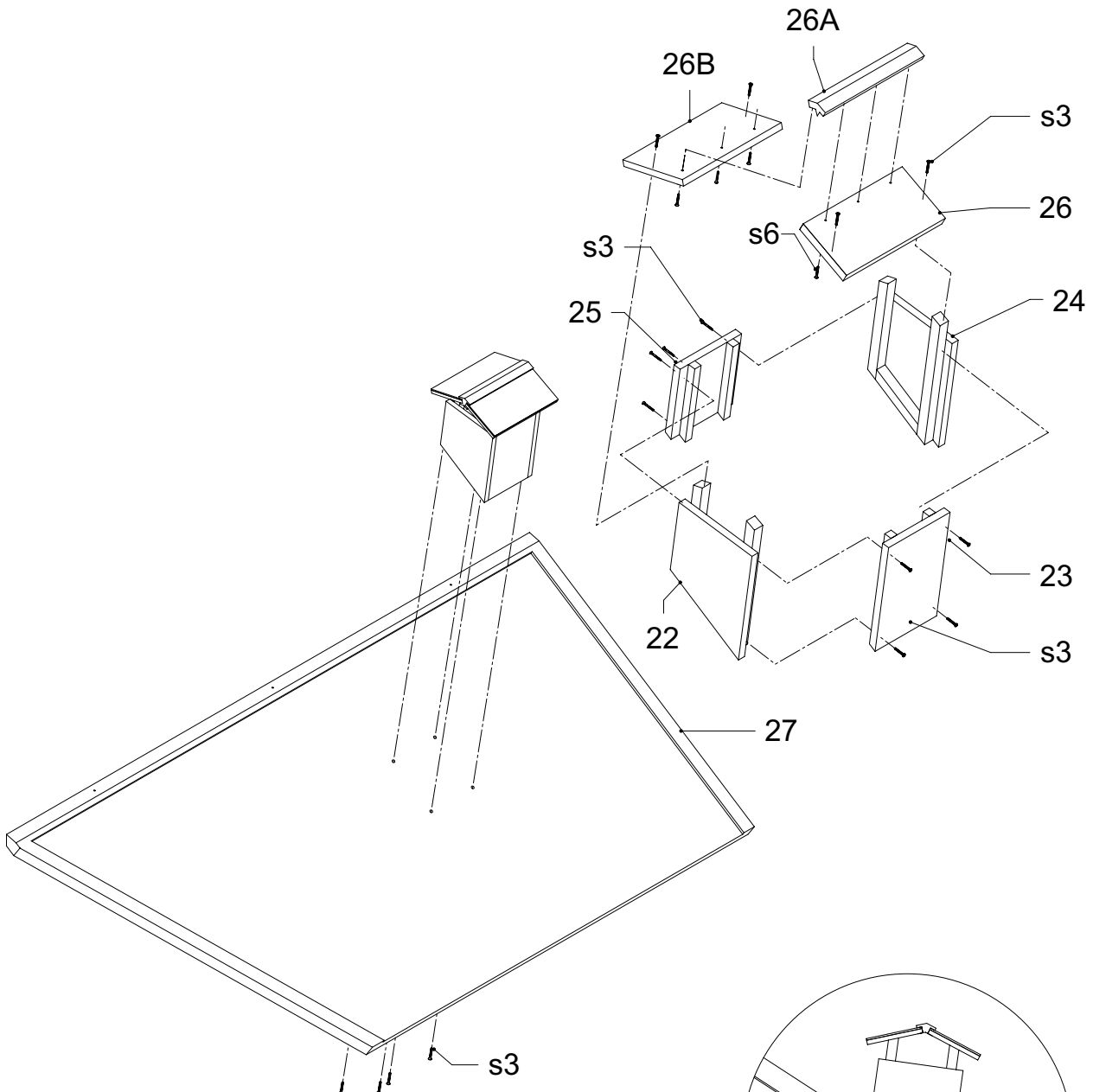
			6x
20	21	s2	

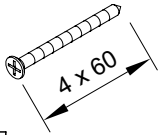
A030.118.00



22	23	24	25	26	26A	26B	27	s3 16x	s6 6x

A030.113.00

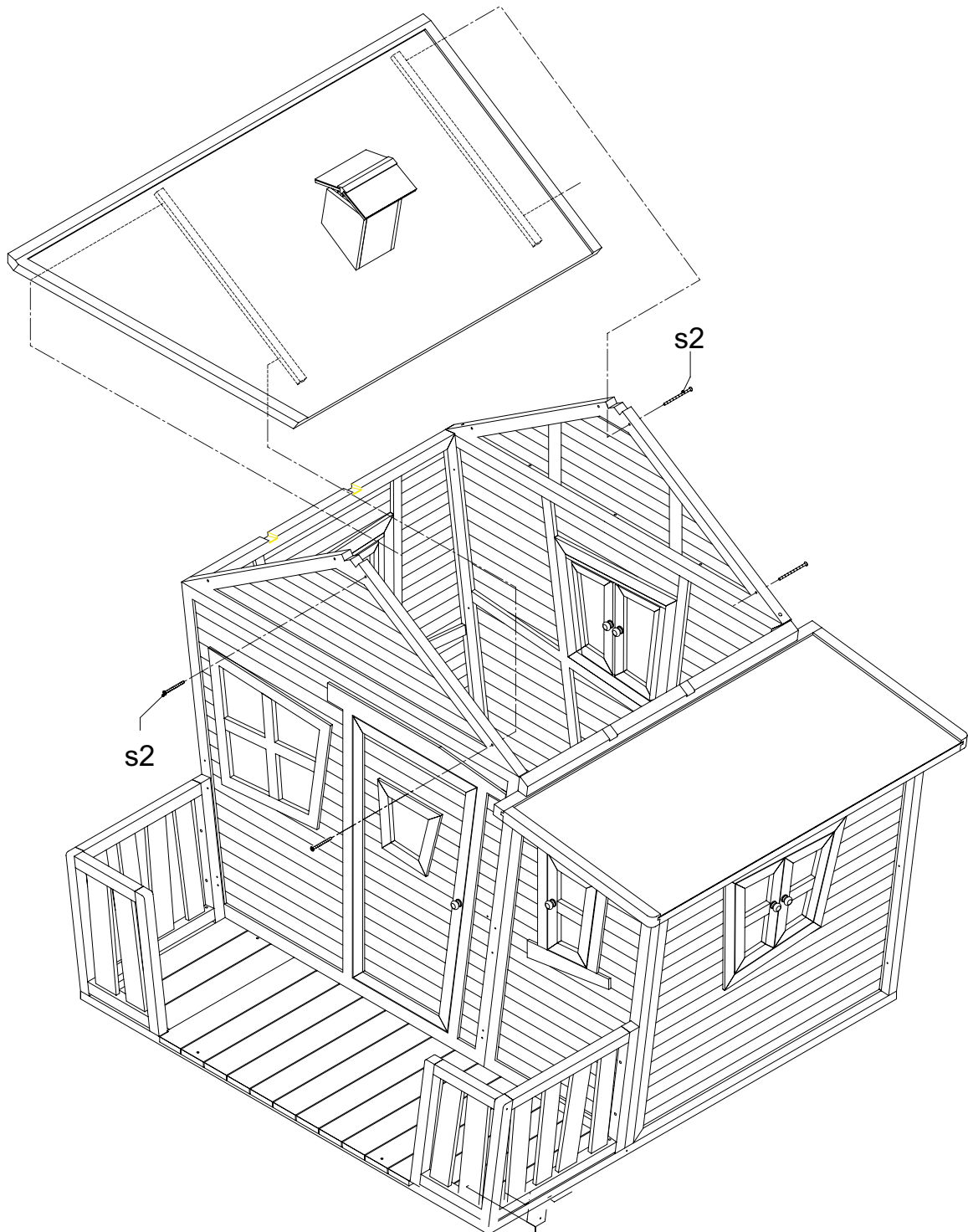


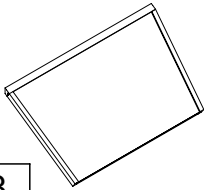


s2

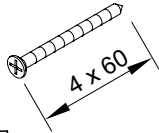
4x

A030.113.00





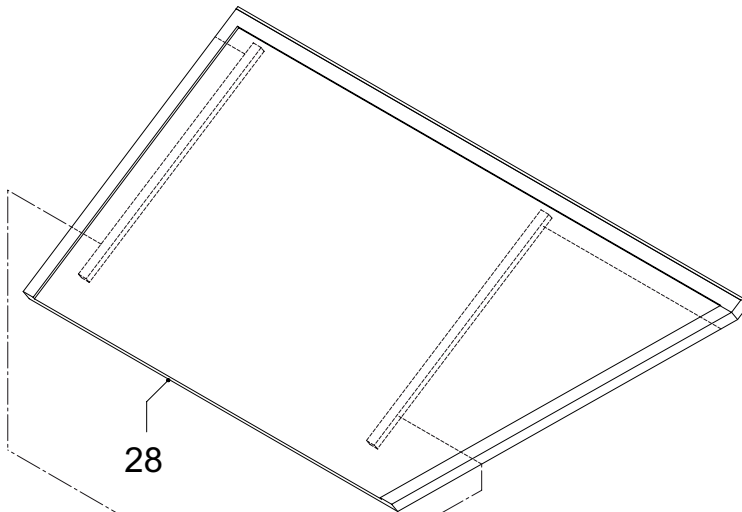
28



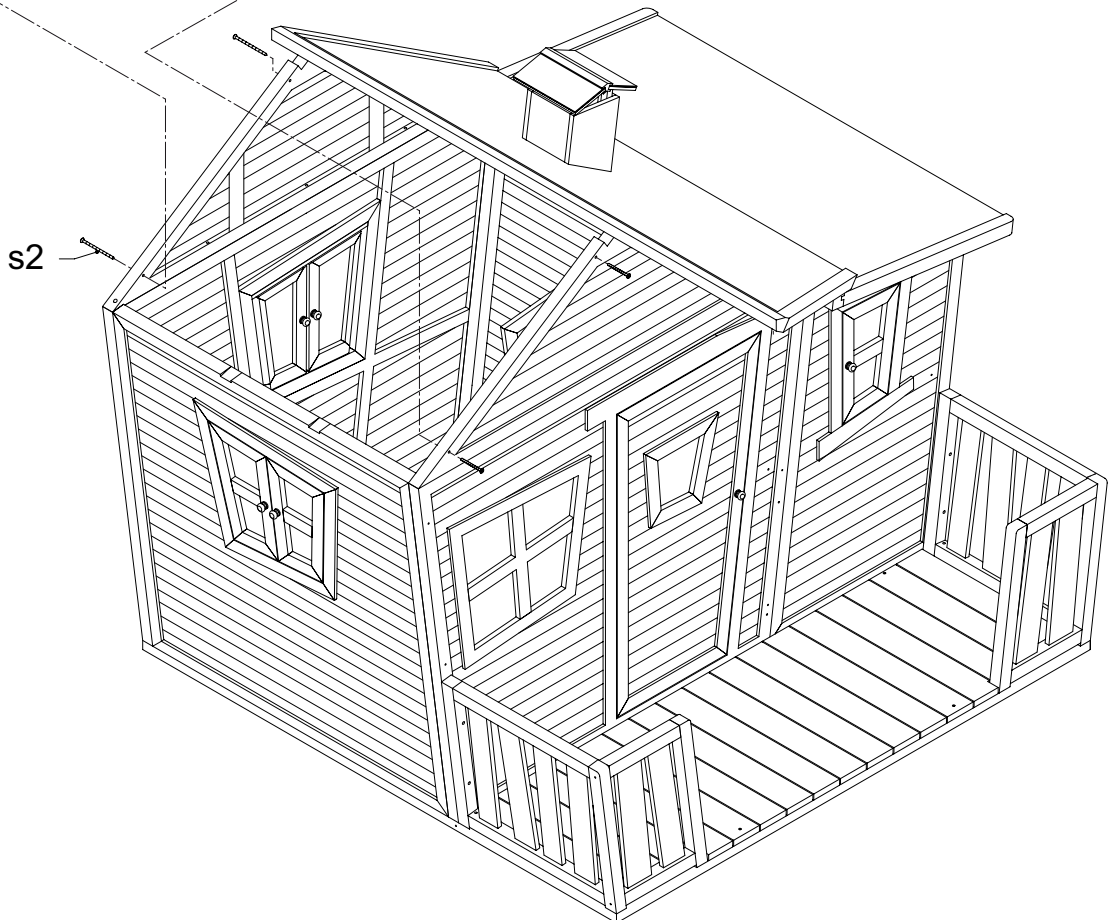
s2

4x

A030.113.00



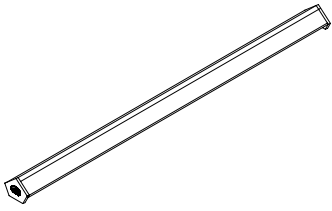
28



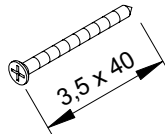
s2



29

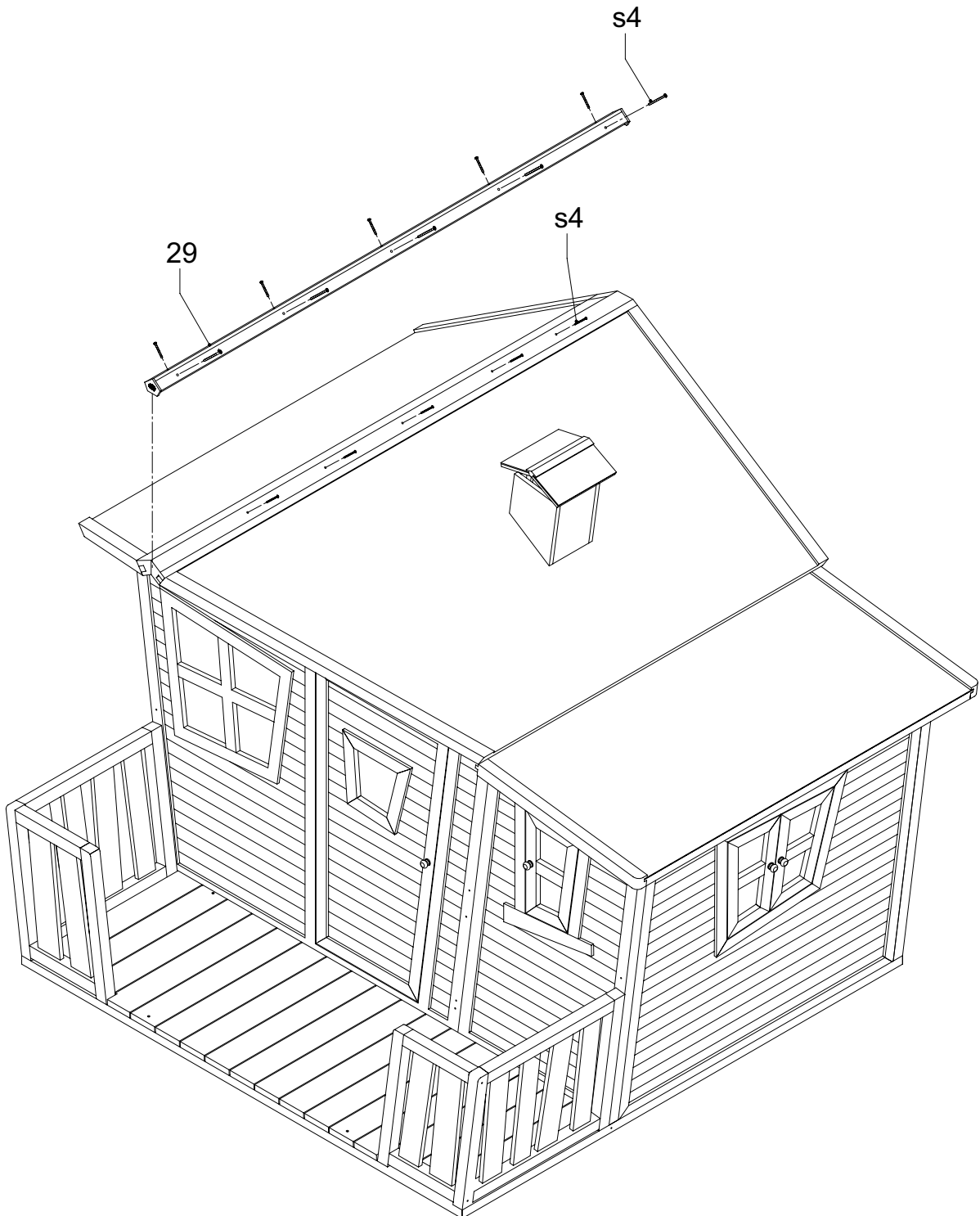


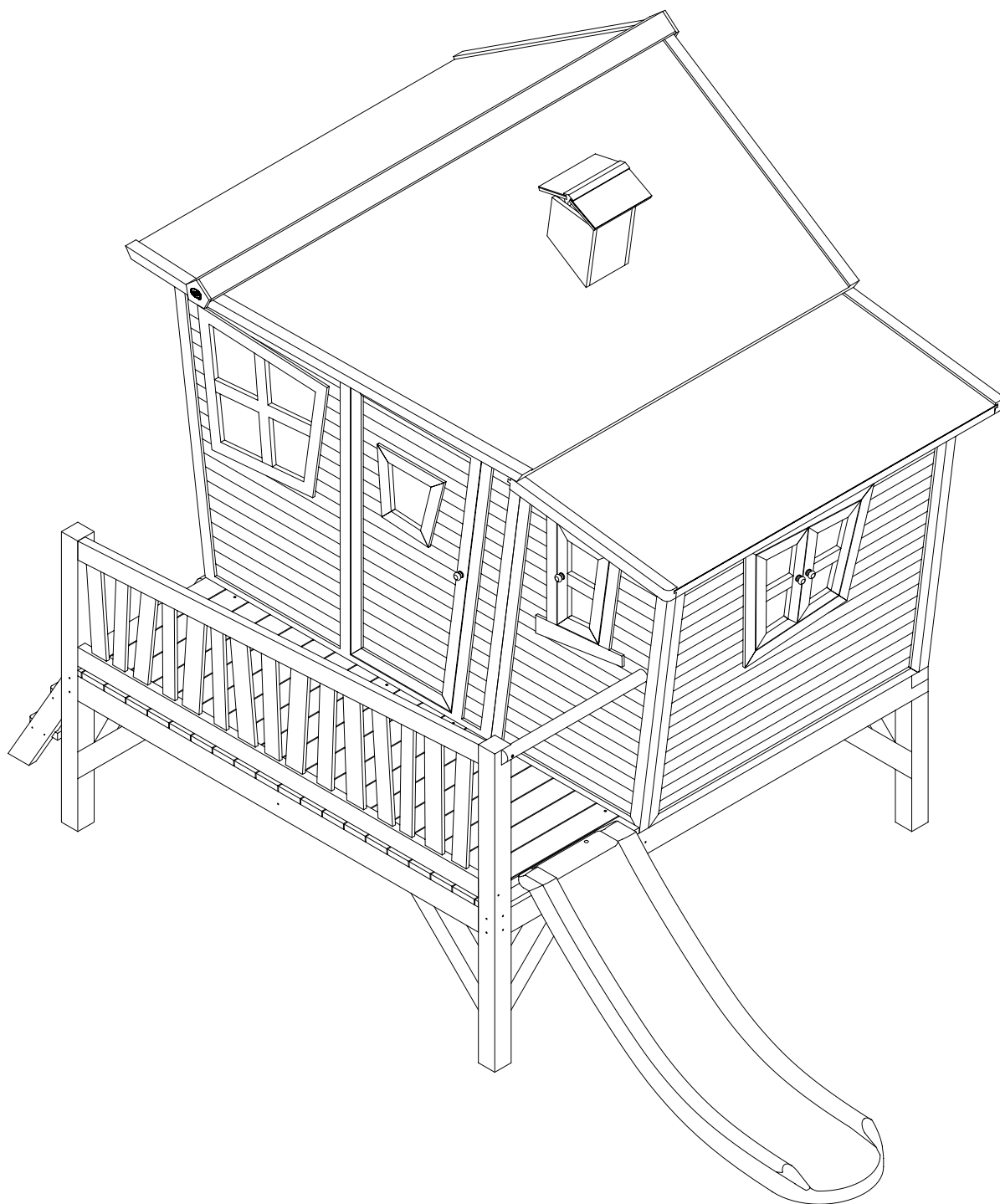
s4



15x

A030.113.00

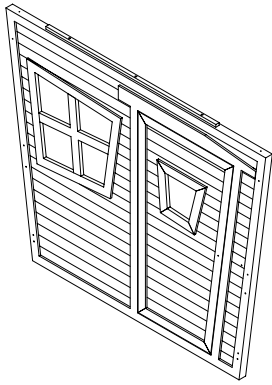




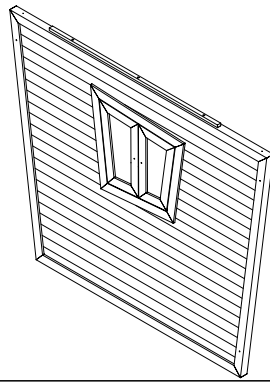


Emma

A030.111.00



1

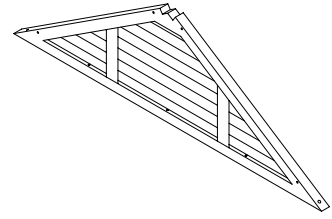


3



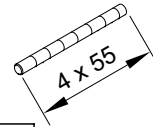
4

14x



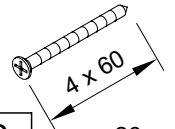
8

2x



t1

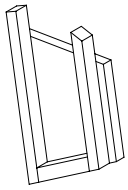
7x



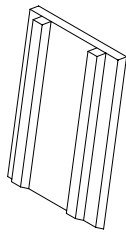
s2

26x

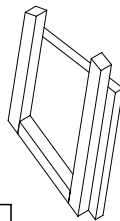
A030.113.00



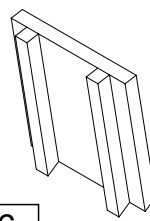
13



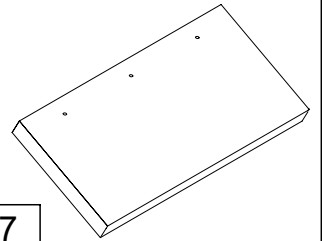
14



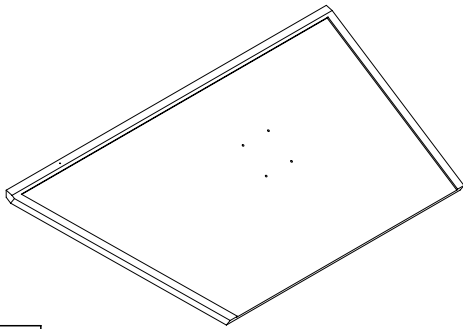
15



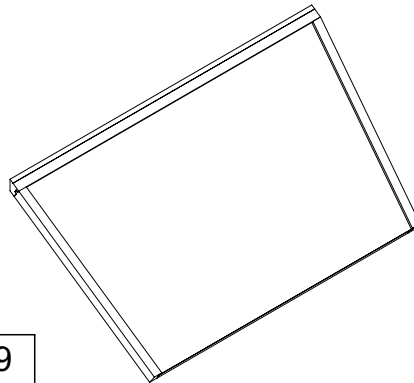
16



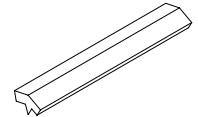
17



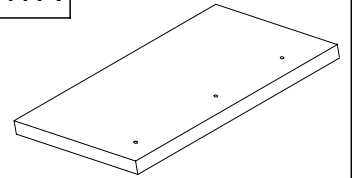
18



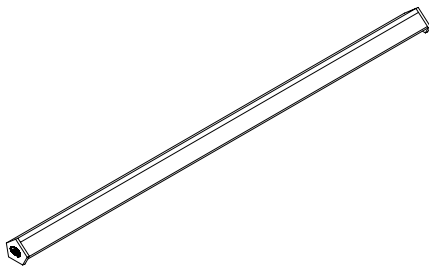
19



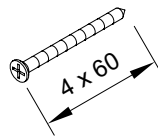
17A



17B

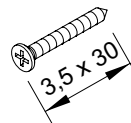


20



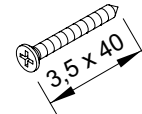
s2

8x



s3

16x



s4

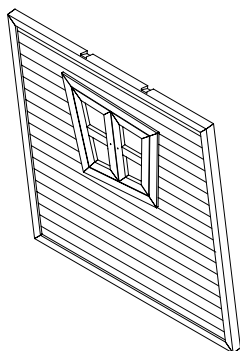
15x



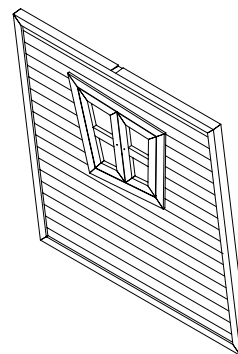
s6

6x

A030.117.00



2

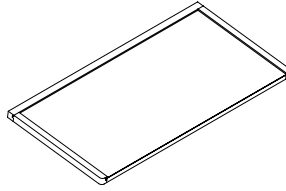
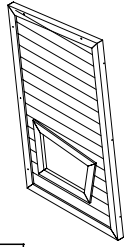
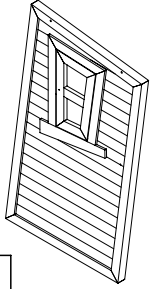


6



Emma

A030.118.00



5

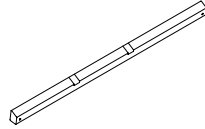
7

11

4

2x

12

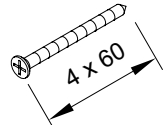
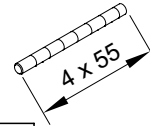


t1

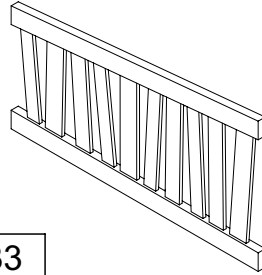
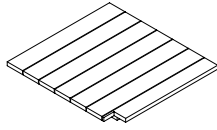
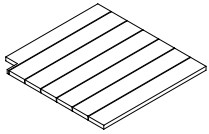
1x

s2

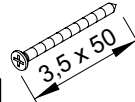
14x



A030.121.00

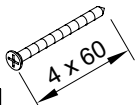


s1

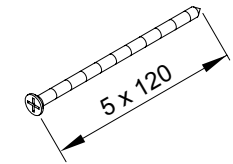


16x

s2



2x



s7

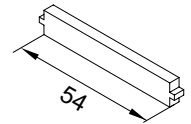
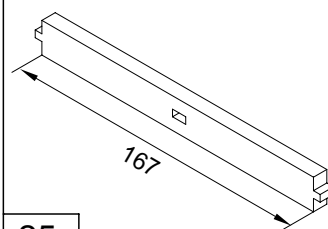
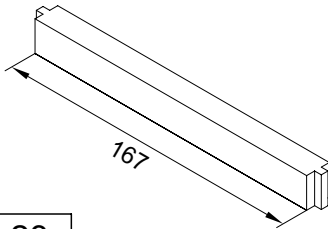
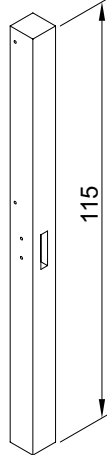
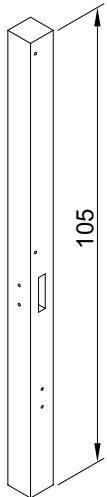
4x

32

32A

33

A030.122.00



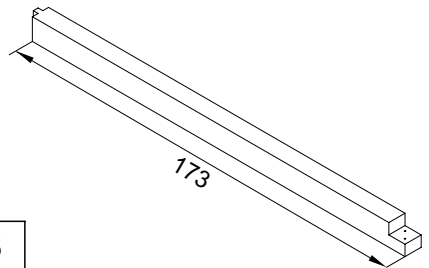
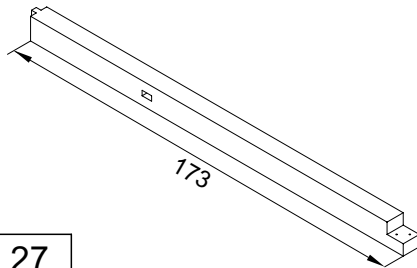
21

22

23

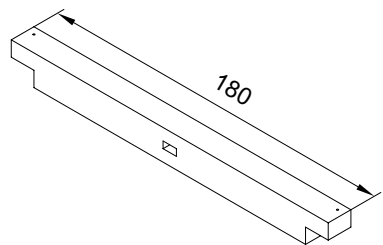
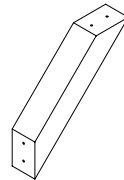
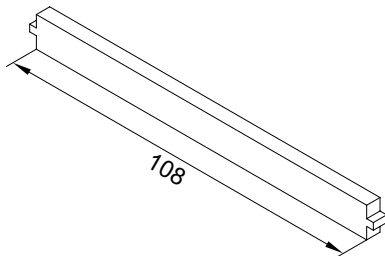
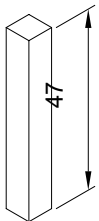
25

26



27

28



29

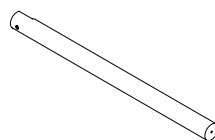
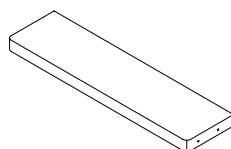
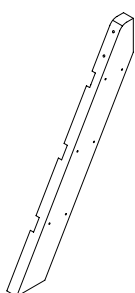
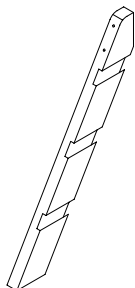
2x

30

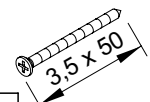
24

8x

31

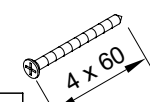


s1



14x

s2



16x

37

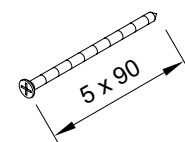
38

36

3x

35

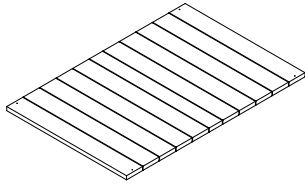
s5



40x



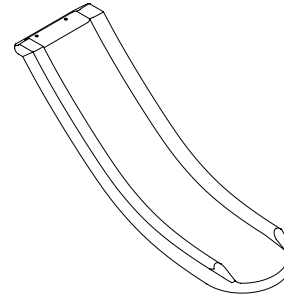
A030.142.00



9

2x

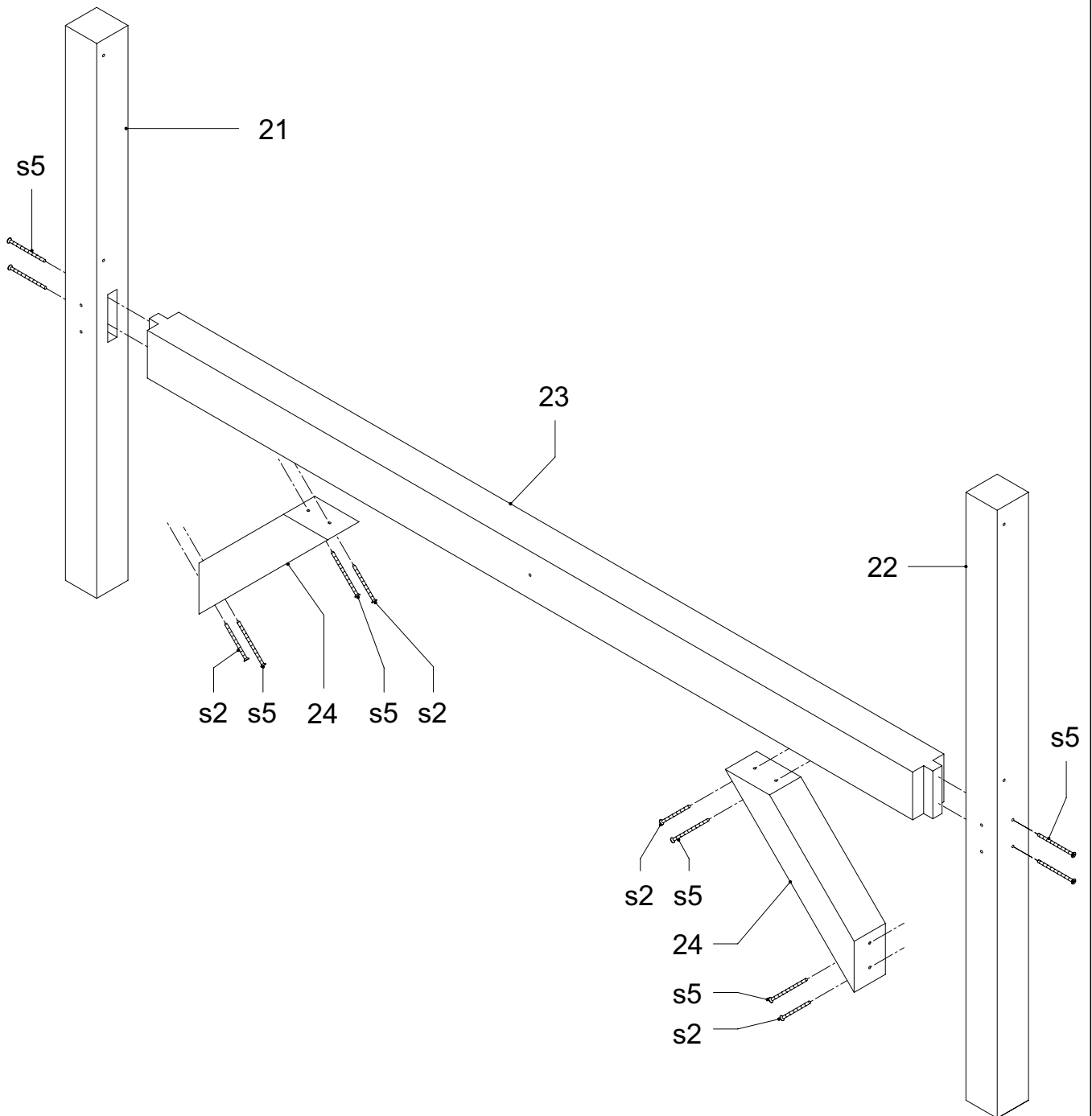
A030.031.00



34

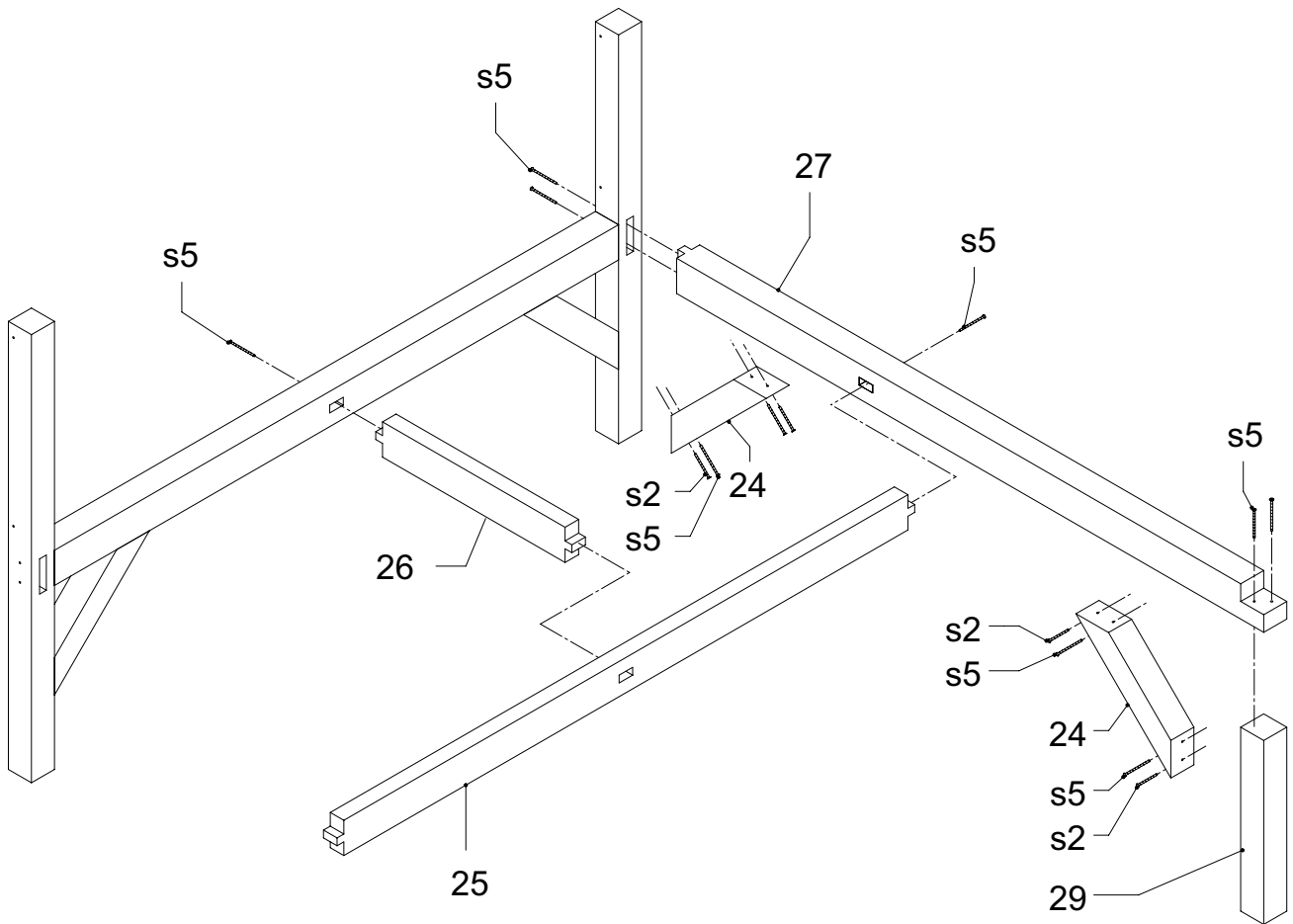
21	22	23	24	2x s5	8x s2

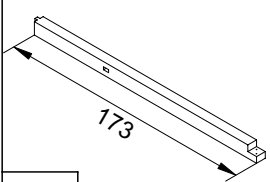
A030.122.00



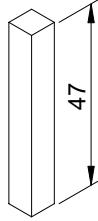
25	26	27	29	24 2x	s5 10x	s2 4x

A030.122.00

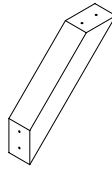




28

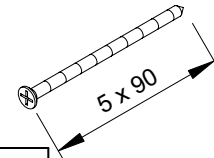


29



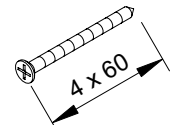
24

2x



s5

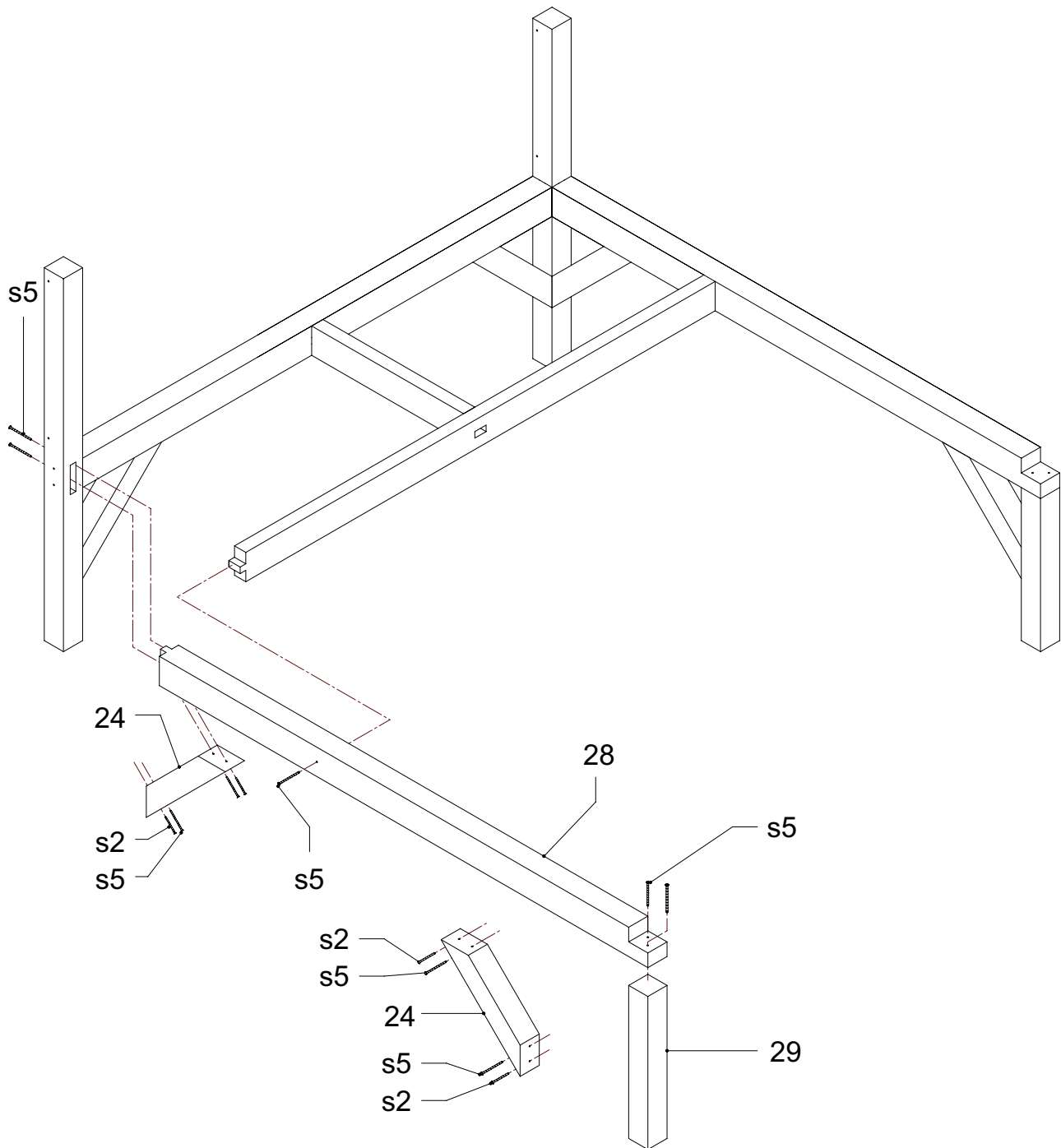
9x



s2

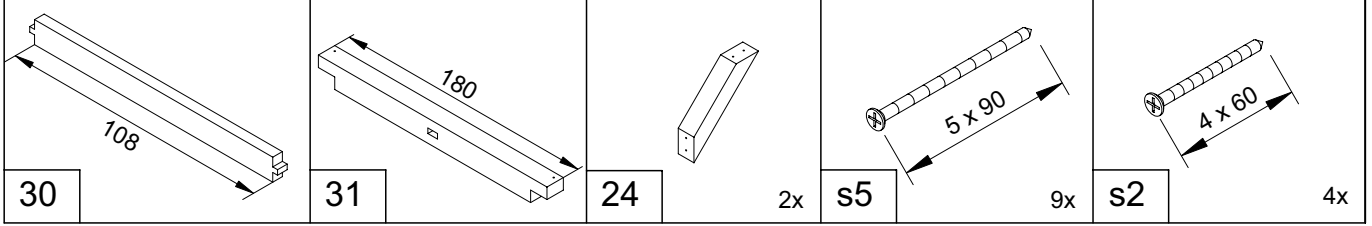
4x

A030.122.00

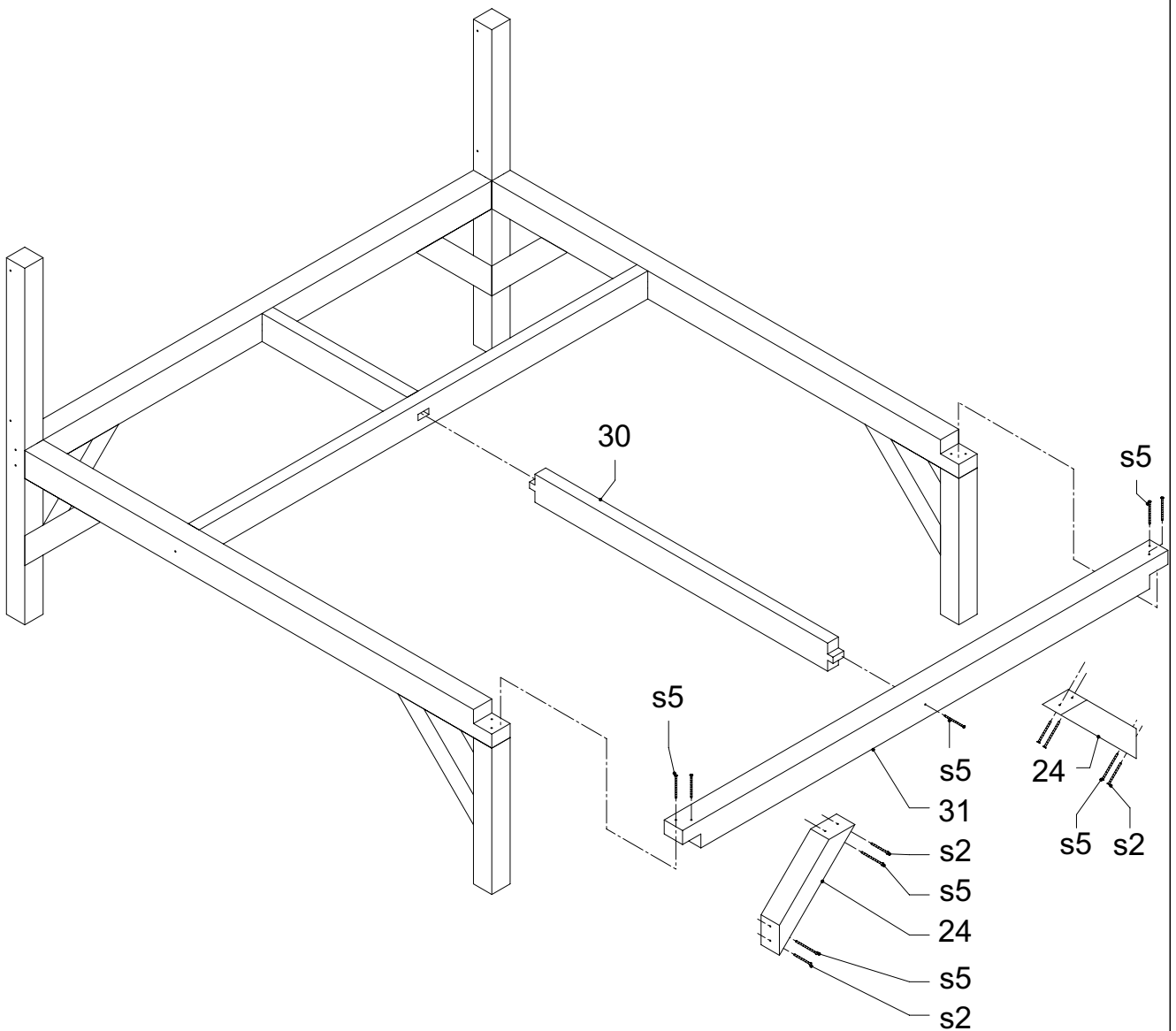


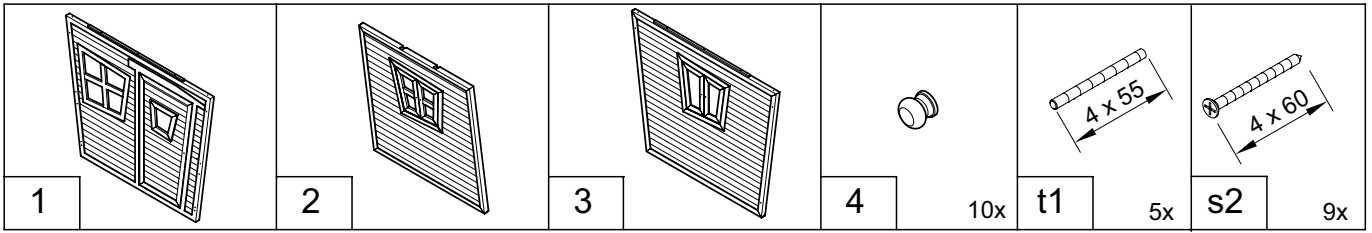


Emma

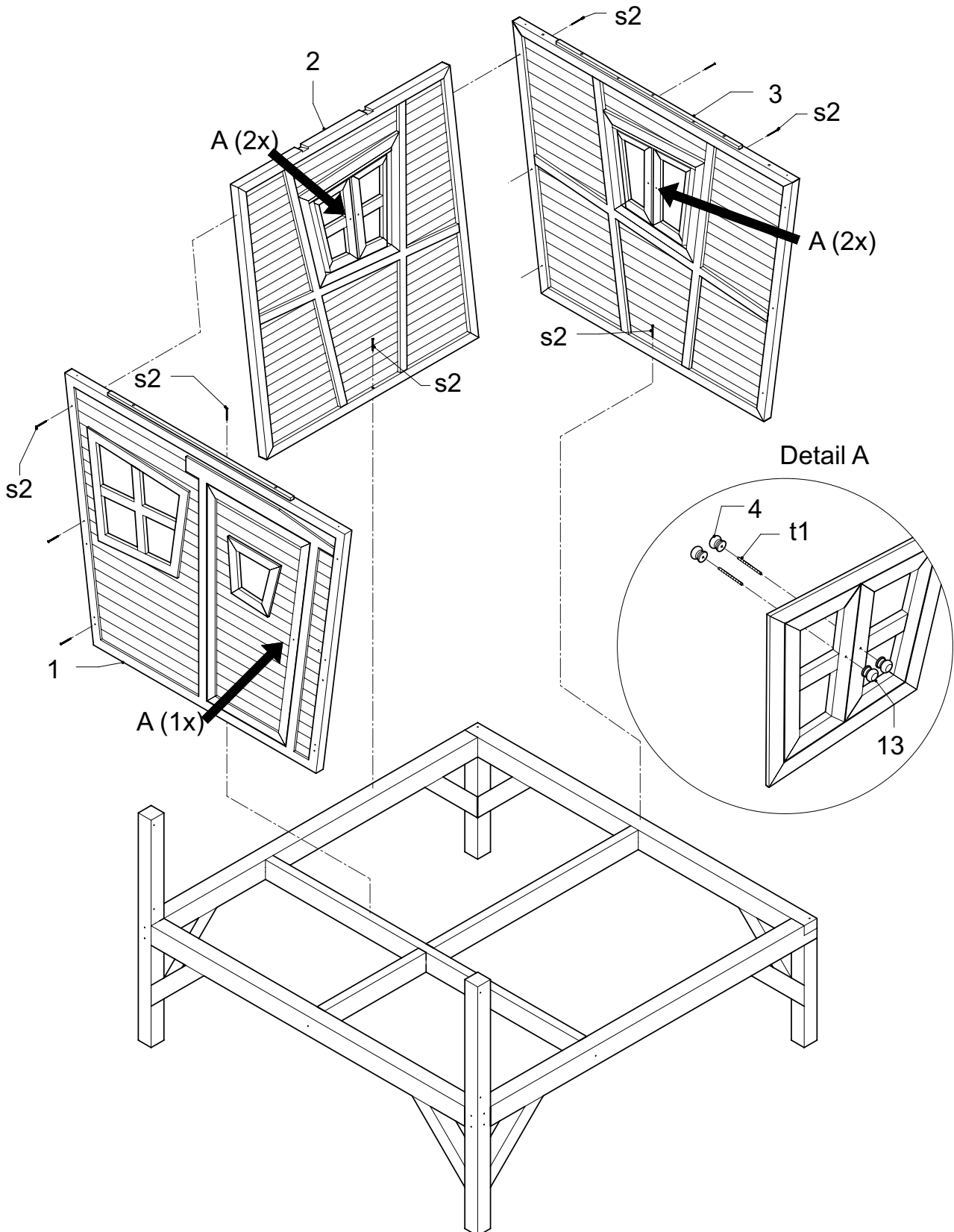


A030.122.00





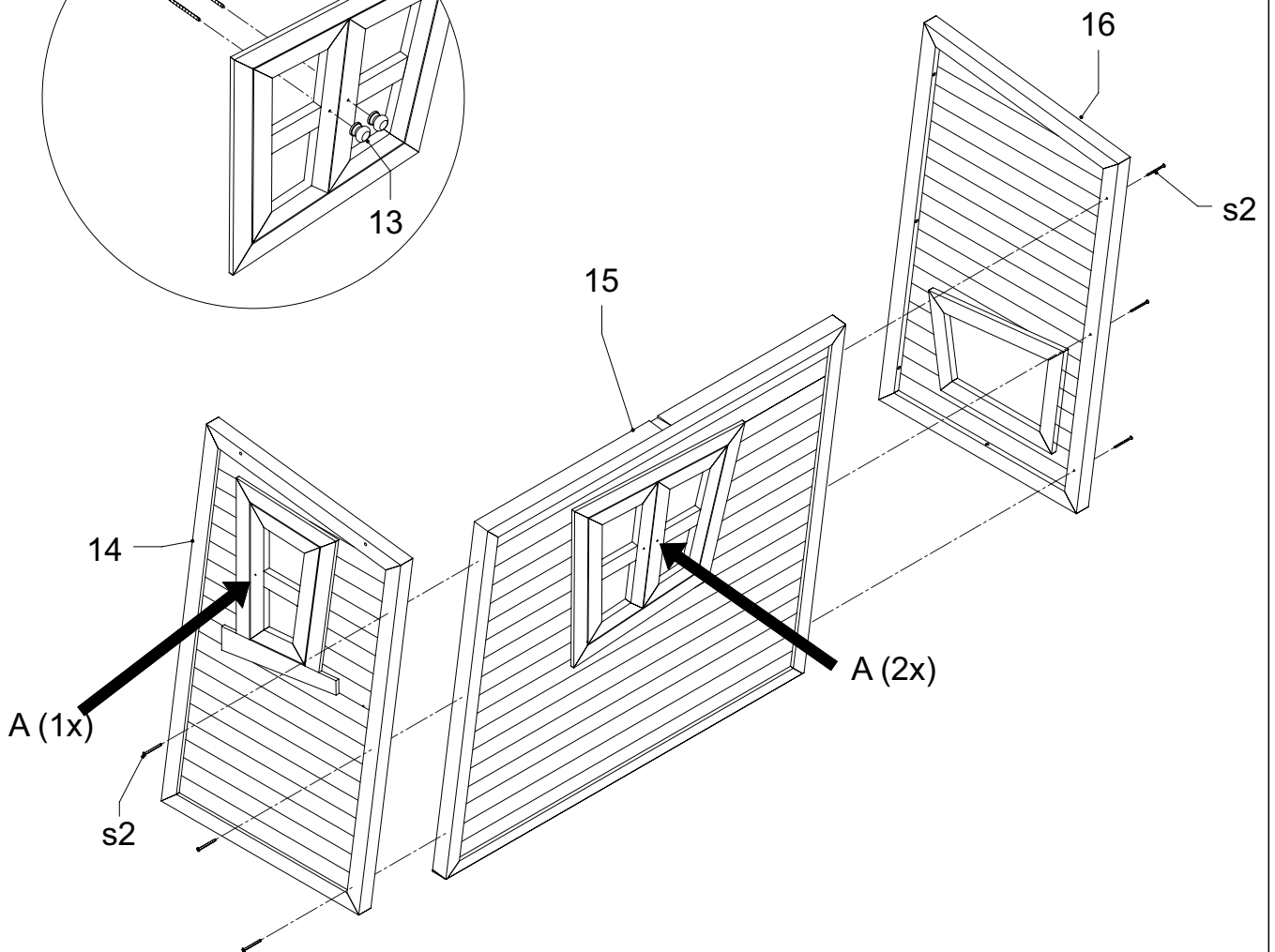
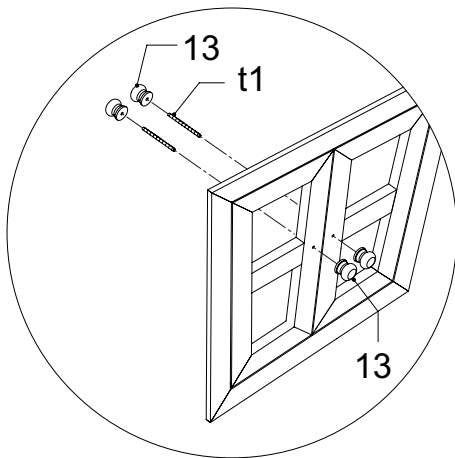
A030.111.00 + A030.117.00

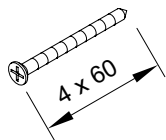


14	15	16	13	6x	t1	3x	s2	6x

A030.117.00 + A030.118.00

Detail A

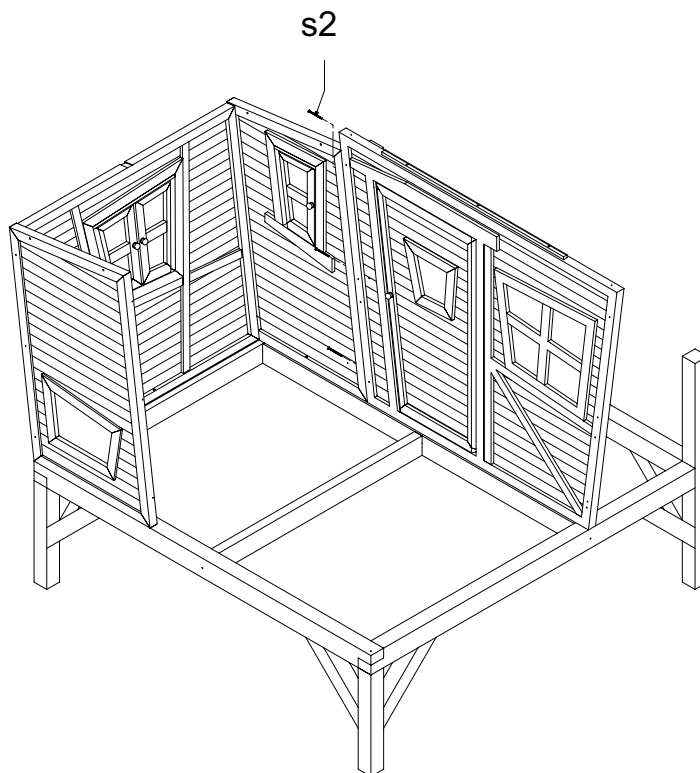
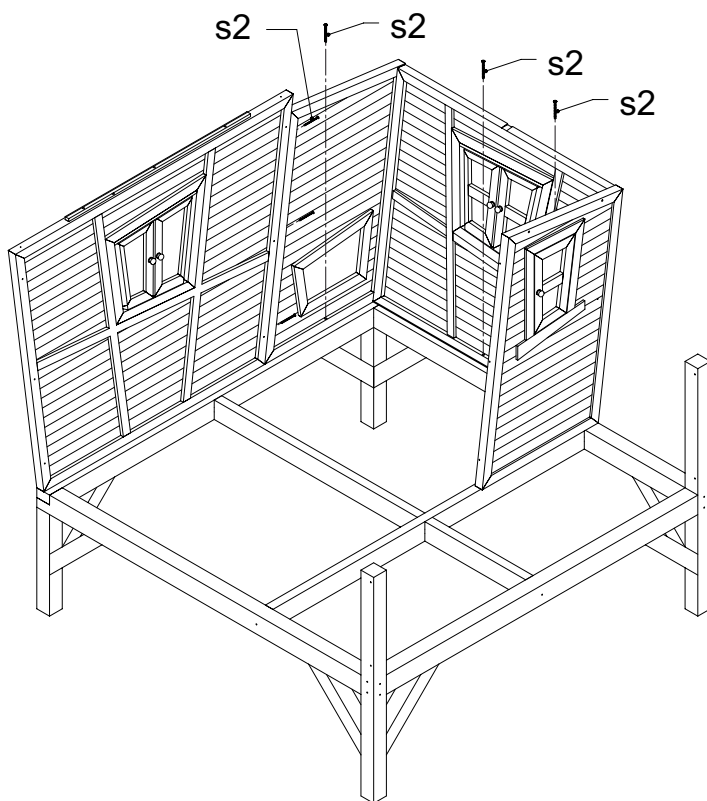


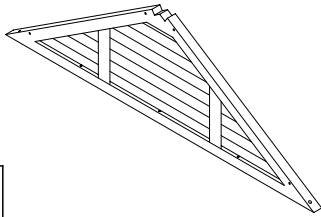


s2

9x

A030.118.00

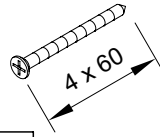




8

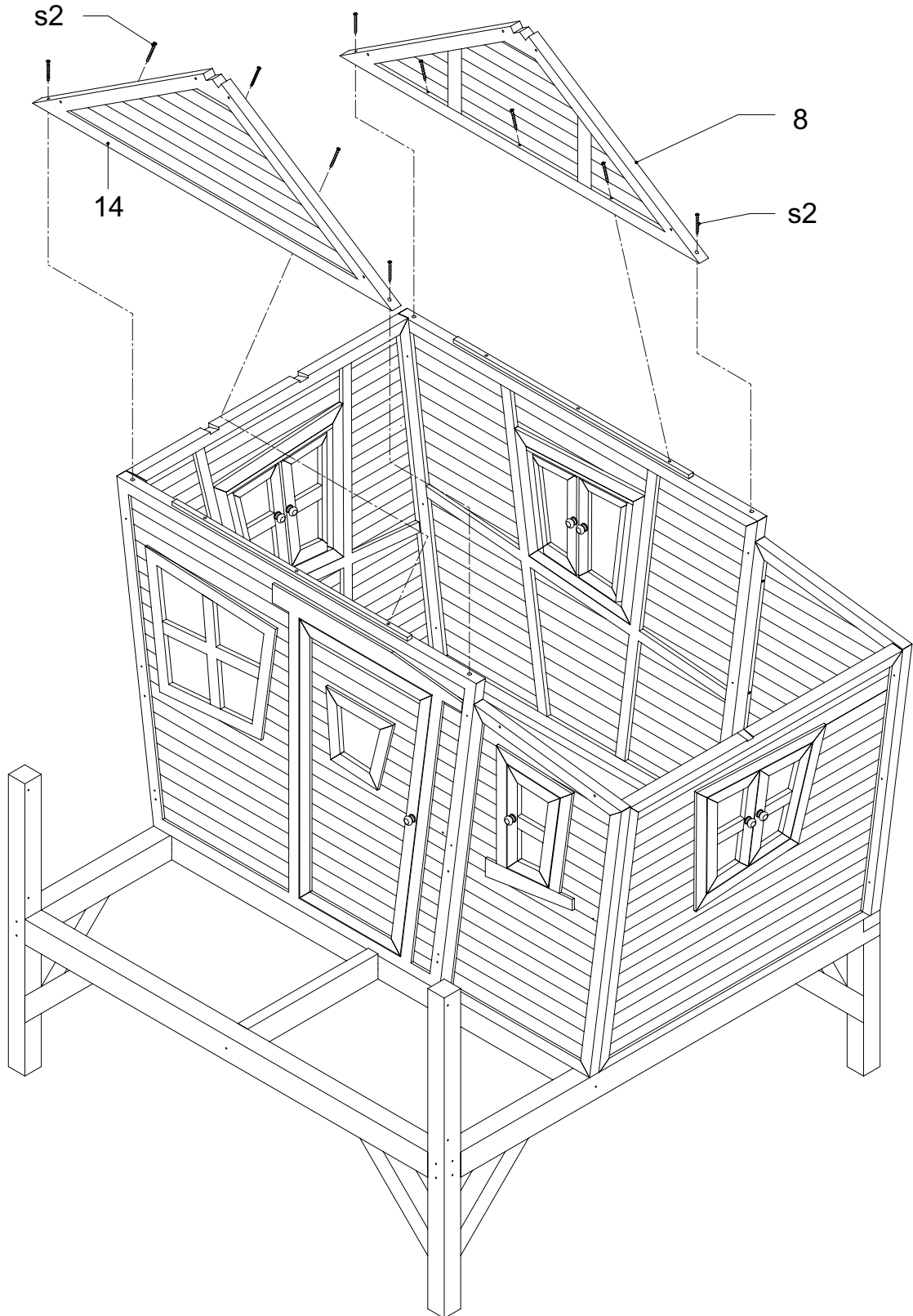
2x

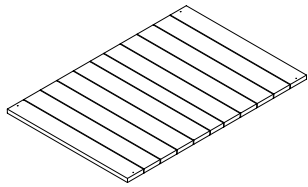
s2



10x

A030.111.00



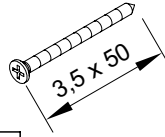


10

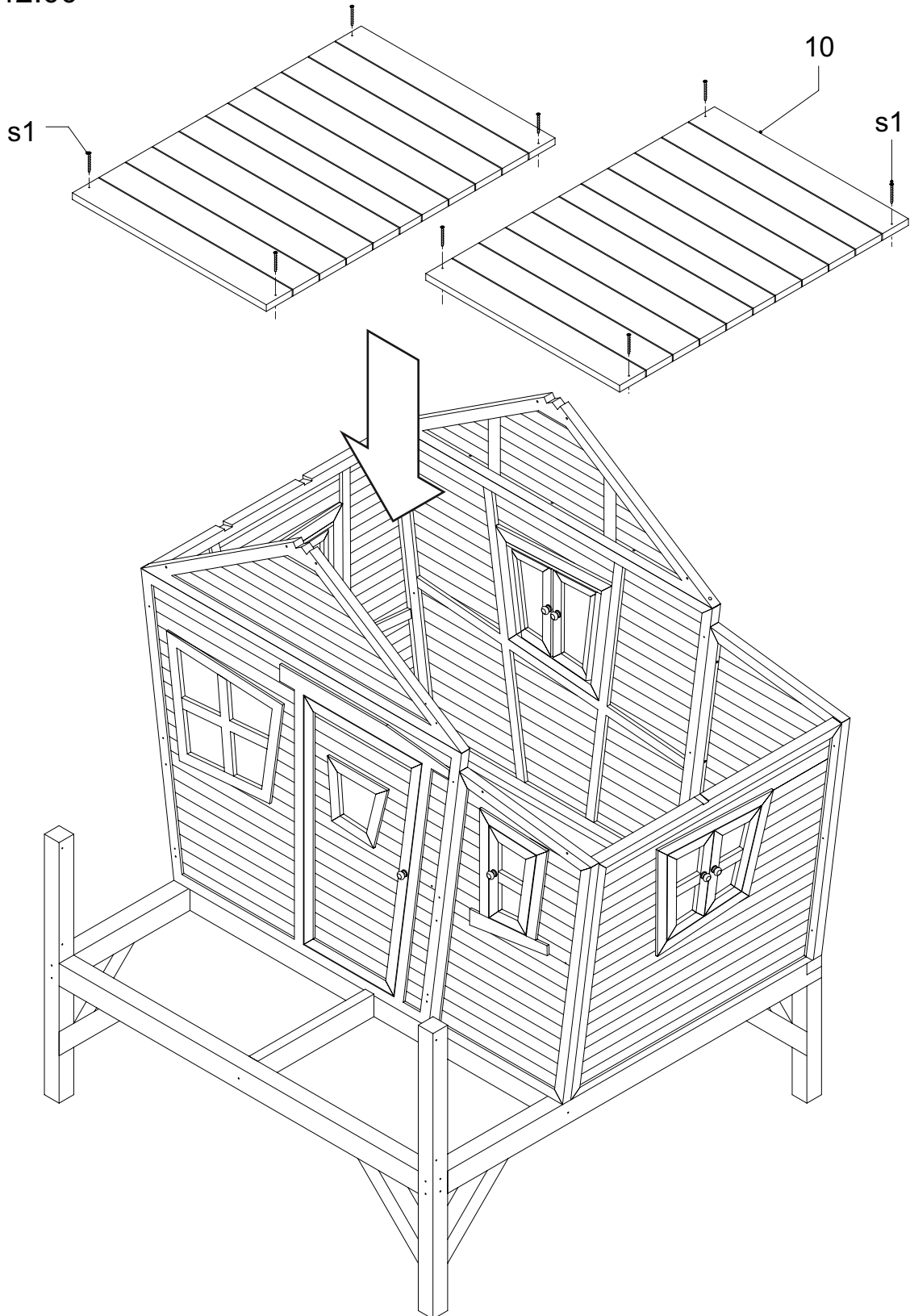
2x

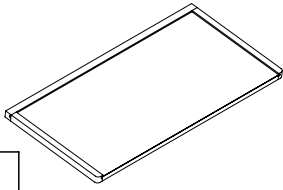
S1

8x

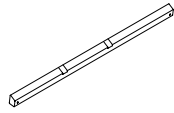


A030.142.00

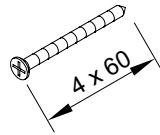




11



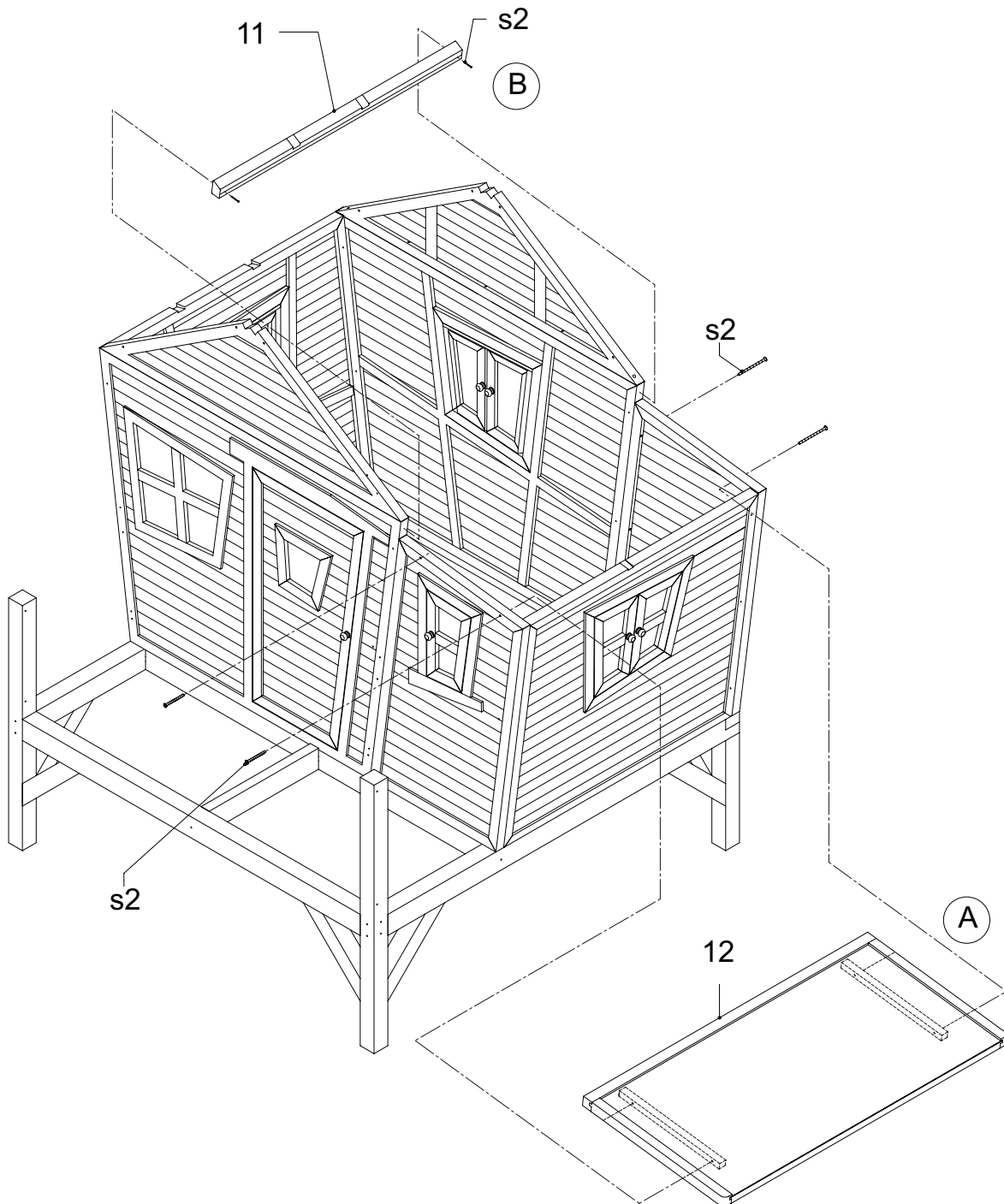
12



s2

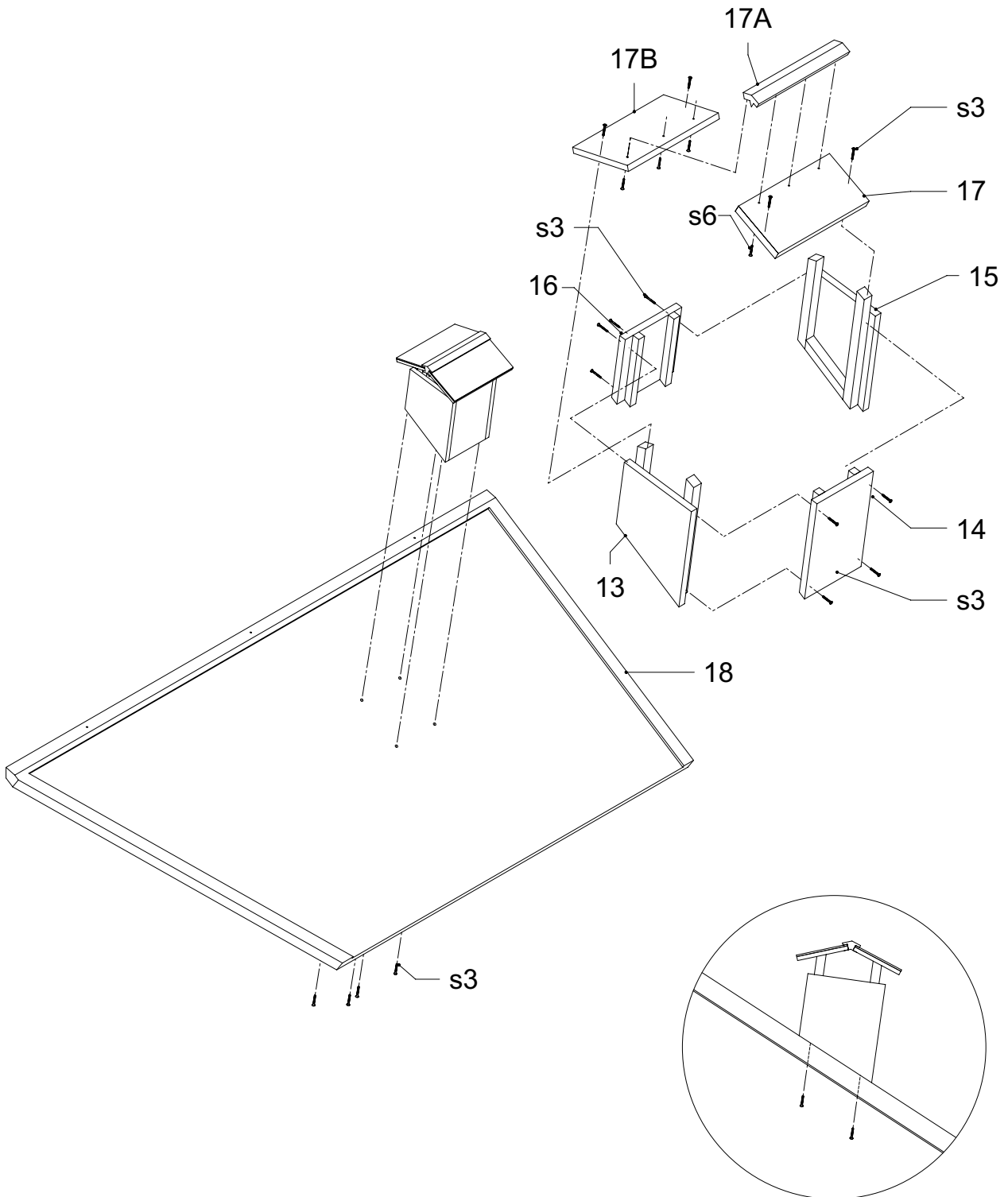
6x

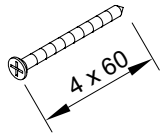
A030.118.00



13	14	15	16	17	17A	17B	18	s3 16x	s6 6x

A030.113.00

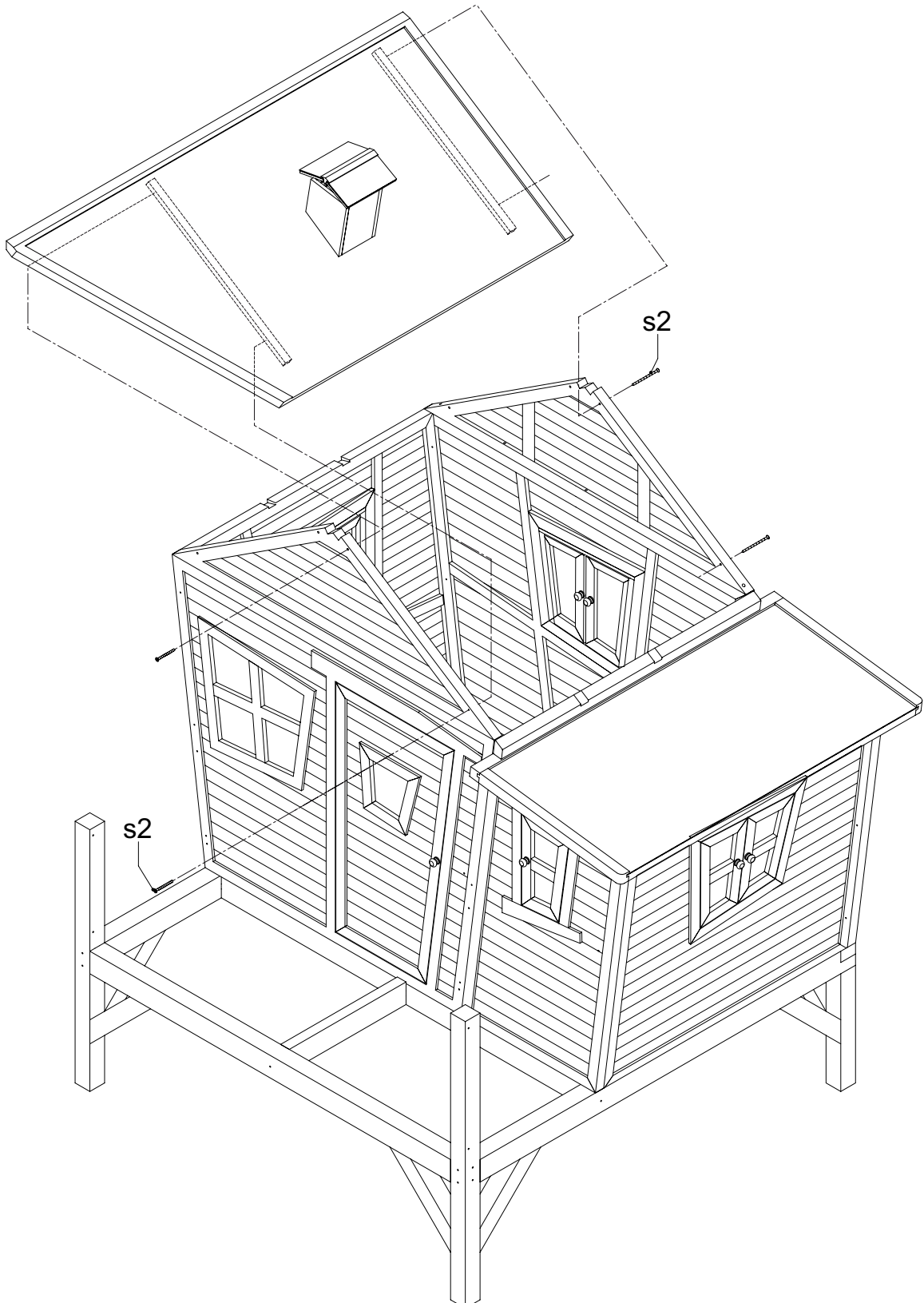


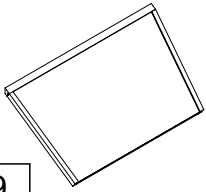


s2

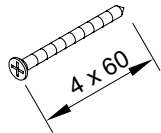
4x

A030.113.00





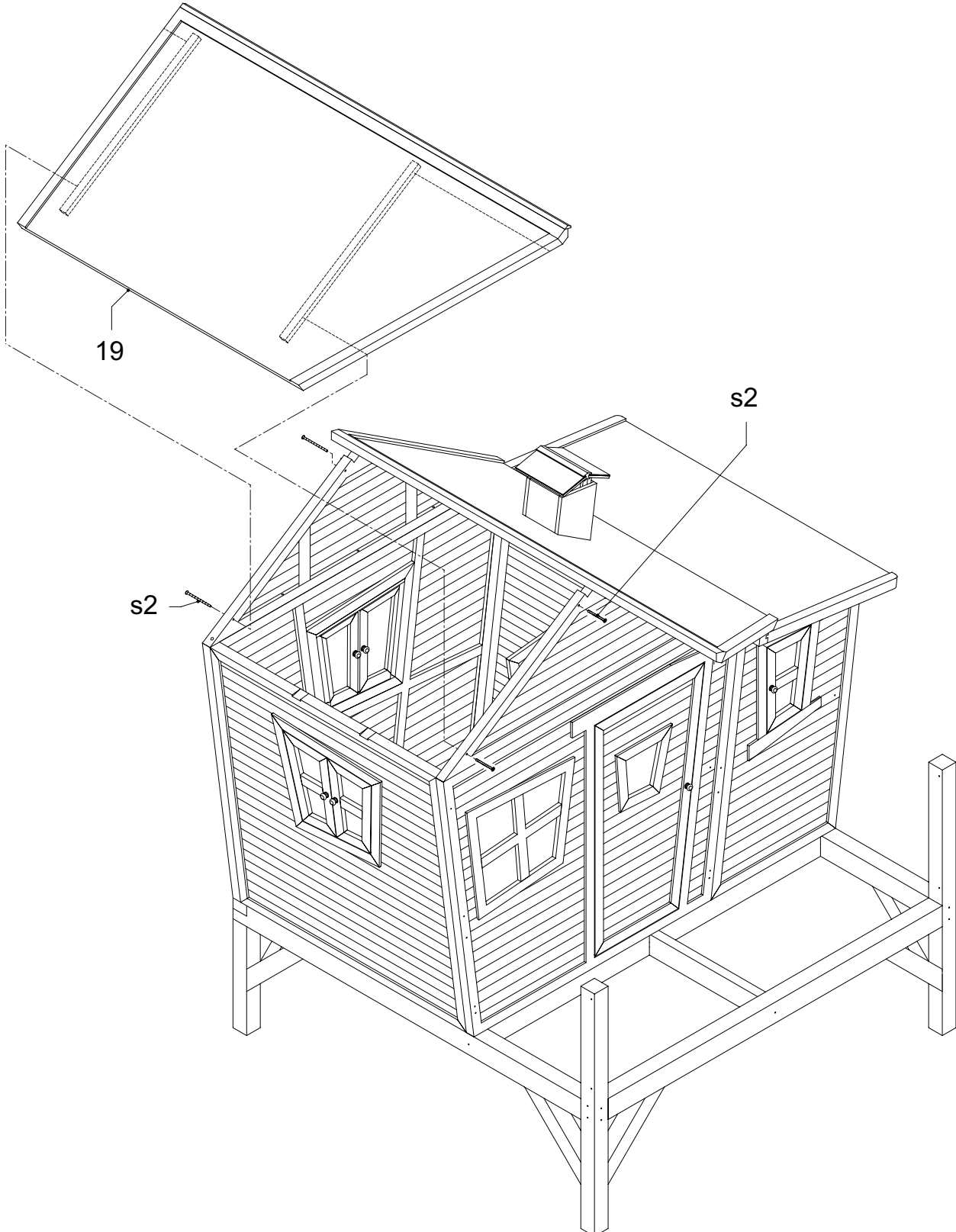
19



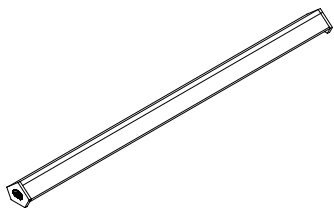
s2

4x

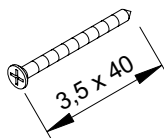
A030.113.00



20

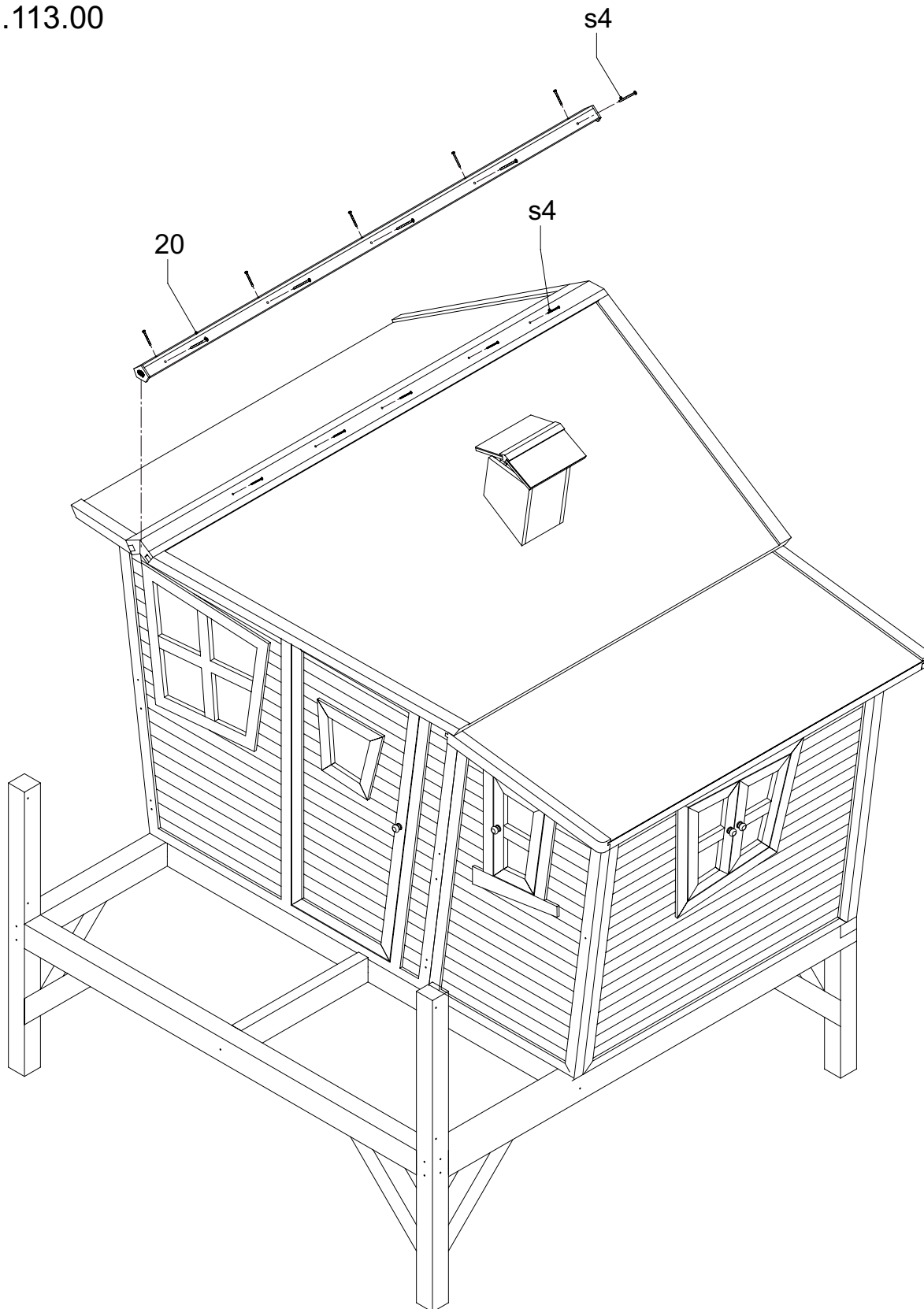


s4



15x

A030.113.00

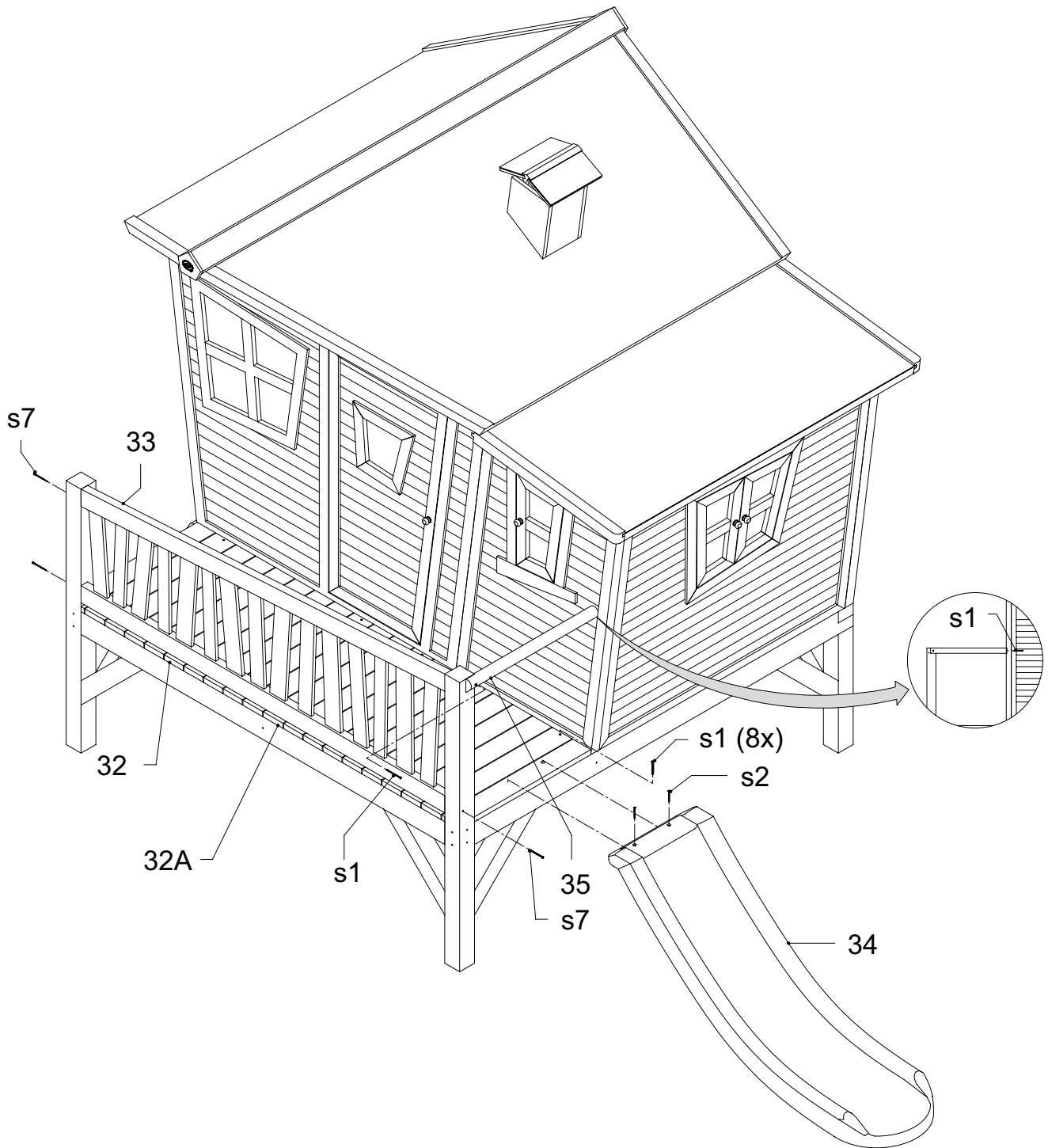




Emma

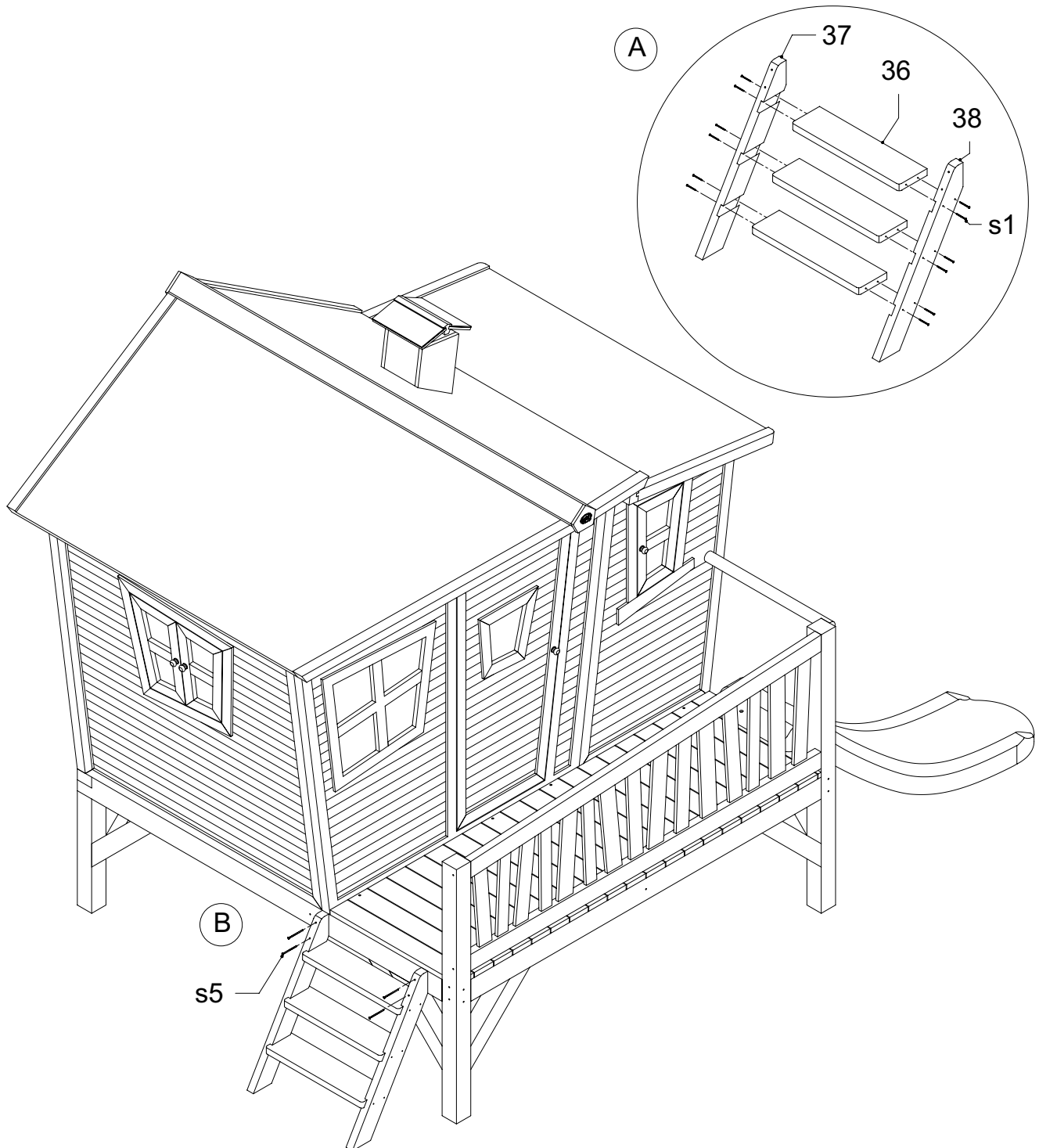
32							
32A		33	34	35	s1 16x	s2 2x	s7 4x

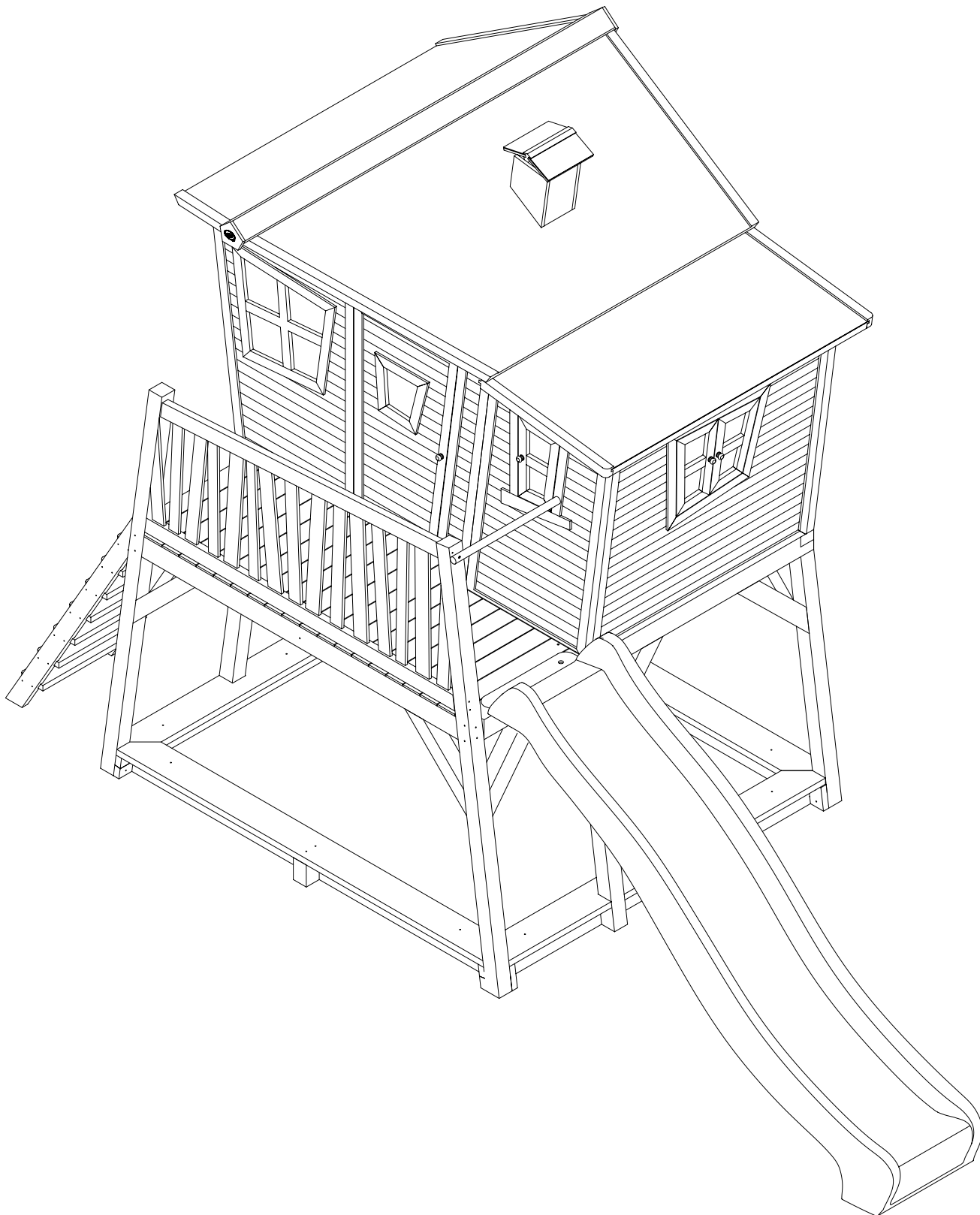
A030.031.00 + A030.121.00 + A030.122.00



36	3x	37	38	s1	12x	s5	4x

A030.122.00

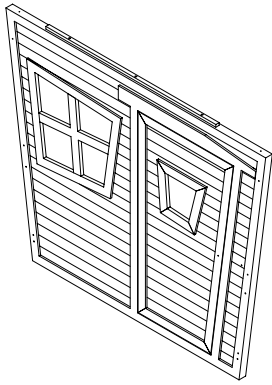




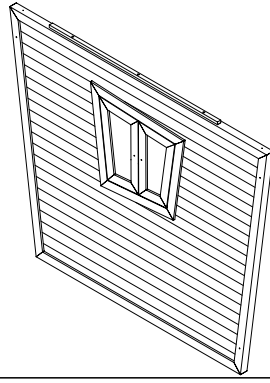


Max

A030.111.00



1

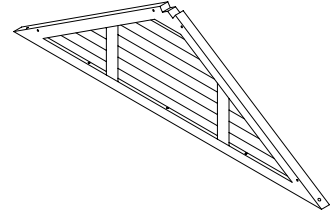


3



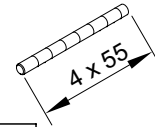
4

14x



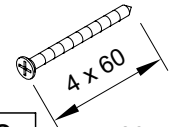
8

2x



t1

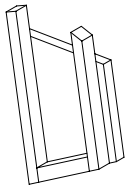
7x



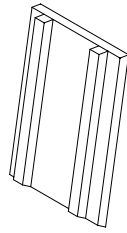
s2

26x

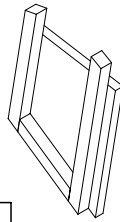
A030.113.00



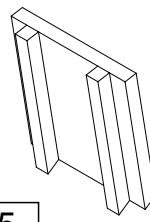
12



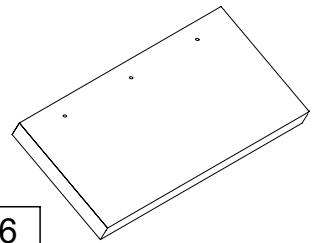
13



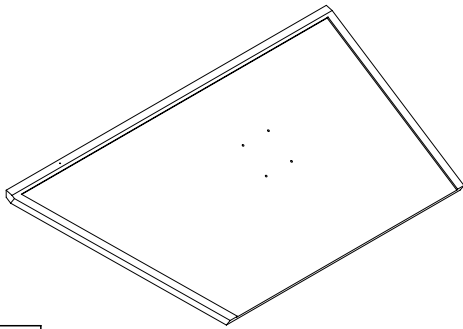
14



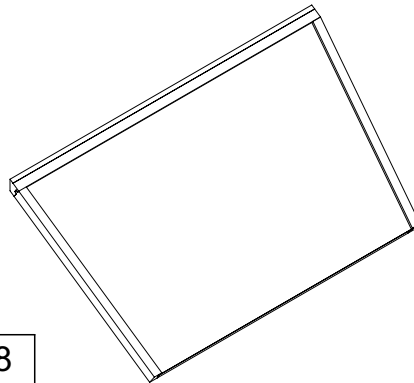
15



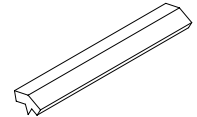
16



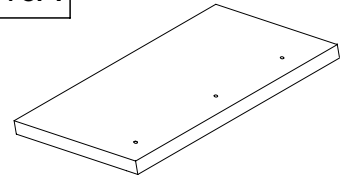
17



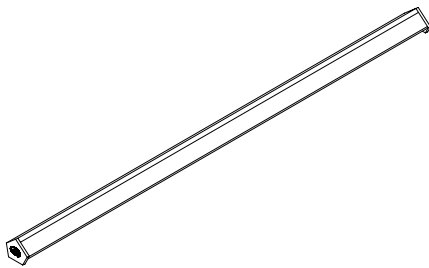
18



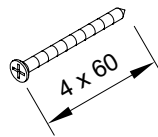
16A



16B

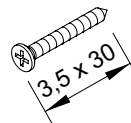


19



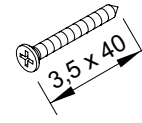
s2

8x



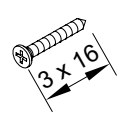
s3

16x



s4

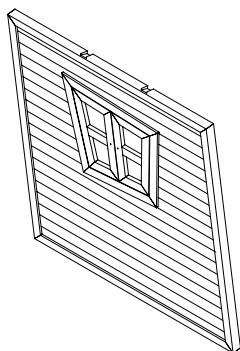
15x



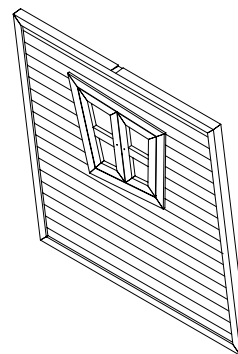
s6

6x

A030.117.00



2

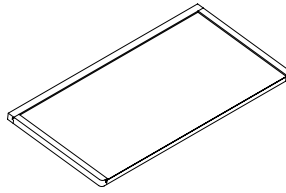
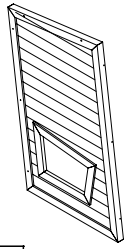
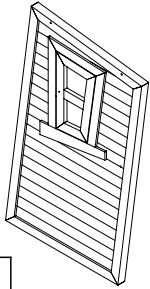


6



Max

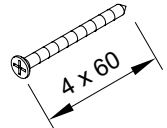
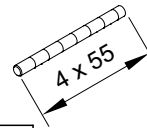
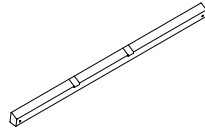
A030.118.00



4

2x

10



5

7

11

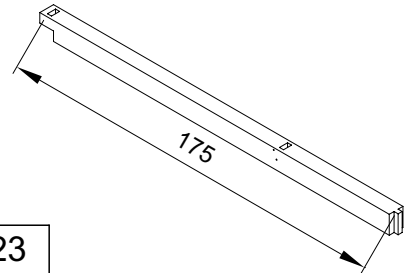
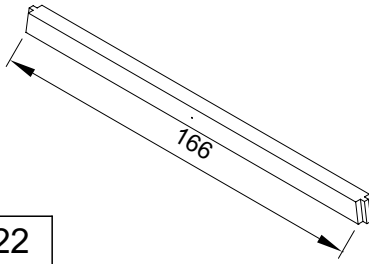
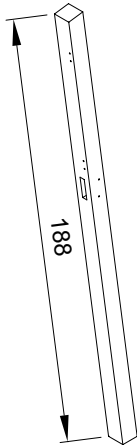
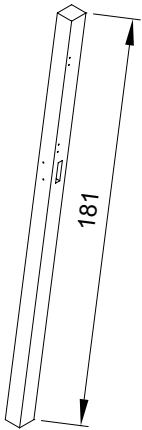
t1

1x

s2

14x

A030.155.00



22

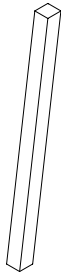
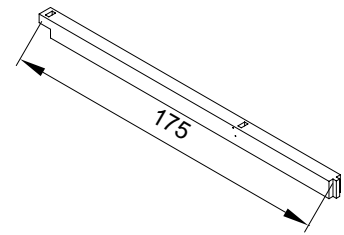
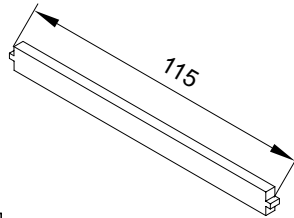
23

20

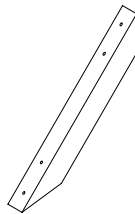
21

27

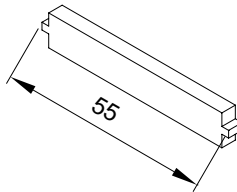
28



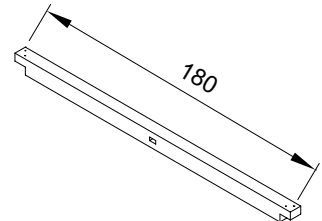
4x



2x



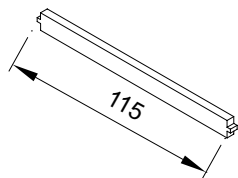
26



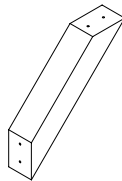
29

24

25

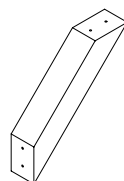


30



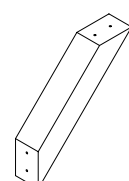
31A

4x



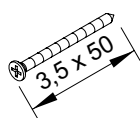
31B

3x



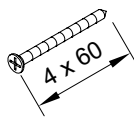
31C

3x



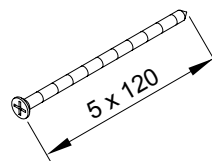
s1

34x



s2

24x



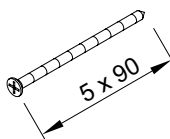
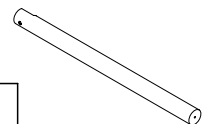
s7

2x

42

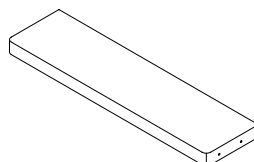
3x

41



s5

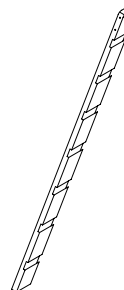
48x



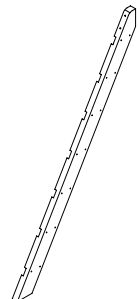
43

7x

44



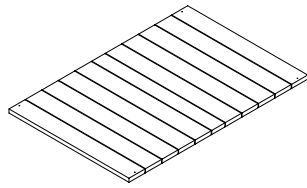
45





Max

A030.142.00

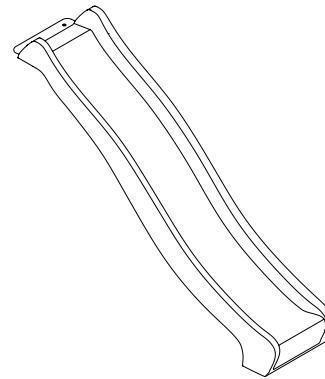


9

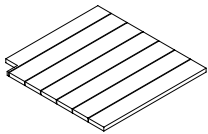
2x

40

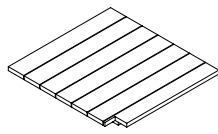
A030.033.00



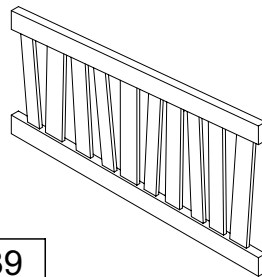
A030.157.00



38

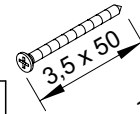


38A



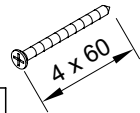
39

s1

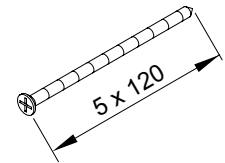


18x

s2



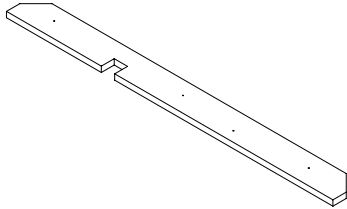
2x



s7

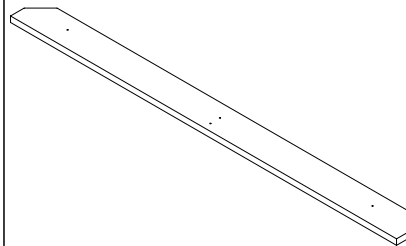
4x

A030.159.00



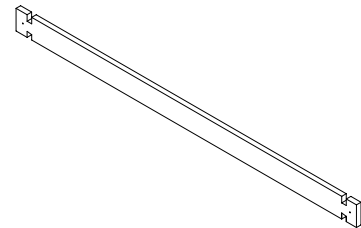
32

2x



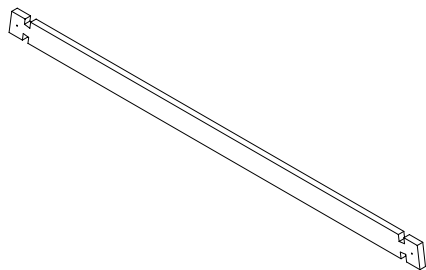
33

2x



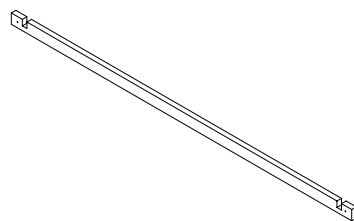
34

2x



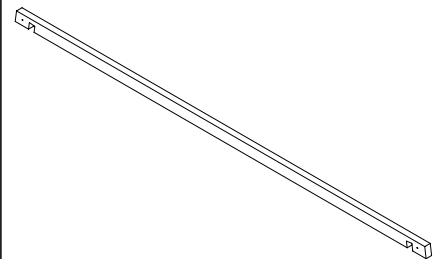
34A

2x



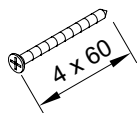
35

2x



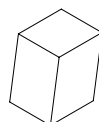
35A

2x



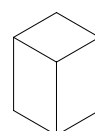
s2

44x



36

2x



37

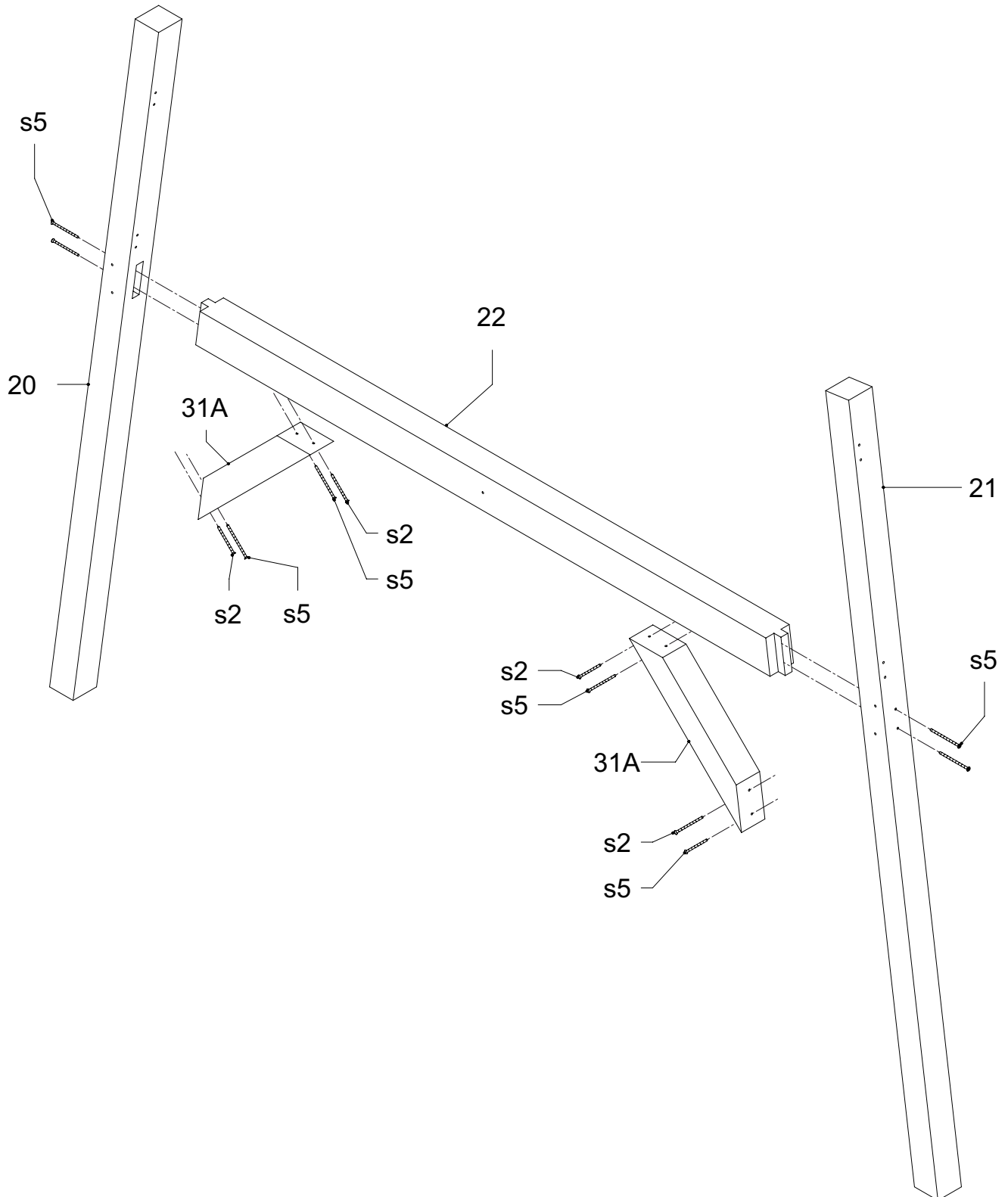
2x



Max

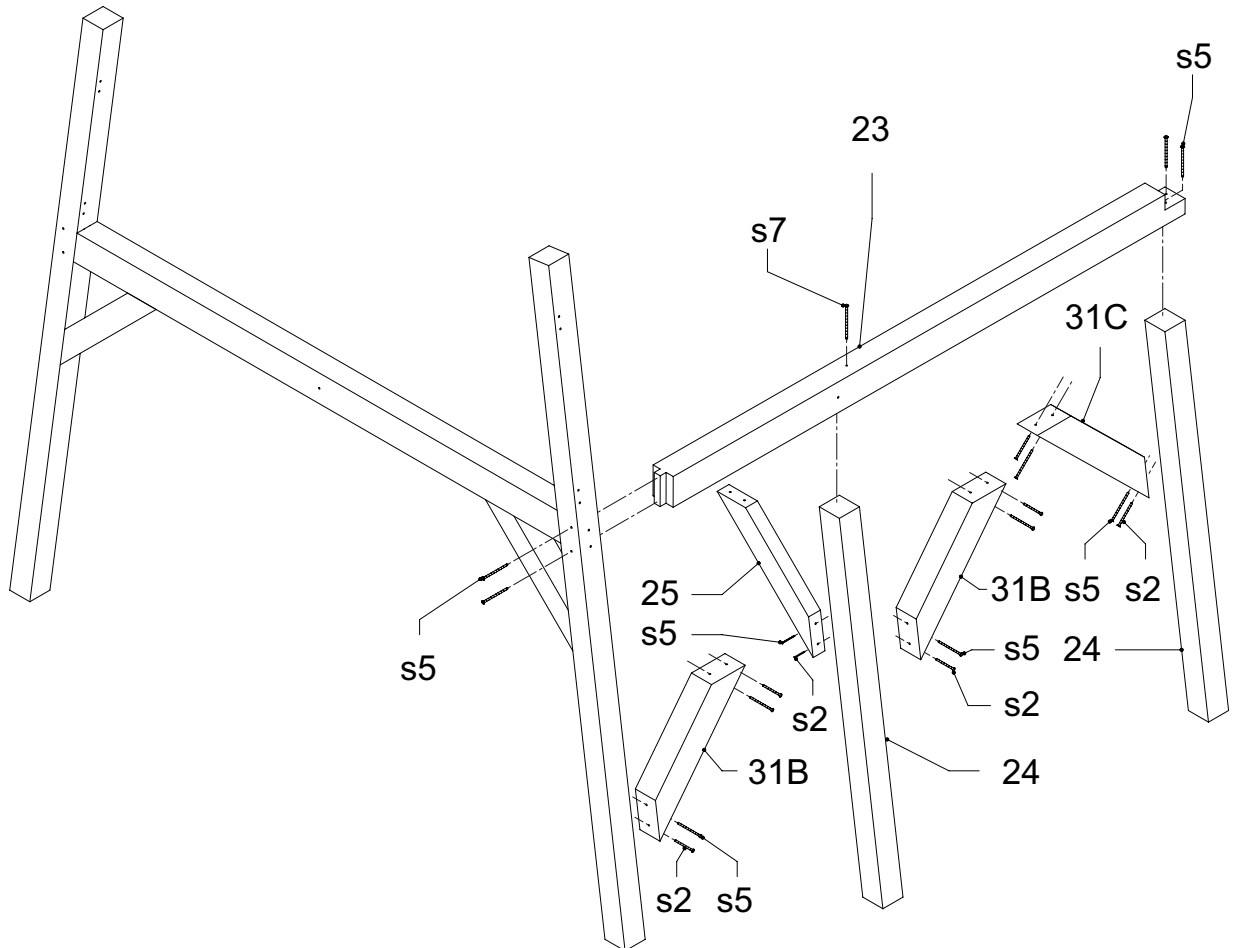
20	21	22	31A	2x s5	8x s2

A030.155.00



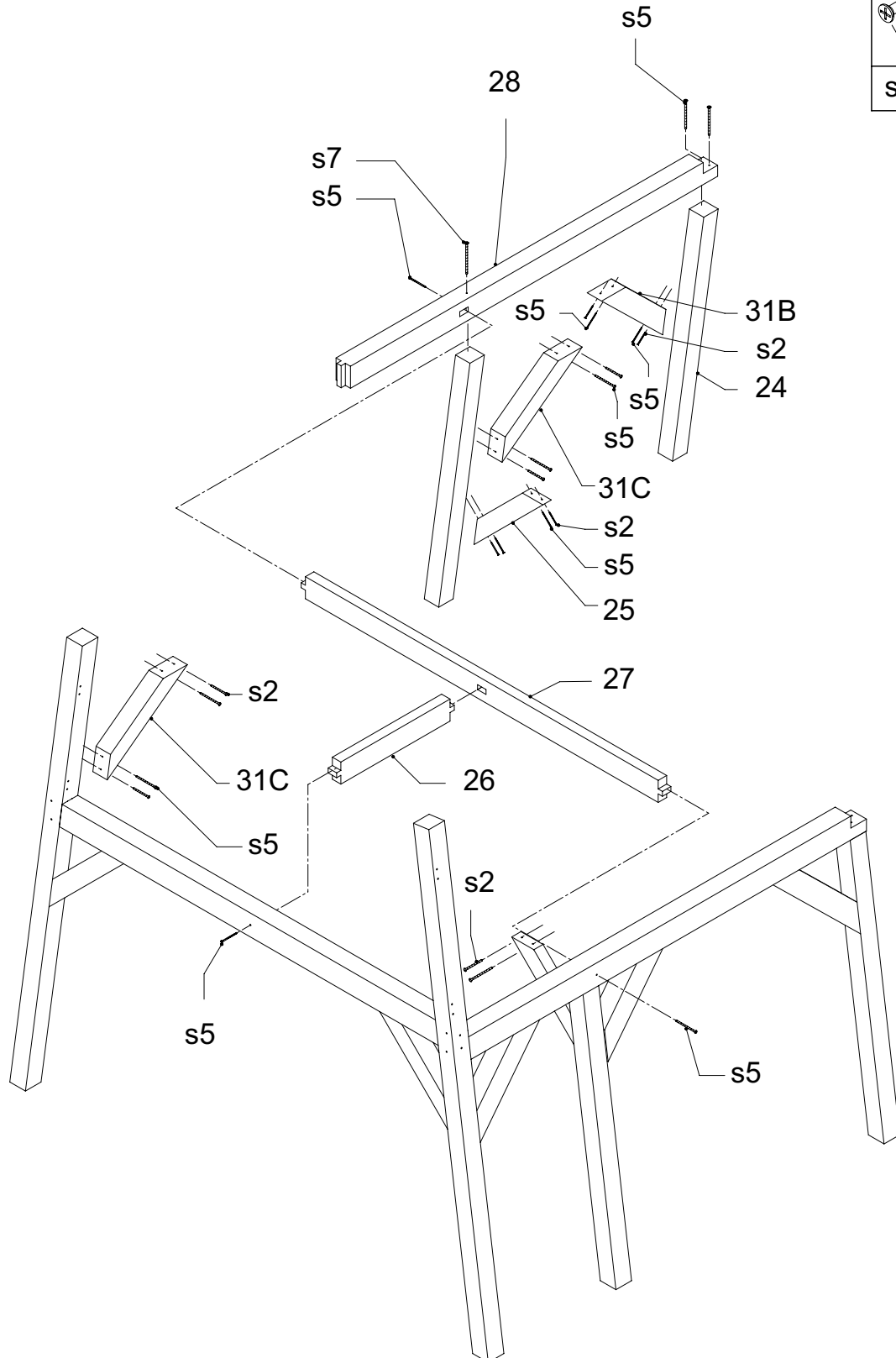
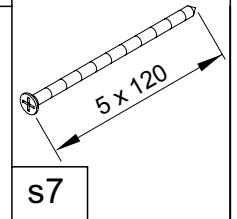
23	24 2x	25	31B 2x	31C 2x	s5 12x	s2 7x	s7

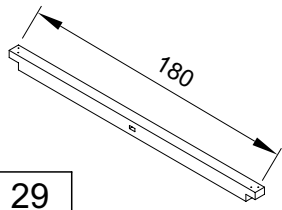
A030.155.00



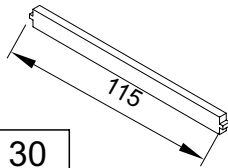
26	27	28	24 2x	25 2x	31B	31C 2x	s5 15x	s2 9x

A030.155.00

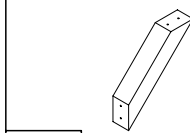




29

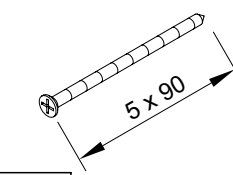


30



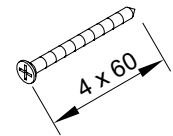
31A

2x



s5

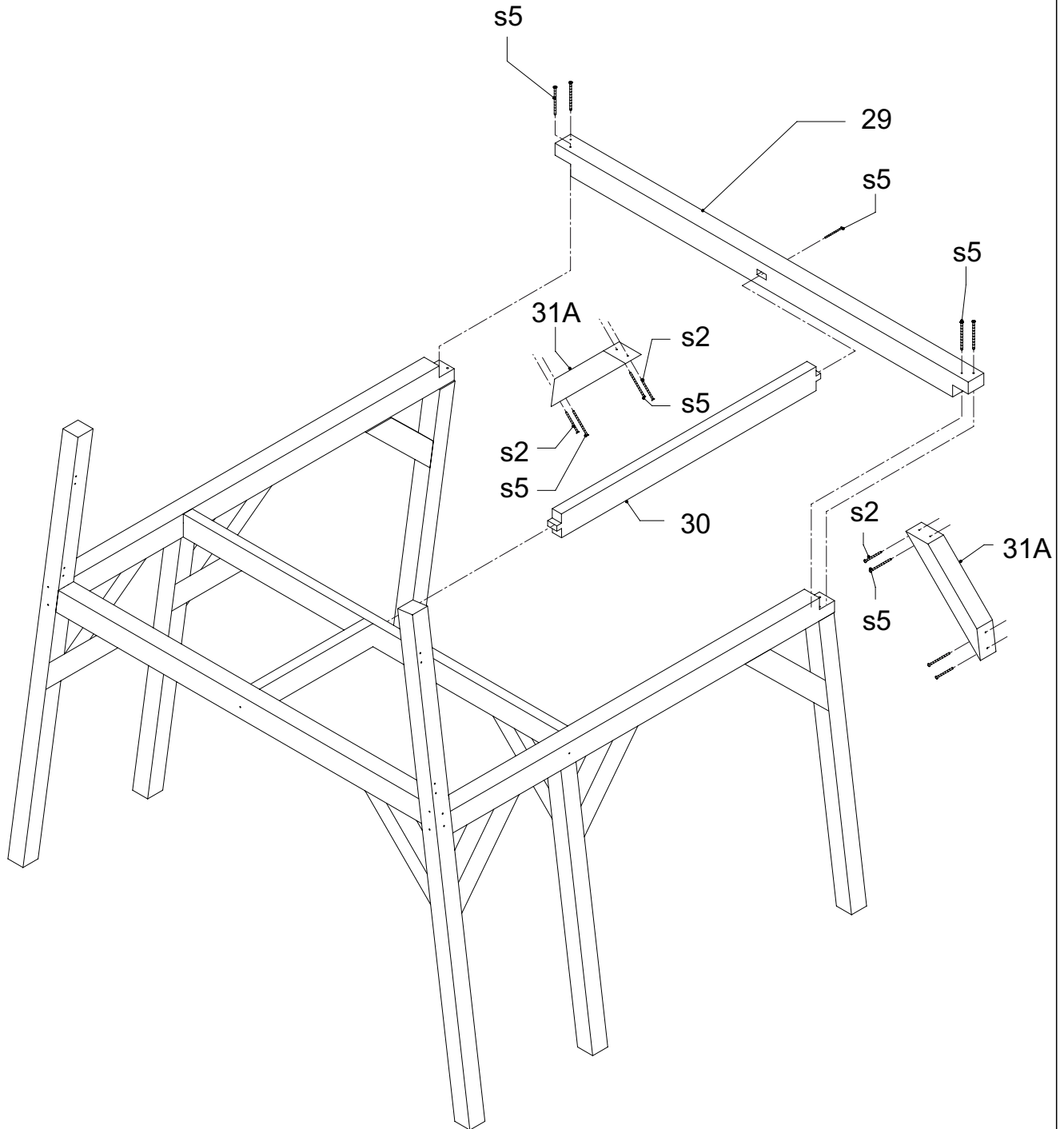
9x



s2

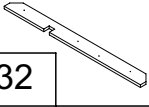
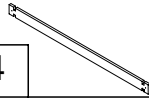
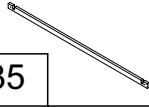
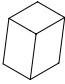
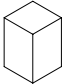
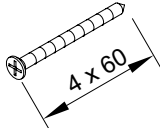
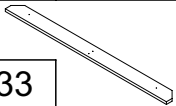
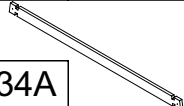
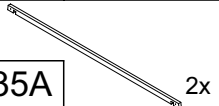


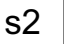
4x

A030.155.00

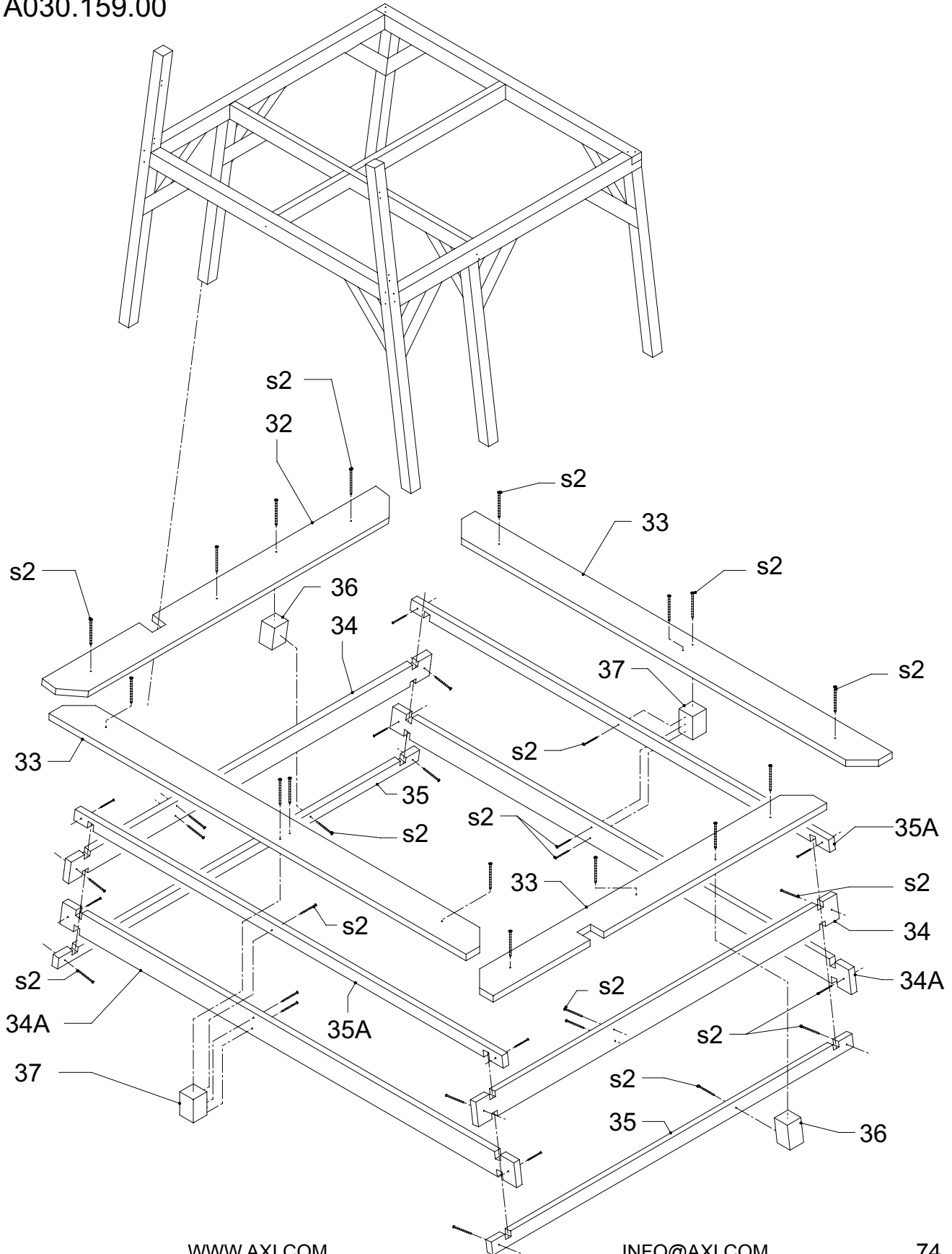




Max

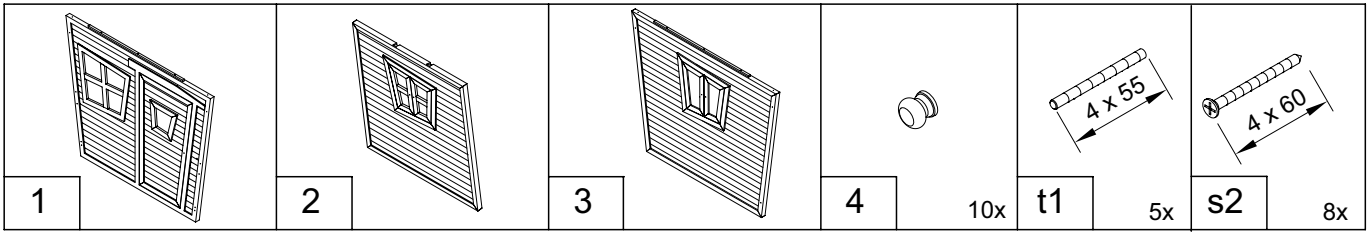
 32	2x	 34	2x	 35	2x		2x		2x	 4 x 60	44x
 33	2x	 34A	2x	 35A	2x		2x		2x		44x

A030.159.00

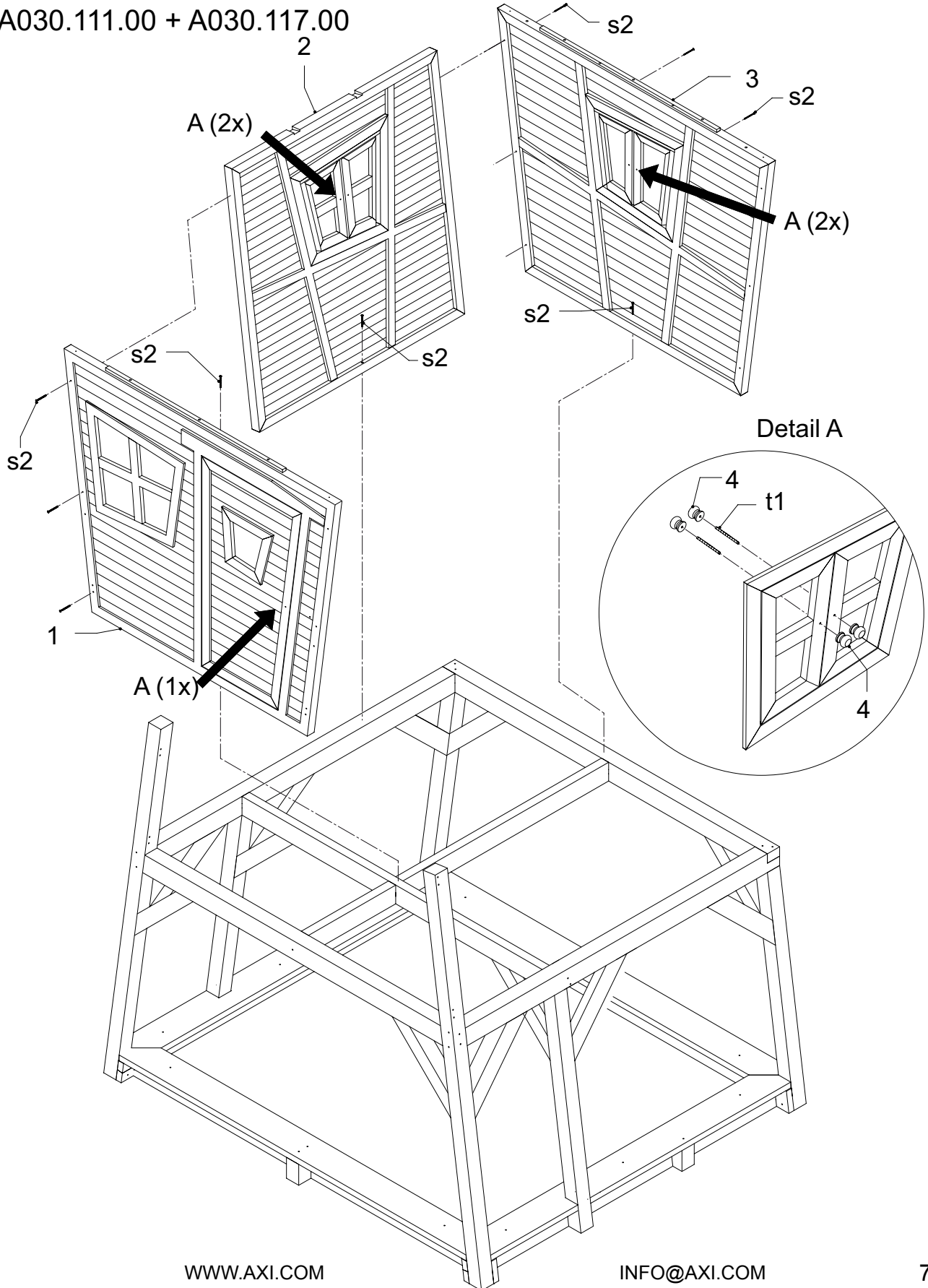




Max



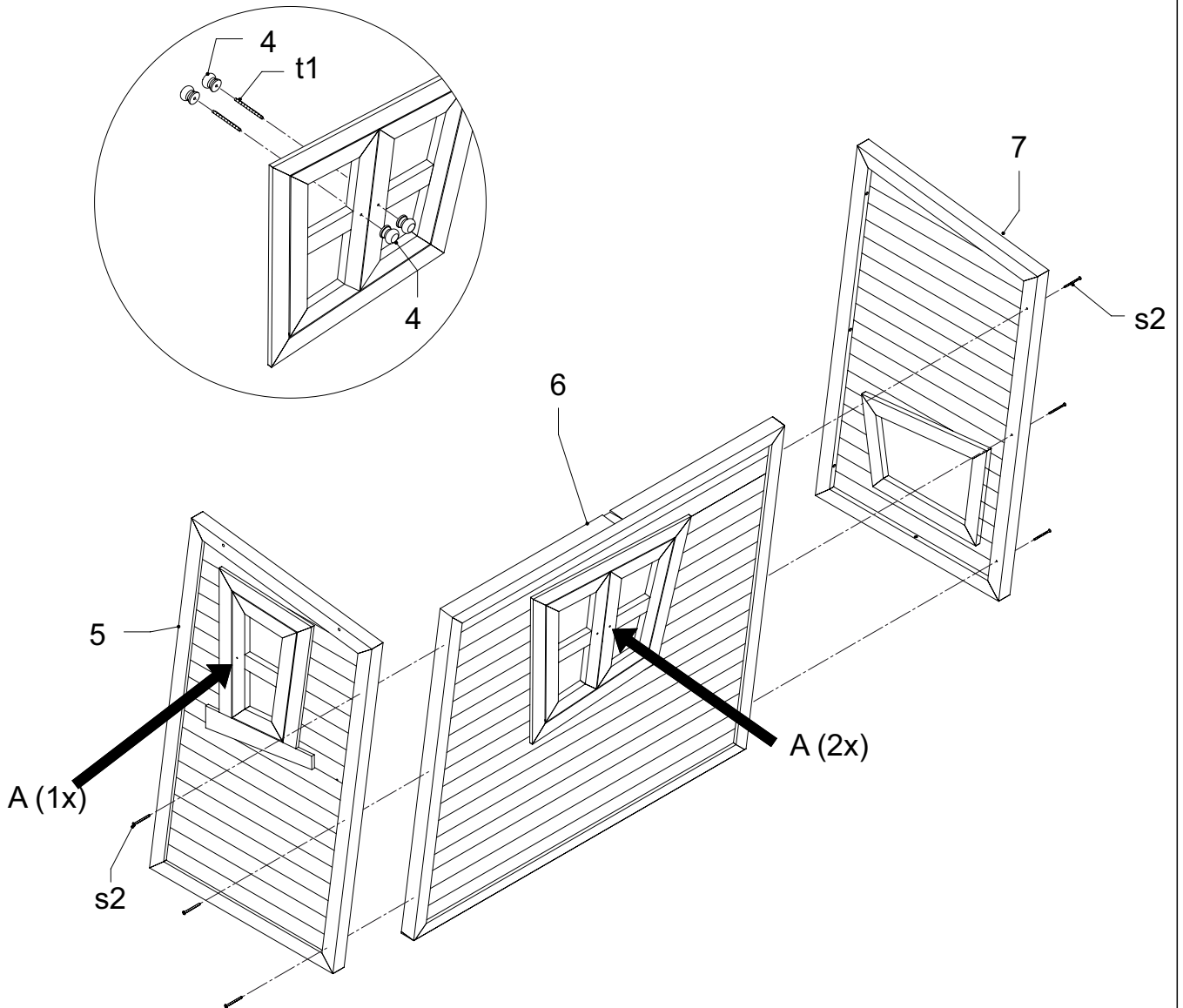
A030.111.00 + A030.117.00

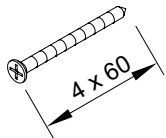


5	6	7	4	6x	t1	3x	s2	6x

A030.117.00 + A030.118.00

Detail A

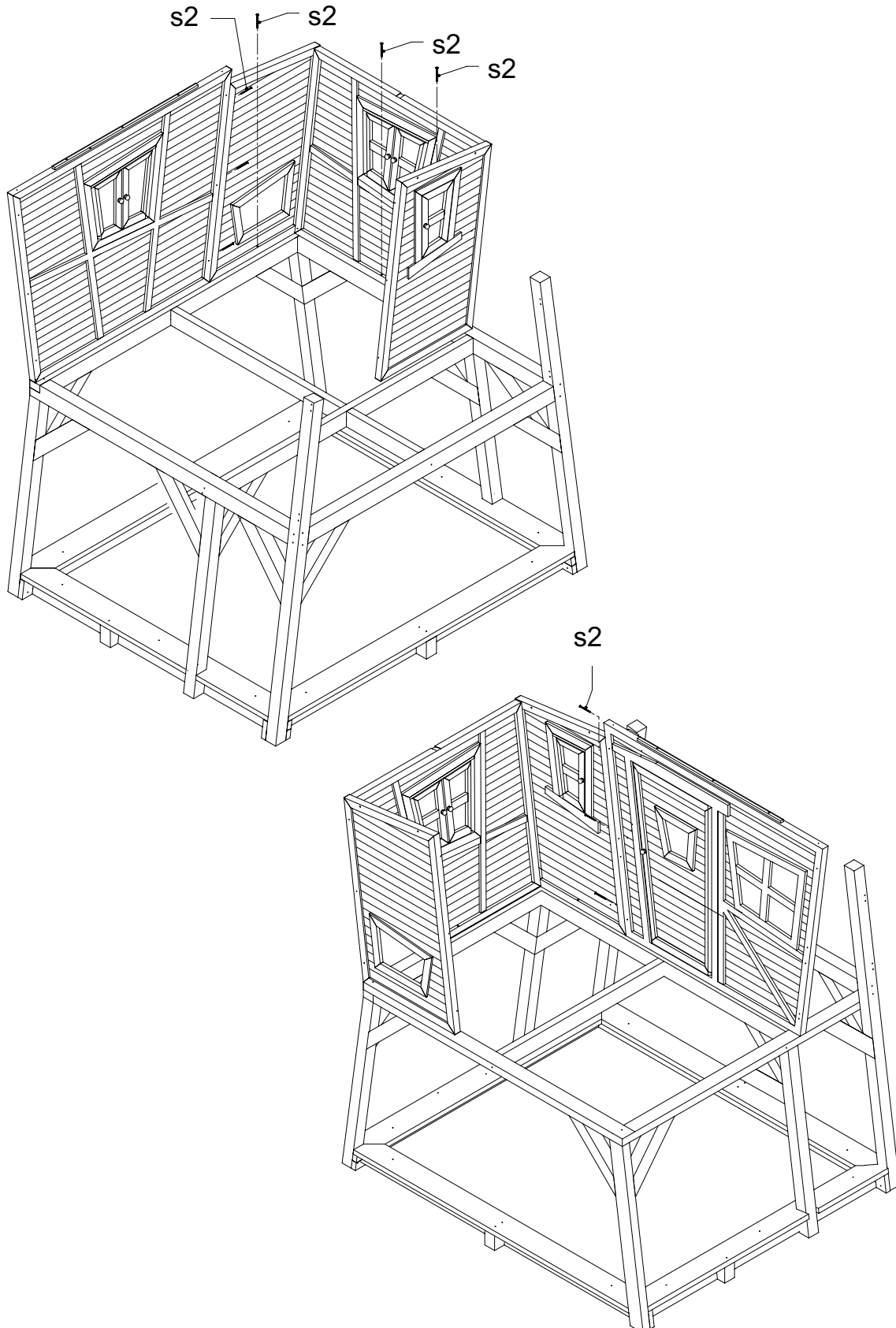


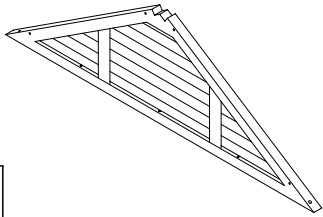


s2

9x

A030.118.00

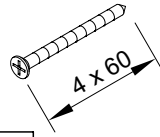




8

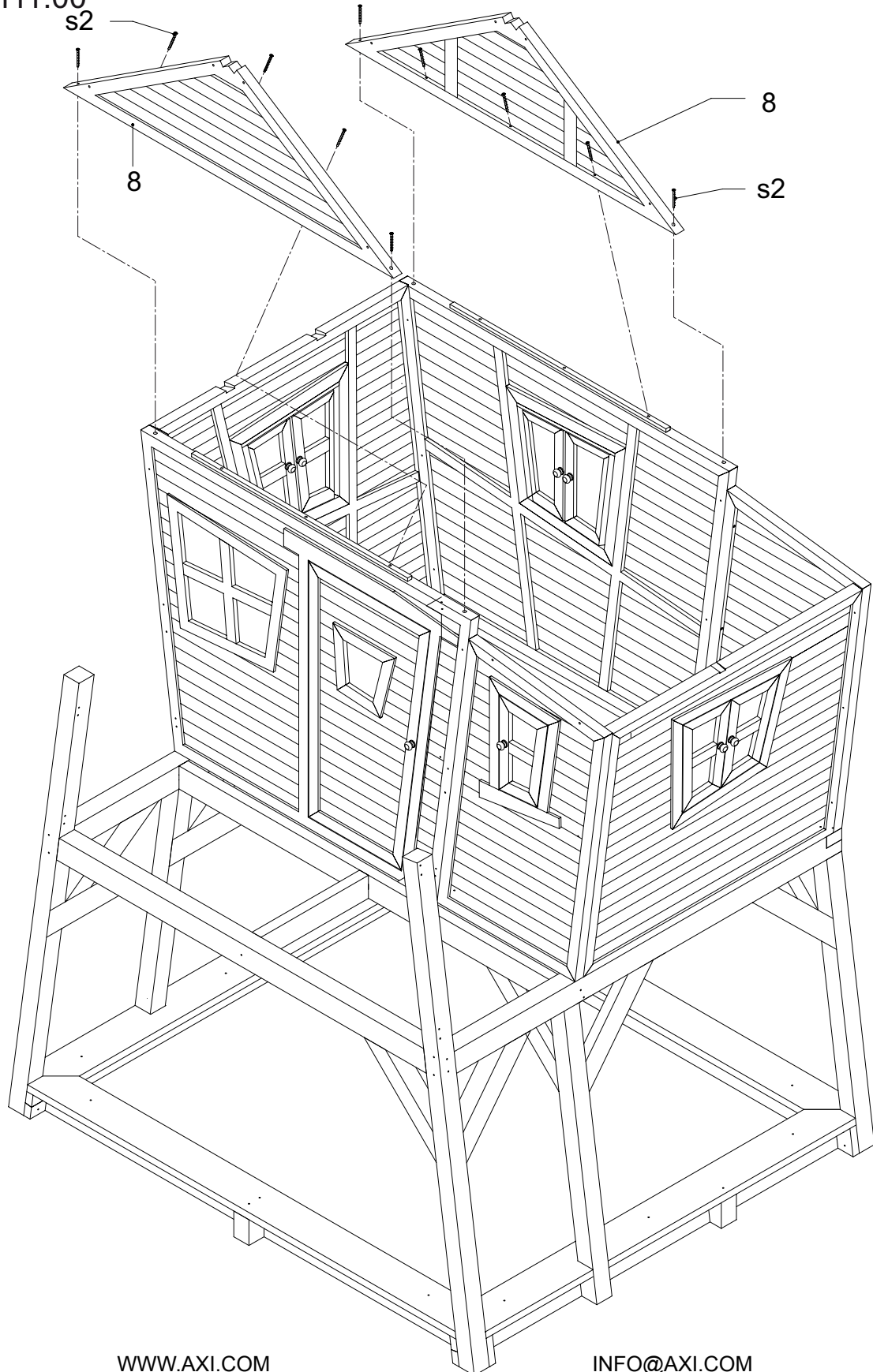
2x

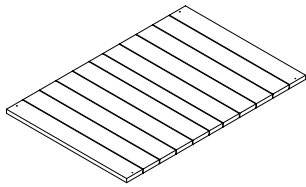
s2



10x

A030.111.00

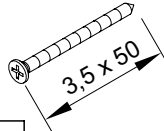




9

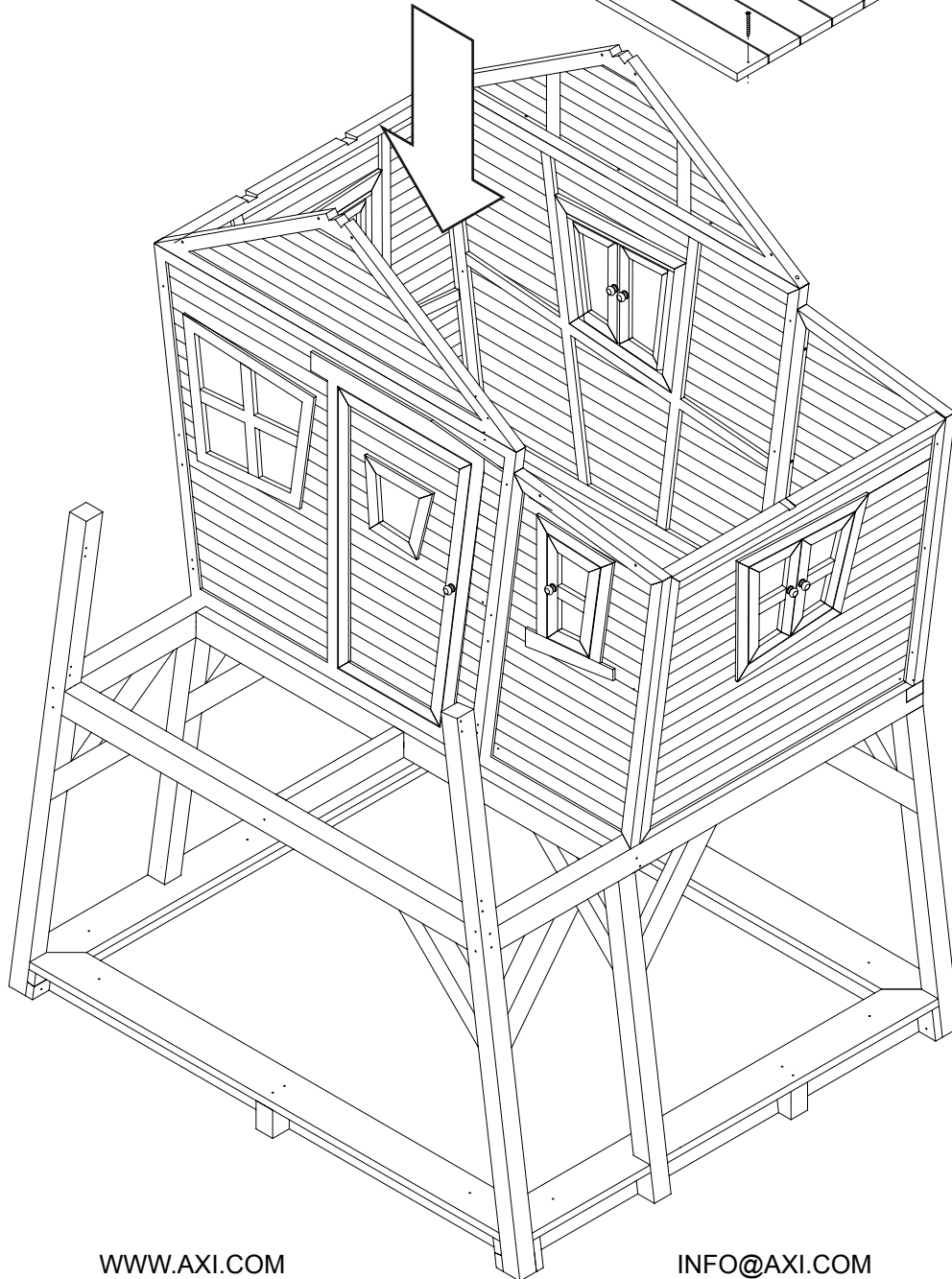
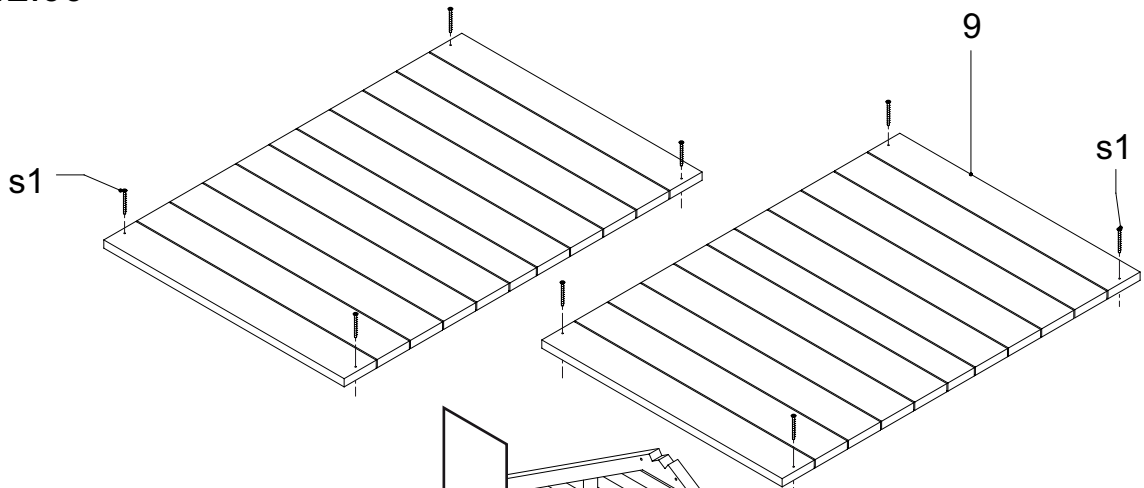
2x

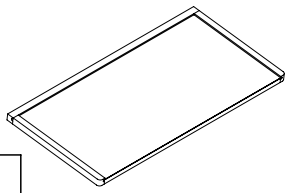
s1



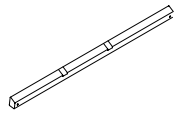
8x

A030.142.00

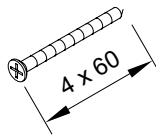




10



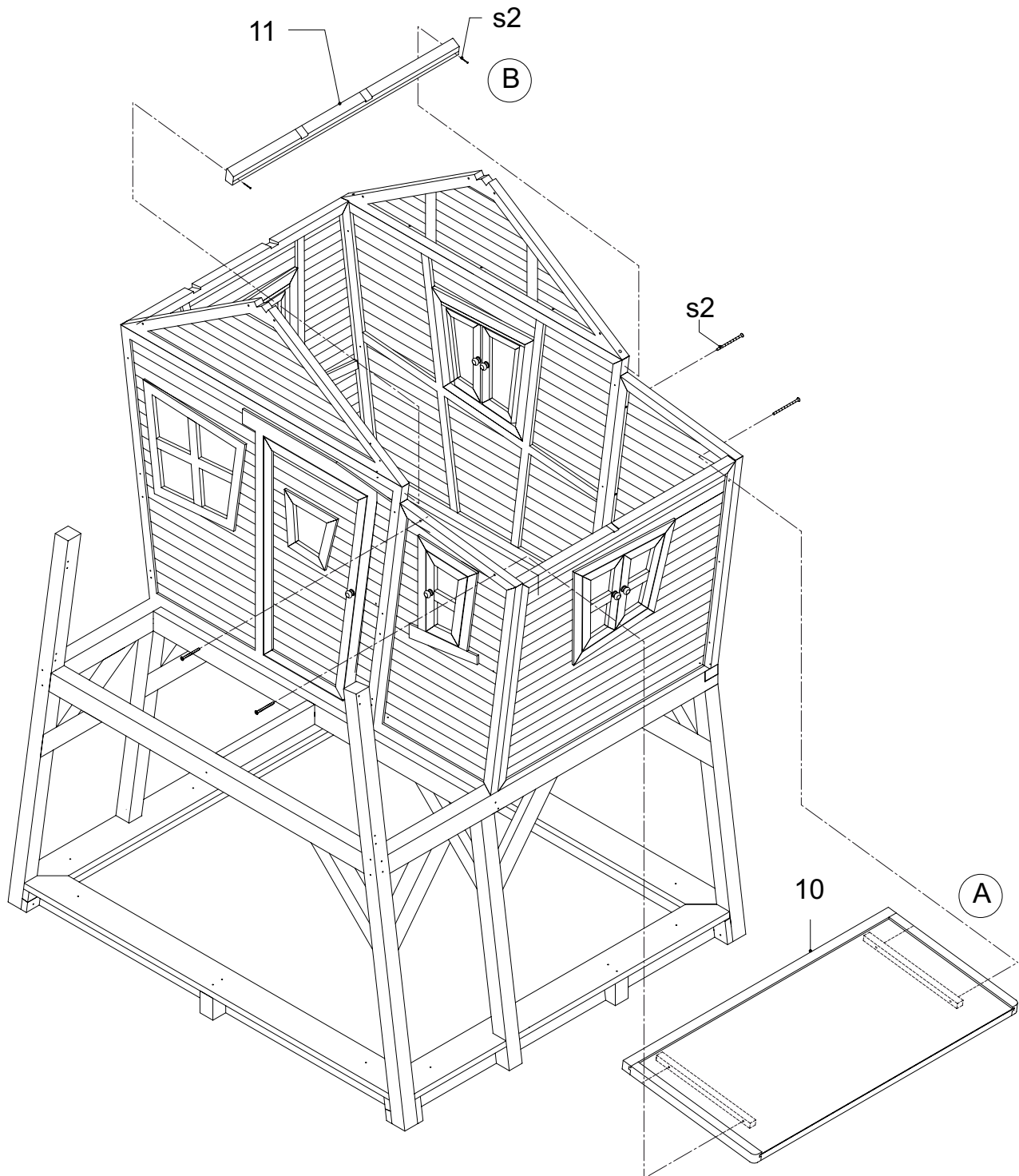
11



s2

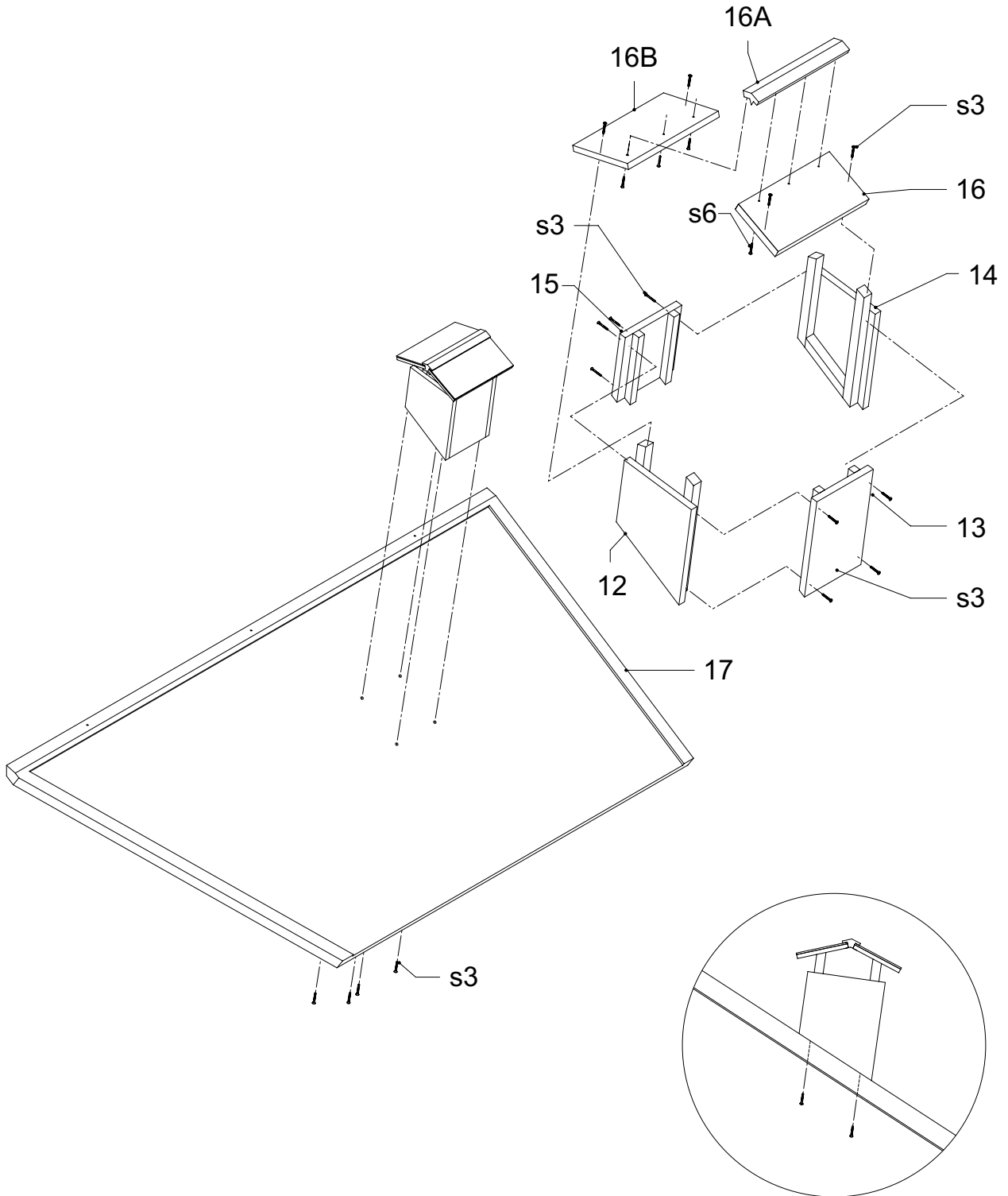
6x

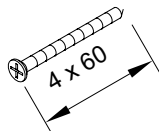
A030.118.00



12	13	14	15	16	16A	16B	17	s3 16x	s6 6x

A030.113.00

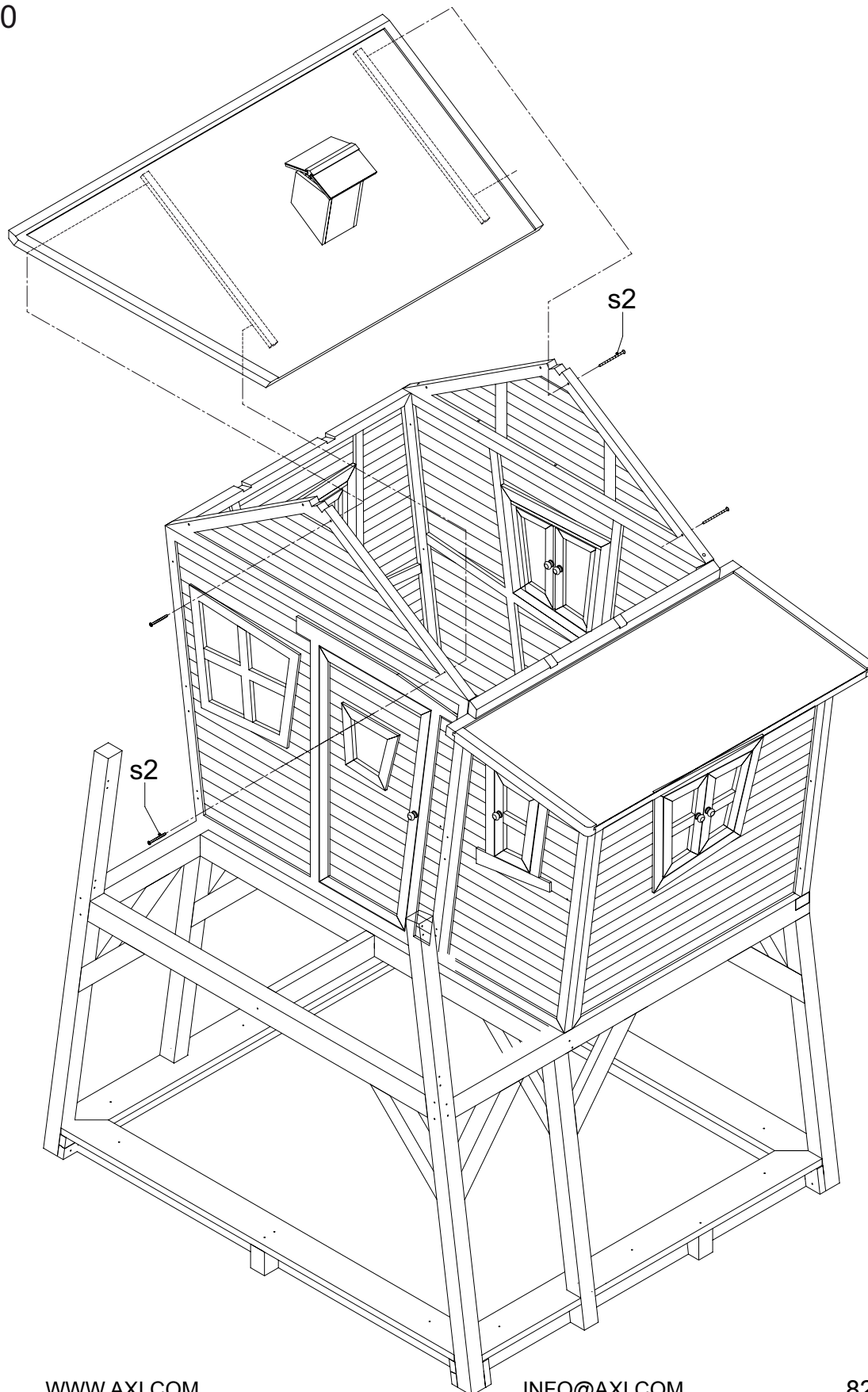


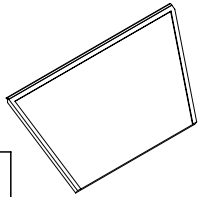


s2

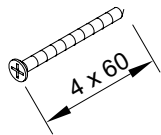
4x

A030.113.00





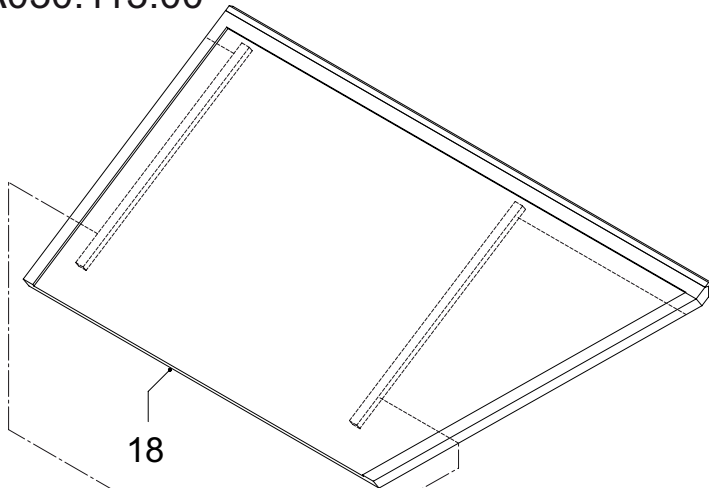
18



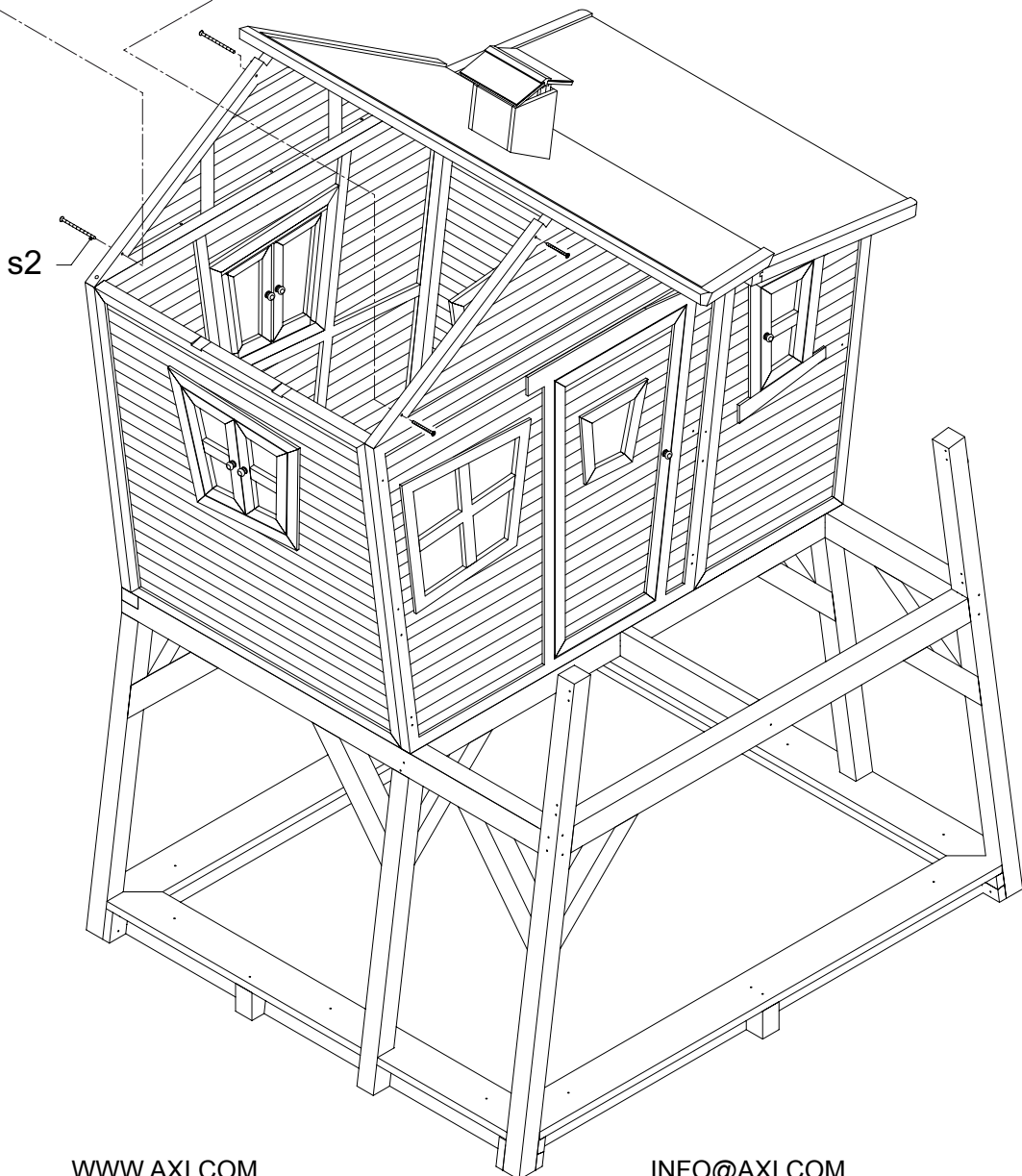
s2

4x

A030.113.00

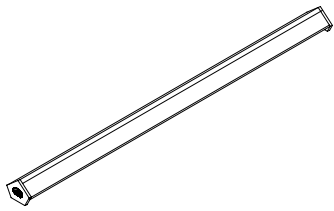


18



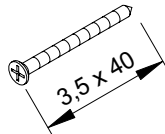
s2

19

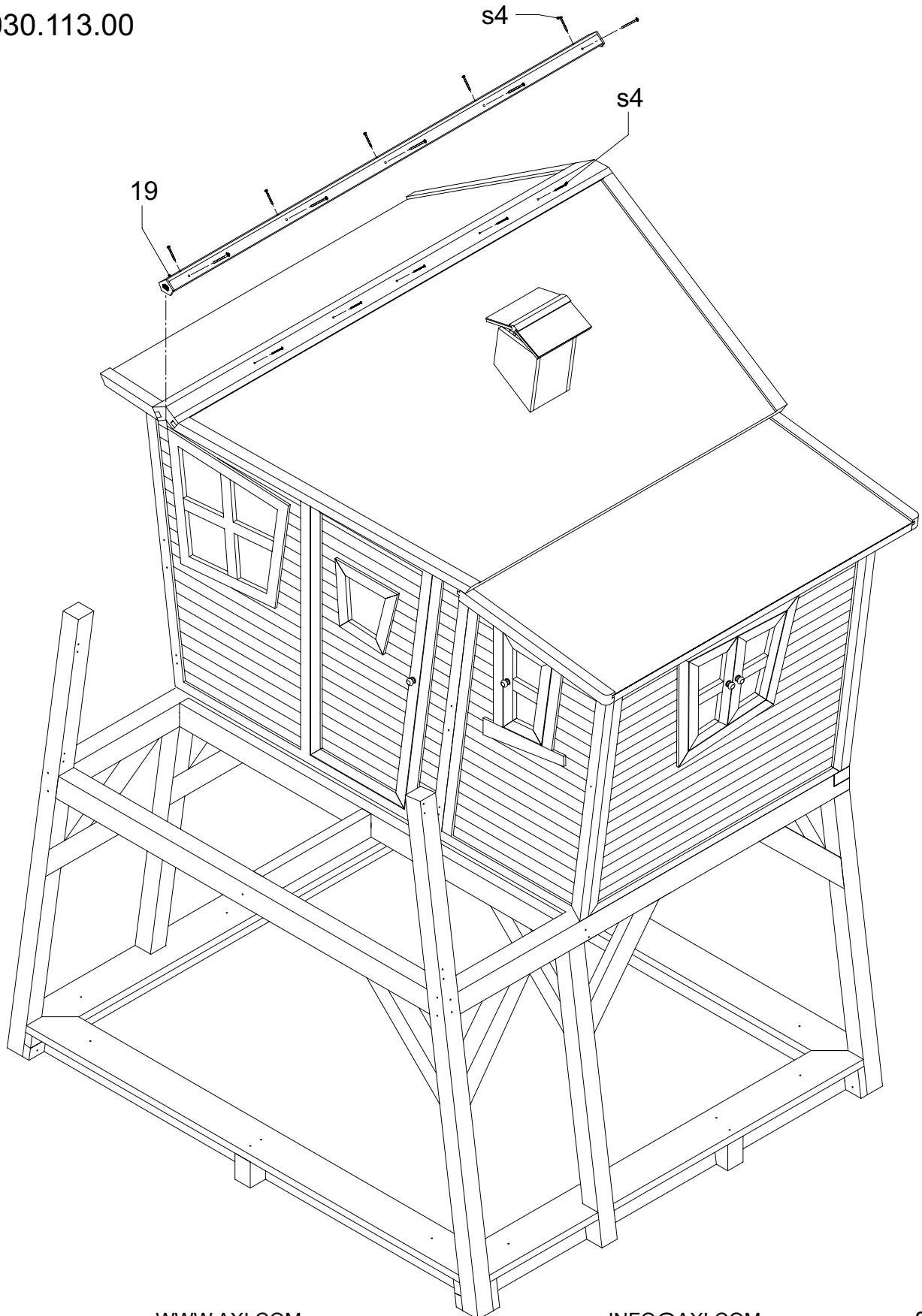


s4

15x



A030.113.00

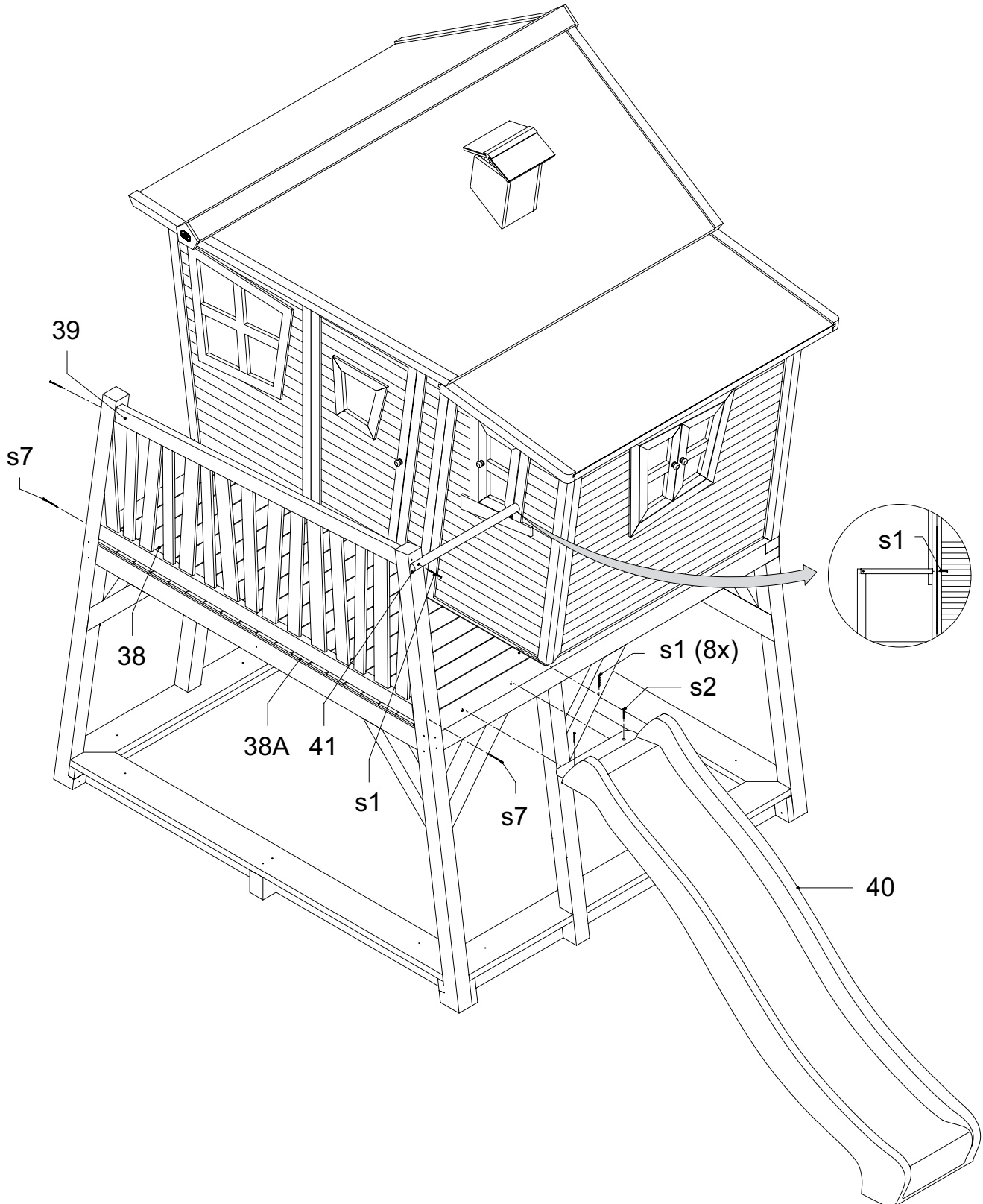




Max

38		39		40		41		s1	16x	s2	2x	s7	4x
38A													

A030.033.00 + A030.155.00 + A030.157.00



42	3x	43	7x	44	45	s1	34x	s5	4x

A030.155.00

